

FUSEHOLDERS & DISCONNECTORS FOR NH DC FUSE-LINKS





Photovoltaic fuseholder TL1-1/9/1000V/PV

General characteristics

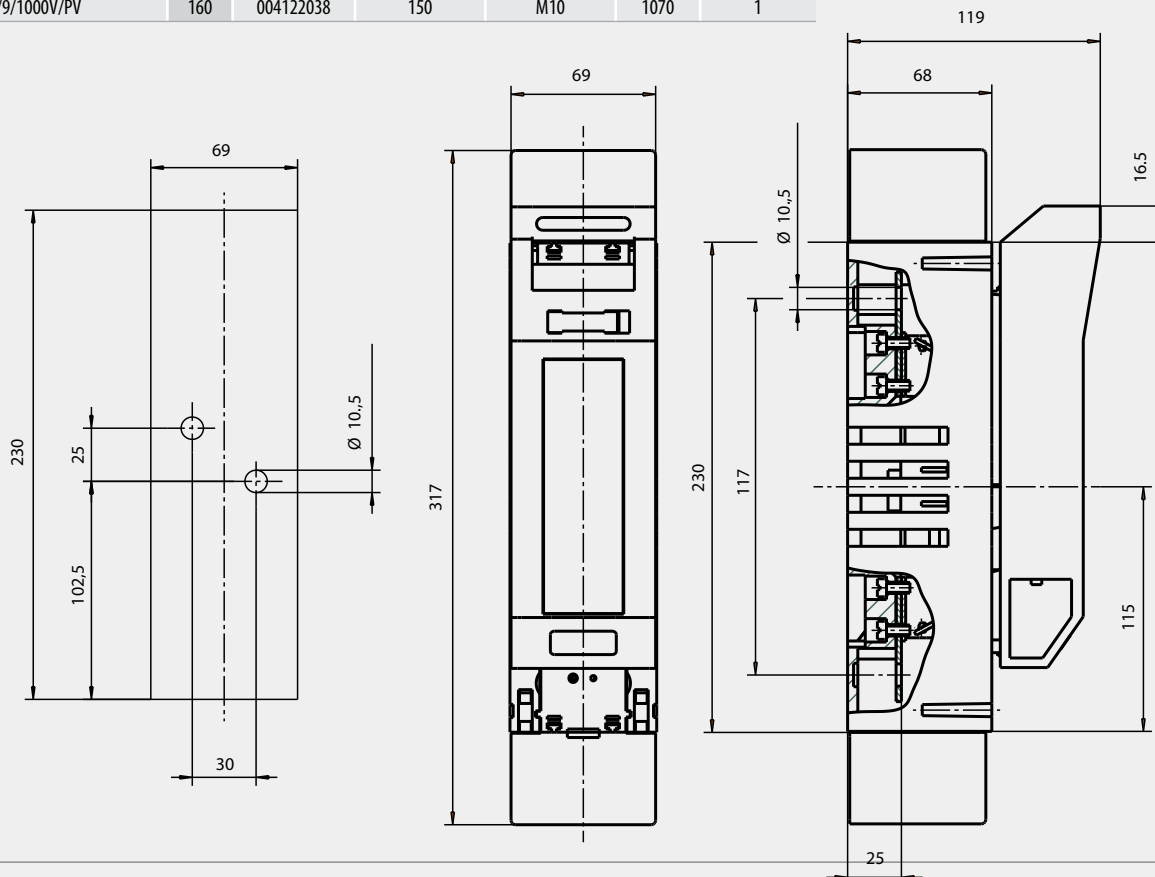
Number of poles	1	
Rated voltage	1000V d.c.	
Rated current	160A	
Conv. free air thermal current with fuse-links	160A	
Utilization category	DC-20B	
Fuse-links	Size to DIN 43620	1C, 1
	Max. rated current (gL/gG)	160A
	Max. permis. power loss per fuse-link	25W
Cable terminal - Flat terminal	Screw	M10
	Cable lug (DIN 46235)	25-240 mm ²
	Flat termination	30x10 mm
	Rated torque	30-35 Nm
Type of protection - front side, device fitted	IP20, IP10	
Operating conditions	Ambient temperature*	-25 ... +55
	Rated operating mode	Cont. operation
	Actuation	Dependent manual actuation
	Mounting position	Vertical, horizontal
	Altitude	≤ 2000 m
	Pollution degree	3
	Overvoltage category	III

*35°C normal temperature, 55°C with reduced operating current



Photovoltaic fuseholder TL1-1/9/1000V/PV

Type	I _n [A]	Code No.	Max. Connection (mm ²)	Terminal	Weight [g]	Packaging [pcs]
TL1-1/9/1000V/PV	160	004122038	150	M10	1070	1



Photovoltaic fuseholder TL1,3-1/9/1200V

General characteristics

Type		TL1/1200V	TL3/1200V
For NH fuse-links/extended length/acc. to DIN VDE 0636-2	Size	a1=194mm, a4=124mm	a1=209mm, a4=124mm
Rated voltage		1200V a.c. / 1000V d.c.	1200V a.c. / 1000V d.c.
Rated current		250A	630A
fuse link size		1XL	2XL, 3L
Conv. free air thermal current with fuse-links		250A	630A
Conv. free air thermal current with solid links		325A	1000A
Rated frequency		40-60 Hz	40-60Hz
Utilization category		AC-20B, DC-20B	AC-20B, DC-20B
Max. permis. power loss per fuse-link		25W	48W
Cable terminal - Flat terminal	Bolt diameter	M10	M12
	Cable lug (DIN 46235)	25-150 mm ²	25-300 mm ²
	Flat bar	30x10 mm	40x10 mm
	Rated torque	30-35 Nm	30-35 Nm
Type of protection - front side, device fitted	Switching cover close	IP20	IP20
	Switching cover open	IP10	IP10
Operating conditions	Ambient temperature*	-25 ... +55	
	Rated operating mode	Cont. operation	
	Actuation	Dependent manual operation	
	Mounting position	Vertical, horizontal	
	Altitude	≤ 2000 m	
	Pollution degree	3	
	Overvoltage category	III	

*35°C normal temperature, 55°C with reduced operating current

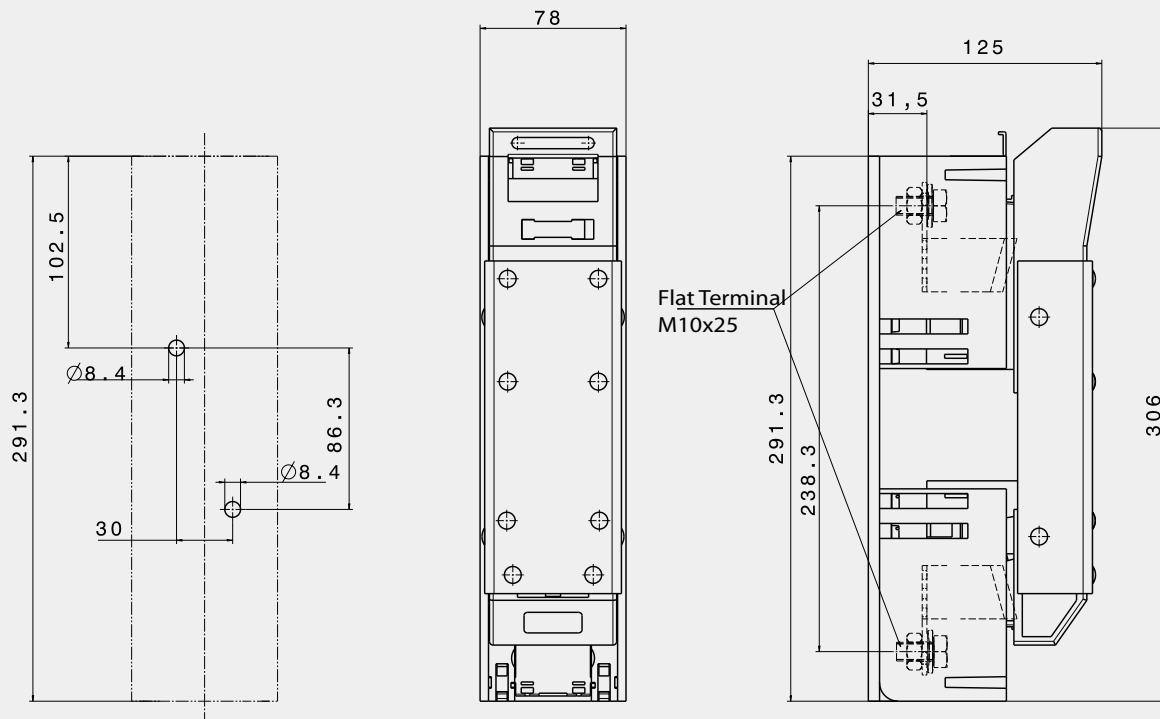
Photovoltaic fuseholder TL1,3-1/9/1200V

Type	I _n [A]	Code No.	Max. Connection (mm ²)	Terminal	Weight [g]	Packaging [pcs]
TL1-1/9/1200V	250	004122036	150	M10	1485	1
TL3-1/9/1200V	630	004122037	300	M12	2535	1

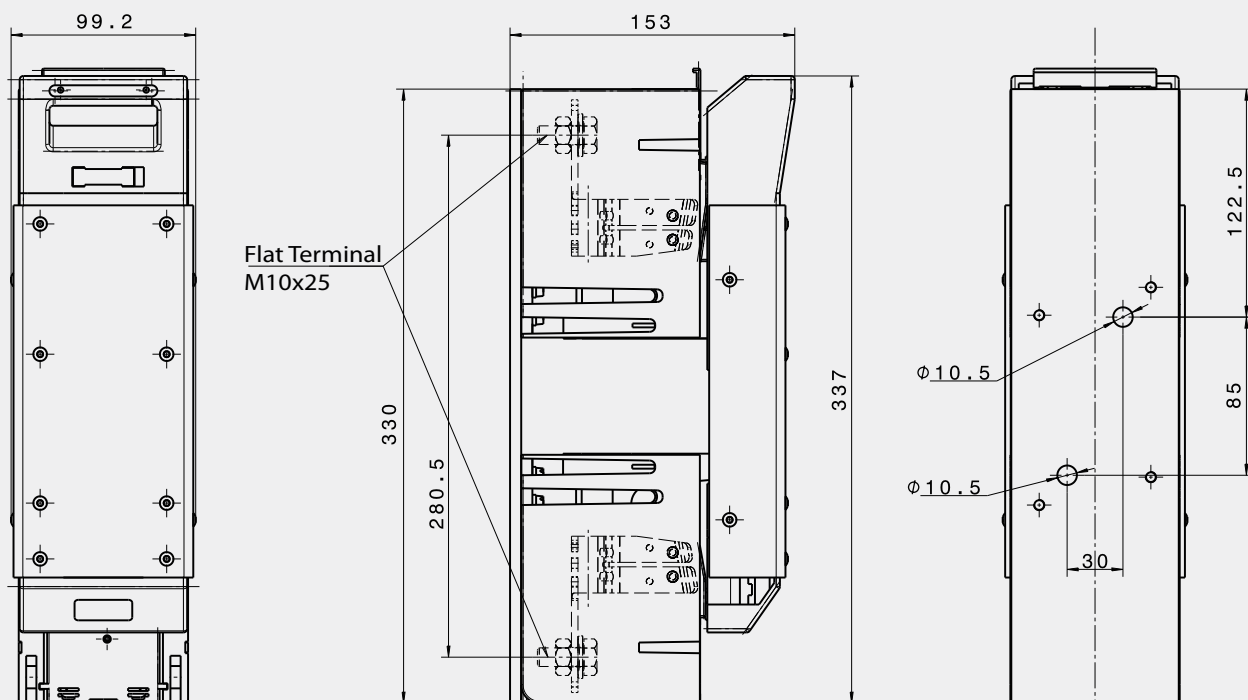




TL1-1/9/1200V



TL3-1/9/1200V



NH strip-fuseways L2,3-2/1200V

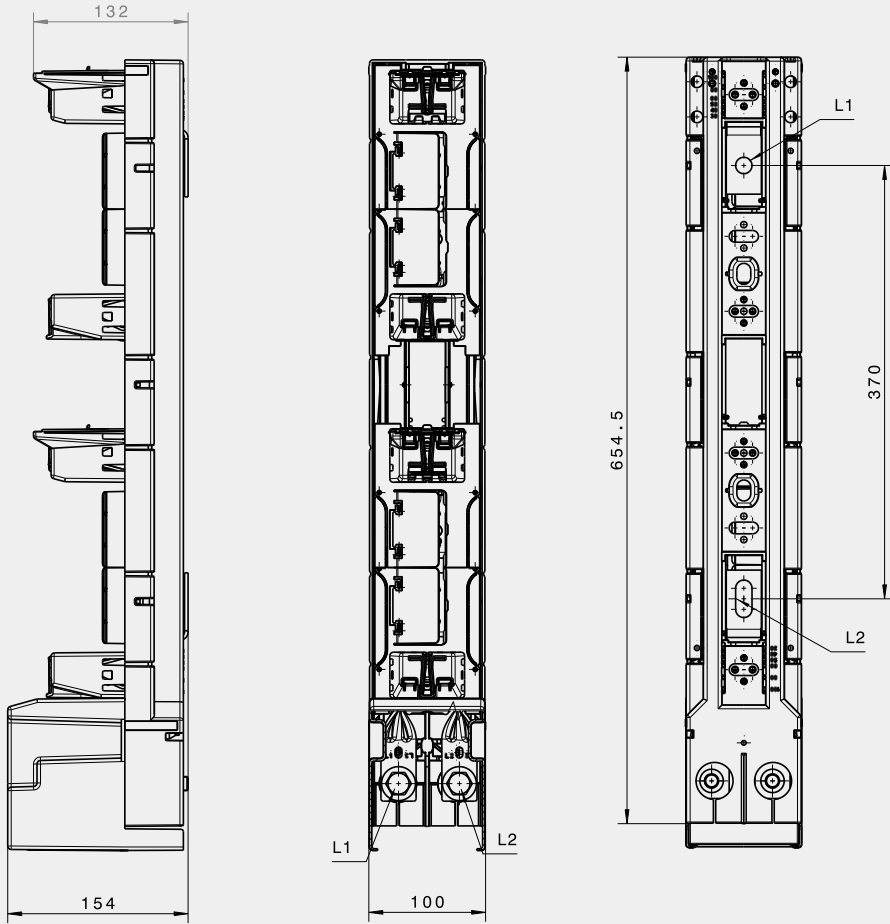
General characteristics			L2	L3
Type			L2	L3
For NH fuse-links acc. to IEC 60269-6	Size		2 (extended body)	3 (extended body)
Rated voltage			1200V d.c.	1200V d.c.
Rated current			250A	400A
fuse link size			1XL, 2XL	3L
Conv. free air thermal current with fuse-links			250A	400A
Rated insulation voltage			1200V d.c.	1200V d.c.
Max. permis. power loss per fuse-link			46W	75W
Cable terminal	Flat terminal	Bolt diameter	M12	M12
		Cable lug (DIN 46235)	1 x 25-240 mm ²	1 x 25-240 mm ²
		Flat bar	30x10 mm	30x10 mm
		Tightening torque	35-40 Nm	35-40 Nm
	Clamp KM2G	Clamping cross-section	25-150mm ² /185-300mm ²	25-150mm ² /185-300mm ²
		Tightening torque	32 Nm	32 Nm
	Clamp KM2G-F	Clamping cross-section	25-240 mm ²	25-240 mm ²
		Tightening torque	32 Nm	32 Nm
Type of protection - front side, device fitted - with front side strip cover			IP10	IP10
Operating conditions	Ambient temperature*		-25 ... +55	
	Rated operating mode		Cont. operation	
	Actuation		Dependent manual operation	
	Mounting position		Vertical	
	Altitude		≤ 2000 m	
	Pollution degree		3	
	Overvoltage category		III	

*35°C normal temperature, 55°C with reduced operating current

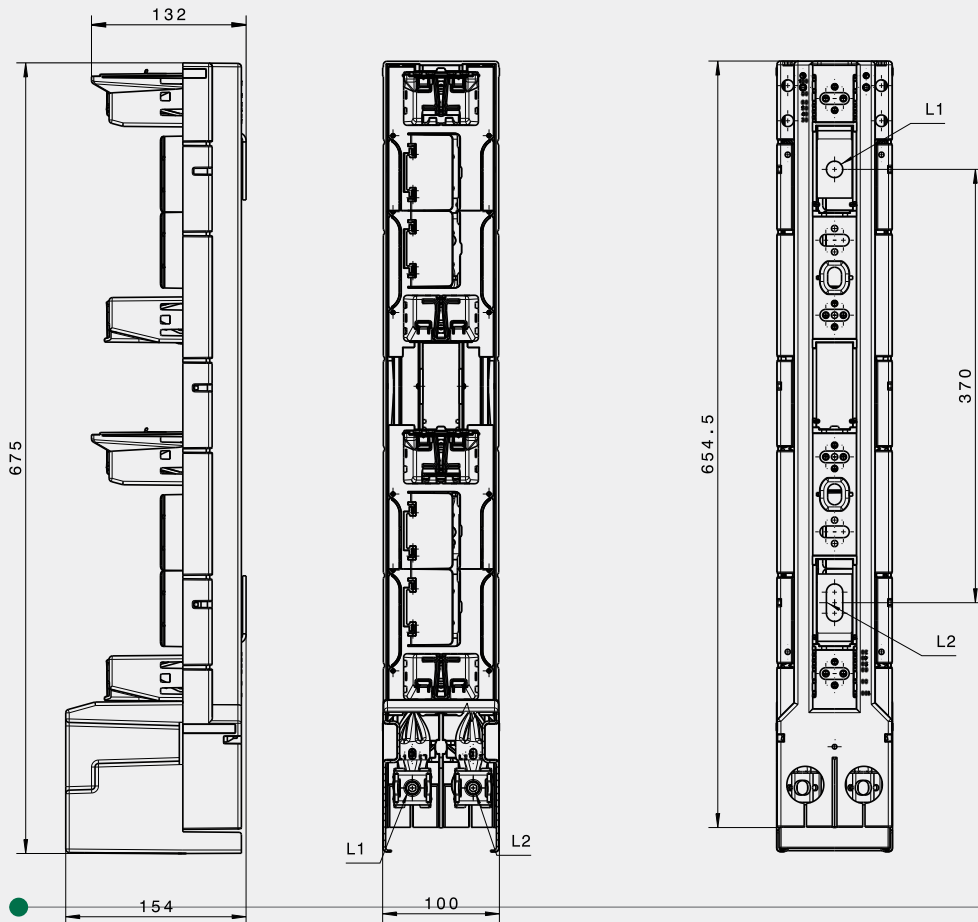
NH strip-fuseways L2,3-2/1200V						
Type	I _n [A]	Code No.	Max. Connection (mm ²)	Terminal	Weight [g]	Packaging [pcs]
L2-2/1200/3A/HA/PV	250	004122039	25-240	Flat terminal M12	3500	1
L2-2/1200/9/KM2G-F/HA/PV	250	004122040	25-240	Steel-frame clamp KM2G-F	3650	1
L3-2/1200/3A/HA/PV	400	004122041	25-240	Flat terminal M12	4110	1
L3-2/1200/9/KM2G-F/HA/PV	400	004122042	25-240	Steel-frame clamp KM2G-F	4260	1



Flat terminal M12



Steel-frame clamp KM2G-F



Horizontal fuse-switch disconnecter type KVL

General characteristics

Size			00						
Technical Characteristics									
Rated operational voltage	U_e	V	400 a.c.	500 a.c.	690 a.c.	800 a.c.	1000 a.c.	250 d.c.	1000 d.c.
Rated operational current*	I_e	A	160	160	160	63	160	160	160
Conv. free air thermal current with fuse-links*	I_{th}	A	160						
Conv. free air thermal current with solid-links*	I_{th}	A	210						
Rated frequency	f	Hz	40-60						
Rated insulation voltage	U_i	V	Baseplate mounting 1000 a.c., Busbar mounting 800 a.c.						
Total power loss (without fuse)	P_v	W	1Pole - 3W, 3Pole - 9W						
Power loss at 80% I_{th} (without fuse-links), **	P_v	W	1Pole - 1,9W, 3Pole - 5,8W						
Rated impulse withstand voltage	U_{imp}	kV	8						
Utilization category***			AC-23B	AC-22B	AC-21B	AC-21B	AC-20B	DC-22B	DC-20B
Rated conditional short-circuit current†****		kA	120 (500 a.c.), 100 (690 a.c.), 10 (800 a.c.), 35 (250 d.c.)						
Rated short-time withstand current	I_{cw}	kA	5/1s						
Fuse links									
Size - DIN VDE 0636-2	-	-	000/00						
Max. permissible power loss per fuse link	P_a	W	12						
Cable terminal									
Flat terminal-Screw			M8						
Tightening torque	M_a	Nm	12-15						
Clip terminal, Clamping cross-section		mm ²	(SP KVL00) Round conductor: 1,5-70 Cu, Strip conductor: 6 x 9 x 0,8 Cu						
Tightening torque	M_a	Nm	2,6						
Prism Clamp, Clamping cross-section		mm ²	(SP KVL00 P1) 10-70 Al/Cu, 35-95 Al/Cu						
Tightening torque	M_a	Nm	2,6						
Prism Clamp, Clamping cross-section		mm ²							
Tightening torque	M_a	Nm							
Frame clamp, Clamping cross-section		mm ²	1,5-95 Al/Cu, (Al 95: max. 125A),*****						
Torque	M_a	Nm	4,5						
Degree of Protection, front side device									
Front cover closed	-	-	IP20						
Front cover open	-	-	IP10						
With clamp- and lateral cover	-	-	IP2XC						
Operating condition									
Ambient temperature *****	T_{amb}	°C	-25 ... +55						
Operating condition	-	-	Continuous operation						
Mounting	-	-	vertical, horizontal						
Altitude	-	m	≤ 2000						
Pollution degree	-	-	3						
Overvoltage category	-	-	IV						
Endurance									
Mechanical cycles			1600						
Electrical cycles			200						

* Mounting of several units in low voltage switchgear-combinations, please think about rated diversity factors acc. to DIN EN 61439.

** Reference value for replacement of devices acc. to DIN EN 61439-1 clause 10.10.4.2.

*** minimum distance to earthed, conductive parts: Lateral: 20mm/Above: 50mm

**** Type tested with NH fuse-links characteristic gG

***** 35°C Normal temperature, at 55°C with reduced operating current

General characteristics										
Size			1							
Technical Characteristics										
Rated operational voltage	U_e	V	400 a.c.	500 a.c.	690 a.c.	800 a.c.	1000 a.c.	250 d.c.	440 d.c.#	1000 d.c.
Rated operational current*	I_e	A	250	250	250	250	250	250	250	250
Conv. free air thermal current with fuse-links*	I_{th}	A	250							
Conv. free air thermal current with solid-links*	I_{th}	A	350							
Rated frequency	f	Hz	40-60							
Rated insulation voltage	U_i	V	Baseplate mounting 1000 a.c., Busbar mounting 800 a.c.							
Total power loss (without fuse)	P_v	W	1Pole - 5W, 3Pole - 15W							
Power loss at 80% I_{th} (without fuse-links), **	P_v	W	1Pole - 3,2 W, 3Pole - 9,6 W							
Rated impulse withstand voltage	U_{imp}	kV	8							
Utilization category***			AC-23B	AC-22B	AC-21B	AC-21B	AC-20B	DC-22B	DC-21B	DC-20B
Rated conditional short-circuit current****		kA	120 (500 a.c.), 100 (690 a.c.), 10 (800 a.c.), 35 (440 d.c.)							
Rated short-time withstand current	I_{cw}	kA	8,6/1s							
Fuse links										
Size - DIN VDE 0636-2	-	-	1							
Max. permissible power loss per fuse link	P_a	W	23							
Cable terminal										
Flat terminal-Screw			M10							
Tightening torque	M_a	Nm	30-35							
Clip terminal, Clamping cross-section		mm ²	0(SP KVL1) Round conductor: 25-150 Cu, Strip conductor: 6 x 16 x 0,8 Cu0							
Tightening torque	M_a	Nm	9,5							
Prism Clamp, Clamping cross-section		mm ²	0(SP KVL1 P1) 10-150 Al/Cu0							
Tightening torque	M_a	Nm	4,5							
Prism Clamp, Clamping cross-section		mm ²	(SP KVL1 P2); 2 x (10-150) Al/Cu							
Tightening torque	M_a	Nm	4,5							
Frame clamp, Clamping cross-section		mm ²	35-150 Al/Cu							
Torque	M_a	Nm	12							
Degree of Protection, front side device										
Front cover closed	-	-	IP20							
Front cover open	-	-	IP10							
With clamp- and lateral cover	-	-	IP2XC							
Operating condition										
Ambient temperature *****	T_{amb}	°C	-25 ... +55							
Operating condition	-	-	Continuous operation							
Mounting	-	-	vertical, horizontal							
Altitude	-	m	≤ 2000							
Pollution degree	-	-	3							
Overvoltage category	-	-	IV							
Endurance										
Mechanical cycles			1600							
Electrical cycles			200							

* Mounting of several units in low voltage switchgear-combinations, please think about rated diversity factors acc. to DIN EN 61439.

** Reference value for replacement of devices acc. to DIN EN 61439-1 clause 10.10.4.2.

*** minimum distance to earthed, conductive parts: Lateral: 20mm/Above: 50mm

**** Type tested with NH fuse-links characteristic gG

***** 35°C Normal temperature, at 55°C with reduced operating current

3-pole only



General characteristics

Size		2							
Technical Characteristics									
Rated operational voltage	U_e	V	400 a.c.	500 a.c.	690 a.c.	1000 a.c.	250 d.c.	440 d.c.#	1000 d.c.
Rated operational current*	I_e	A	400	400	400	400	400	400	400
Conv. free air thermal current with fuse-links*	I_{th}	A	400						
Conv. free air thermal current with solid-links*	I_{th}	A	500						
Rated frequency	f	Hz	40-60						
Rated insulation voltage	U_i	V	Baseplate mounting 1000 a.c. , Busbar mounting 1000 a.c.						
Total power loss (without fuse)	P_v	W	1Pole - 9W, 3Pole - 28W						
Power loss at 80% I_{th} (without fuse-links), **	P_v	W	1Pole - 6 W, 3Pole - 17,9 W						
Rated impulse withstand voltage	U_{imp}	kV	8						
Utilization category***			AC-23B	AC-22B	AC-21B	AC-20B	DC-22B	DC-22B	DC-20B
Rated conditional short-circuit current****		kA	120 (500 a.c.), 100 (690 a.c.), 35 (440 d.c.)						
Rated short-time withstand current	I_{cw}	kA	15/1s						
Fuse links									
Size - DIN VDE 0636-2	-	-	2						
Max. permissible power loss per fuse link	P_a	W	34						
Cable terminal									
Flat terminal-Screw			M10						
Tightening torque	M_a	Nm	30-35						
Clip terminal, Clamping cross-section		mm ²	0(SP KVL2) Round conductor: 25-185 Cu , Strip conductor: 10 x 16 x 0,8 Cu0						
Tightening torque	M_a	Nm	23,0						
Prism Clamp, Clamping cross-section		mm ²	0(SP KVL2 P1) 120-240 Al/Cu0						
Tightening torque	M_a	Nm	11						
Prism Clamp, Clamping cross-section		mm ²	(SP KVL2 P2); 2 x (120-150) Al/Cu						
Tightening torque	M_a	Nm	11						
Frame clamp, Clamping cross-section		mm ²	95-300 Al/Cu						
Torque	M_a	Nm	20						
Degree of Protection, front side device									
Front cover closed	-	-	IP20						
Front cover open	-	-	IP10						
With clamp- and lateral cover	-	-	IP2XC						
Operating condition									
Ambient temperature *****	T_{amb}	°C	-25 ... +55						
Operating condition	-	-	Continuous operation						
Mounting	-	-	vertical, horizontal						
Altitude	-	m	≤ 2000						
Pollution degree	-	-	3						
Overvoltage category	-	-	IV						
Endurance									
Mechanical cycles			1000						
Electrical cycles			200						

* Mounting of several units in low voltage switchgear-combinations, please think about rated diversity factors acc. to DIN EN 61439.

** Reference value for replacement of devices acc. to DIN EN 61439-1 clause 10.10.4.2.

*** minimum distance to earthed, conductive parts: Lateral: 20mm/Above: 50mm

**** Type tested with NH fuse-links characteristic gG

***** 35°C Normal temperature, at 55°C with reduced operating current

3-pole only

General characteristics

Size			3							
Technical Characteristics										
Rated operational voltage	U_e	V	400 a.c.	500 a.c.	690 a.c.	800 a.c.	1000 a.c.	250 d.c.	440 d.c. [‡]	1000 d.c.
Rated operational current*	I_e	A	630	630	630	315	630	630	630	630
Conv. free air thermal current with fuse-links*	I_{th}	A	630							
Conv. free air thermal current with solid-links*	I_{th}	A	785							
Rated frequency	f	Hz	40-60							
Rated insulation voltage	U_i	V	Baseplate mounting 1000 a.c., Busbar mounting 1000 a.c.							
Total power loss (without fuse)	P_v	W	1Pole - 17W, 3Pole - 51W							
Power loss at 80% I_{th} (without fuse-links), **	P_v	W	1Pole - 10,9 W, 3Pole - 32,6 W							
Rated impulse withstand voltage	U_{imp}	kV	8							
Utilization category***			AC-23B	AC-22B	AC-21B	AC-21B	AC-20B	DC-22B	DC-22B	DC-20B
Rated conditional short-circuit current****		kA	120 (500 a.c.), 100 (690 a.c.), 10 (800 a.c.), 35 (440 d.c.)							
Rated short-time withstand current	I_{cw}	kA	15/1s							
Fuse links										
Size - DIN VDE 0636-2	-	-	3							
Max. permissible power loss per fuse link	P_a	W	48							
Cable terminal										
Flat terminal-Screw			M10 / M12							
Tightening torque	M_a	Nm	30-35							
Clip terminal, Clamping cross-section		mm ²	(SP KVL3) Strip conductor: 11 x 21 x 1 Cu							
Tightening torque	M_a	Nm	23							
Prism Clamp, Clamping cross-section		mm ²	(SP KVL3 P1); 120-300 Al/Cu							
Tightening torque	M_a	Nm	11							
Prism Clamp, Clamping cross-section		mm ²	(SP KVL3 P2); 2 x (120-240) Al/Cu							
Tightening torque	M_a	Nm	11							
Frame clamp, Clamping cross-section		mm ²	95-300 Al/Cu							
Torque	M_a	Nm	20							
Degree of Protection, front side device										
Front cover closed	-	-	IP20							
Front cover open	-	-	IP10							
With clamp- and lateral cover	-	-	IP2XC							
Operating condition										
Ambient temperature *****	T_{amb}	°C	-25 ... +55							
Operating condition	-	-	Continuous operation							
Mounting	-	-	vertical, horizontal							
Altitude	-	m	≤ 2000							
Pollution degree	-	-	3							
Overvoltage category	-	-	IV							
Endurance										
Mechanical cycles			1000							
Electrical cycles			200							

* Mounting of several units in low voltage switchgear-combinations, please think about rated diversity factors acc. to DIN EN 61439.

** Reference value for replacement of devices acc. to DIN EN 61439-1 clause 10.10.4.2.

*** minimum distance to earthed, conductive parts: Lateral: 20mm/Above: 50mm

**** Type tested with NH fuse-links characteristic gG

***** 35°C Normal temperature, at 55°C with reduced operating current

[‡] 3-pole only



3-pole, Baseplate mounting

Size	Code No.	Type	Weight [kg]	Packaging [pcs]
00	001690870	KVL-00 3p M8-M8	0,63	1
	001690871	KVL-00 3p BC95-BC95	0,67	1
1	001690872	KVL-1 3p M10-M10	2,03	1
3	001690874	KVL-3 3p M10-M10	3,95	1



BC95-BC95



3-pole, Baseplate mounting, LED indication

Size	Code No.	Type	Weight [kg]	Packaging [pcs]
00	001690880	KVL-00 3p M8-M8 LED	0,66	1
	001690881	KVL-00 3p BC95-BC95 LED	0,8	1
1	001690882	KVL-1 3p M10-M10 LED	2,06	1
3	001690884	KVL-3 3p M10-M10 LED	3,92	1

1-pole, Baseplate mounting

Size	Code No.	Type	Weight [kg]	Packaging [pcs]
00	001690890	KVL-00 1p M8-M8	0,31	2
1	001690891	KVL-1 1p M10-M10	0,93	1
3	001690892	KVL-3 1p M10-M10	1,57	1



2-pole, Baseplate mounting

Size	Code No.	Type	Weight [kg]	Packaging [pcs]
00	001690895	KVL-00 2p M8-M8	0,72	1
1	001690896	KVL-1 2p M10-M10	1,88	1
3	001690897	KVL-3 2p M10-M10	3,19	1



4-pole, Baseplate mounting

Size	Code No.	Type	Weight [kg]	Packaging [pcs]
00	001690900	KVL-00 4p M8-M8	1,19	1
1	001690901	KVL-1 4p M10-M10	2,91	1
3	001690902	KVL-3 4p M10-M10	5,76	1





Accessories

Type	Code No.	Description	Packaging [pcs]
SP KVL00	001692701	Clip terminal, 1,5 – 70 mm ² Cu	set=3
SP KVL1	001692702	Clip terminal, 25– 150 mm ² Cu	set=3
SP KVL2	001692703	Clip terminal, 25– 240 mm ² Cu	set=3
SP KVL3	001692704	Clip terminal, 11x21 mm ² Cu	set=3
SP KVL00 P1	001692760	Prism clamp, 10 – 70 mm ² Al/Cu	set=3
SP KVL1 P1	001692761	Prism clamp, 70 – 150 mm ² Al/Cu	set=3
SP KVL2 P1	001692762	Prism clamp, 120 – 240 mm ² Al/Cu	set=3
SP KVL3 P1	001692763	Prism clamp, 120 – 300 mm ² Al/Cu	set=3
SP KVL1 P2	001692764	Prism clamp for 2-conductors connection, 2x70 – 95 mm ² Al/Cu	set=3
SP KVL2 P2	001692765	Prism clamp for 2-conductors connection, 2x120 – 150 mm ² Al/Cu	set=3
SP KVL3 P2	001692766	Prism clamp for 2-conductors connection, 2x120 – 240 mm ² Al/Cu	set=3
SP KVL-1 V	001690940	Frame clamp, 35-150mm ² Al/Cu	set=3
SP KVL-23 V	001690941	Frame clamp, 95-300mm ² Al/Cu	set=3
SP KVL-00 FC95	001690942	Feeding clamp, 25-95mm ² Cu/Al, isolated, terminal M8,*	set=3
I22 KVL-00 3p	001690943	Phase busbars, 2 x 3pole KVL-00 50mm ²	5
I23 KVL-00 3p	001690944	Phase busbars, 3 x 3pole KVL-00 50mm ²	5
I24 KVL-00 3p	001690945	Phase busbars, 4 x 3pole KVL-00 50mm ²	3
I25 KVL-00 3p	001690946	Phase busbars, 5 x 3pole KVL-00 50mm ²	3
MST KVL-00 1p	001690947	Switch position indicator, 1-pole, size 00, **	1
MST KVL-00 3p	001690948	Switch position indicator, 3-pole, size 00, **	1
MST KVL-123 1p/2p/3p	001690949	Switch position indicator, 1/2/3 -pole, size 1, 2, 3, **	1
MFM KVL-00 1p/2p/3p	001690950	Mechanical fuse monitor, size 00, **	3
MFM KVL-123 1p/2p/3p	001690951	Mechanical fuse monitor, size 1, 2, 3, **, ****	3
PRS KVL-00 3p L	001690952	Terminal cover, 3-pole, variable to open, Length 66mm, size 00	2
PRS KVL-00 3p S	001690953	Terminal cover, 3-pole, variable to open, Length 36mm, size 00	2
PRS KVL-1 3p	001690954	Terminal cover, 3-pole, variable to open, Length 42mm, size 1	2
PRS KVL-2 3p	001690955	Terminal cover, 3-pole, variable to open, Length 42mm, size 2	2
PRS KVL-3 3p	001690956	Terminal cover, 3-pole, variable to open, Length 42mm, size 3	2
PRS KVL-00 1p L	001690957	Terminal cover, 1-pole, variable to open, Length 66mm, size 00	2
PRS KVL-00 1p S	001690958	Terminal cover, 1-pole, variable to open, Length 36mm, size 00	2
PRS KVL-1 1p	001690959	Terminal cover, 1-pole, variable to open, Length 42mm, size 1	2
PRS KVL-3 1p	001690960	Terminal cover, 1-pole, variable to open, Length 42mm, size 3	2
DIN KVL-00 100-150	001690964	DIN rail fixing parts, For mounting on DIN rails, size 00	1
DIN KVL-1 100-150	001690965	DIN rail fixing parts, For mounting on DIN rails, size 1	1
EFMU KVL-00 3p	001690966	Electronic fuse monitoring unit, 3-pole, size 00, ****	1
EFMU KVL-1 3p	001690967	Electronic fuse monitoring unit, 3-pole, size 1, ****	1
EFMU KVL-2 3p	001690968	Electronic fuse monitoring unit, 3-pole, size 2, ****	1
EFMU KVL-3 3p	001690969	Electronic fuse monitoring unit, 3-pole, size 3, ****	1
MPFMU KVL-00 3p	001690974	Elektromechanical fuse monitoring unit (AM), 3-pole, size 00, ****	1
MPFMU KVL-1 3p	001690975	Elektromechanical fuse monitoring unit (AM), 3-pole, size 1, ****	1
MPFMU KVL-2 3p	001690976	Elektromechanical fuse monitoring unit (AM), 3-pole, size 2, ****	1
MPFMU KVL-3 3p	001690977	Elektromechanical fuse monitoring unit (AM), 3-pole, size 3, ****	1
CK KVL-00 2p/4p	001690970	Connecting kit 2- and 4-pole, For making of 2- and 4-pole disconnectors, size 00	1
CK KVL-123 2p/4p	001690971	Connecting kit 2- and 4-pole, For making of 2- and 4-pole disconnectors, size 1, 2, 3	1
LP KVL-00123	001690972	Interlock device, locking with padlock, diameter 6mm max., size 00, 1, 2, 3	10
IC KVL-00123	001690973	Contact cover interlock, only be operated by tool, size 00-3	10

* Feeding clamp, AC690V/DC1000V-250A

** 1 Changeover, AC250V, 10/3A (ohmic/ind.)

*** Only in combination with ETI fuse-links with striker-pin; not in combination with frame-clamp or 2-wire-prism clamp.

**** For monitoring of fuse-links with live gripping lugs



SP KVL



SP KVL...P1



DIN KVL-00 100-150



SP KVL-1 V



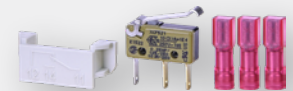
SP KVL-23 V



SP KVL-00 FC95



I22 KVL-00 3p



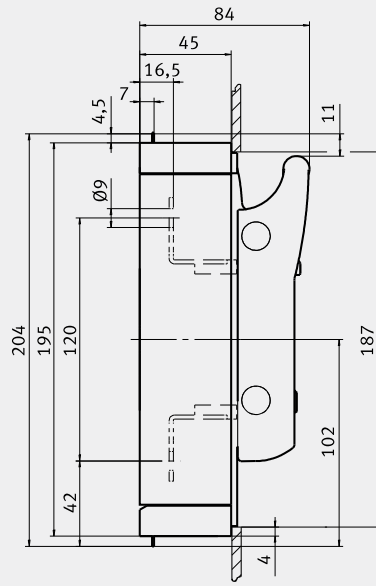
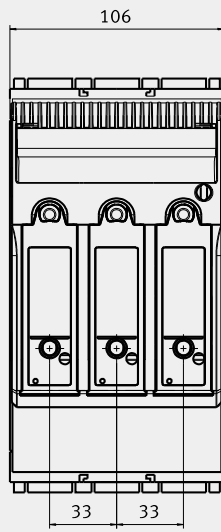
MST KVL- ...



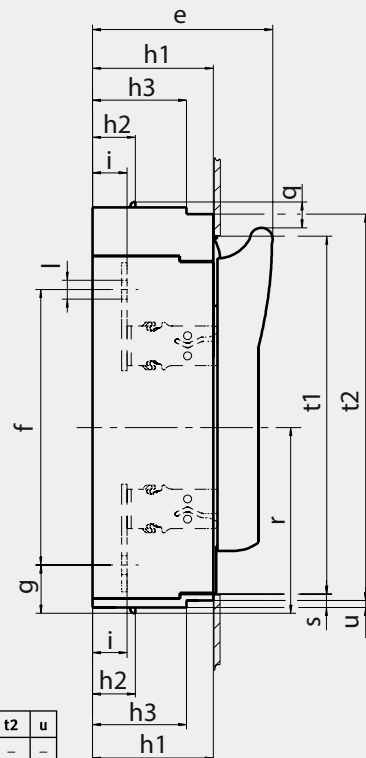
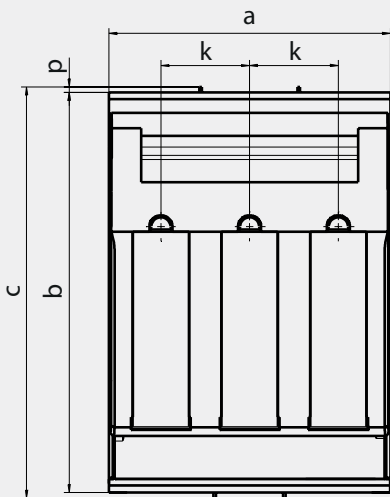
MFM KVL-123 1p 2p 3p



PRS KVL-... 3p

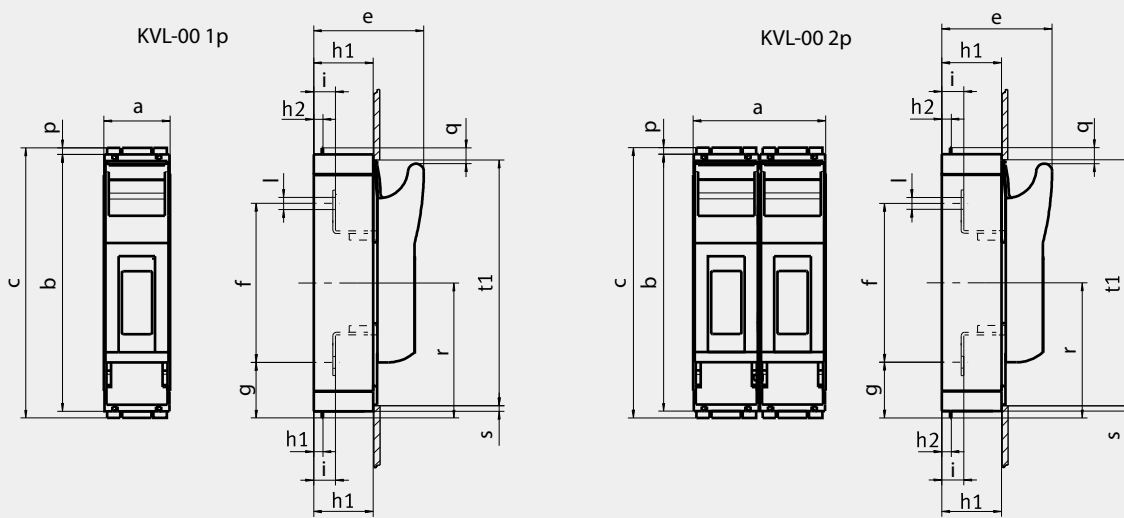


KVL-00 3p M8-M8
KVL-00 3p BC95-BC95
KVL-00 3p M8-M8 LED
KVL-00 3p BC95-BC95 LED



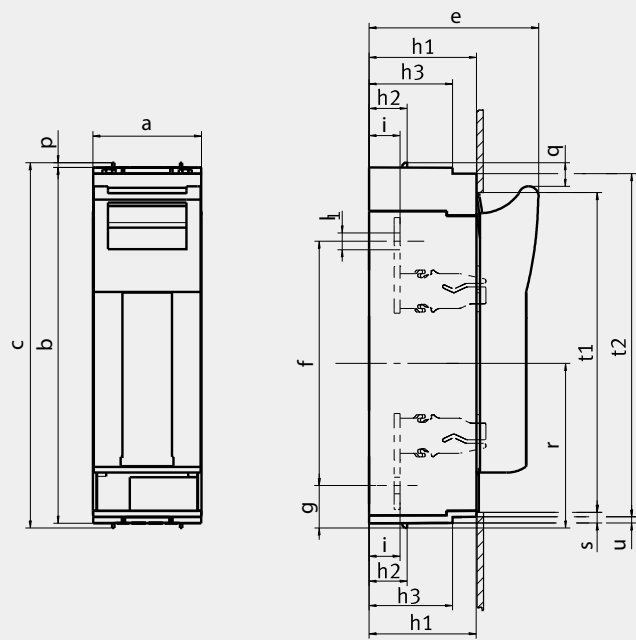
	a	b	c	e	f	g	h1	h2	h3	i	k	l	p	q	r	s	t1	t2	u
KVL-1 3p M10-M10 (LED)	184	298	306	117	185	46	70	32	-	25	58	Ø10,5	4	19	138	5	272	-	-
KVL-2 3p M10-M10 (LED)	210	298	306	134	205	36	90	32	70	26	66	Ø14	4	19	138	10	268	288	5
KVL-3 3p M10-M10 (LED)	250	298	306	143	205	36	90	32	70	26	82	Ø14	4	19	138	10	268	288	5

NH fuse - disconnectors

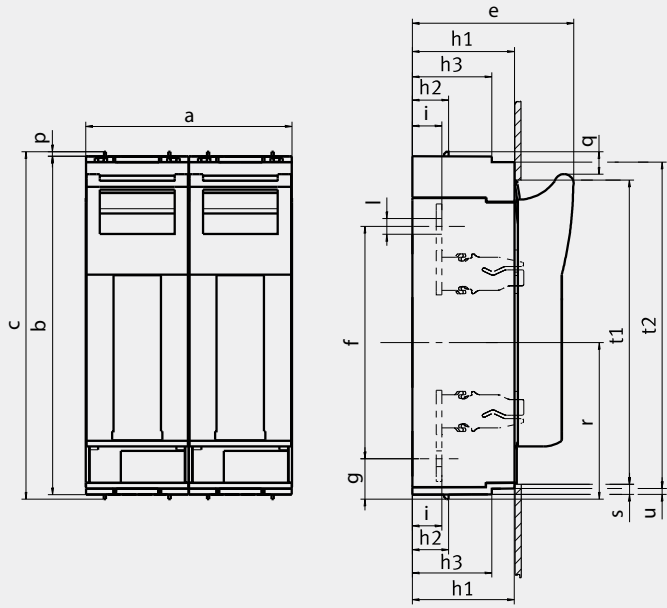


	a	b	c	e	f	g	h1	h2	h3	i	l	p	q	r	s	t1
KVL-00 1p M8-M8	50	195	204	84	120	42	45	7	-	16,5	Ø9	4,5	12	102	5	187
KVL-00 2p M8-M8	100	195	204	84	120	42	45	7	-	16,5	Ø9	4,5	12	102	5	187

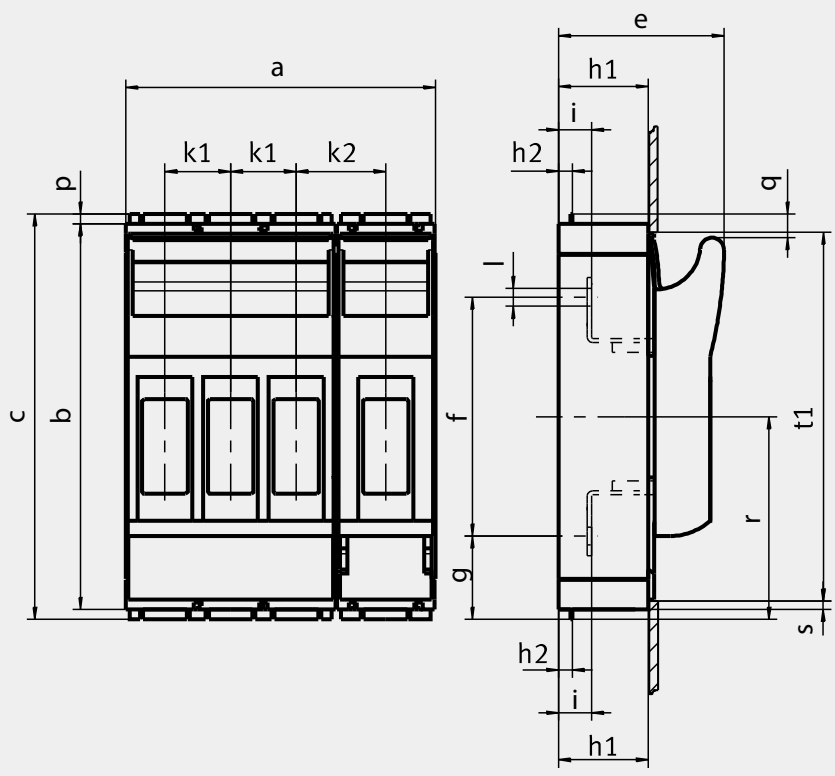
NH fuse - disconnectors



	a	b	c	e	f	g	h1	h2	h3	i	l	p	q	r	s	t1	t2	u
KVL-1 1p M10-M10	69	298	306	117	185	46	70	32	-	25	Ø10,5	4	19	138	5	272	-	-
KVL-3 1p M10-M10	91	298	306	143	205	36	90	32	70	26	Ø14	4	19	138	10	268	288	5

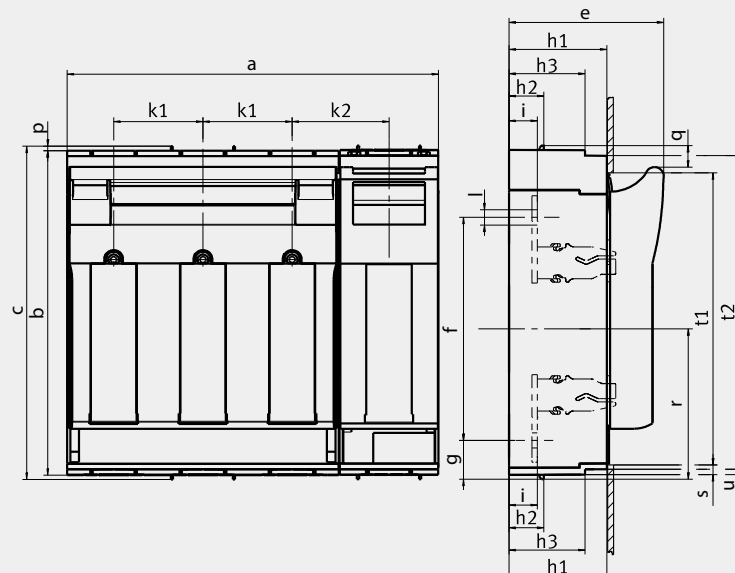


	a	b	c	e	f	g	h1	h2	h3	i	l	p	q	r	s	t1	t2	u
KVL-1 2p M10-M10	138	298	306	117	185	46	70	32	-	25	∅10,5	4	19	138	5	272	-	-
KVL-3 2p M10-M10	182	298	306	143	205	36	90	32	70	26	∅14	4	19	138	10	268	288	5



NH fuse - disconnectors





	a	b	c	e	f	g	h1	h2	h3	k1	k2	i	l	p	q	r	s	t1	t2	u
KVL-1 4p	254	298	306	117	185	46	70	32	-	58	69	25	Ø10,5	4	19	138	5	272	-	-
KVL-3 4p	341,5	298	306	143	205	36	90	32	70	82	89	26	Ø14	4	19	138	10	268	288	5

Technical data - Feeding clamps

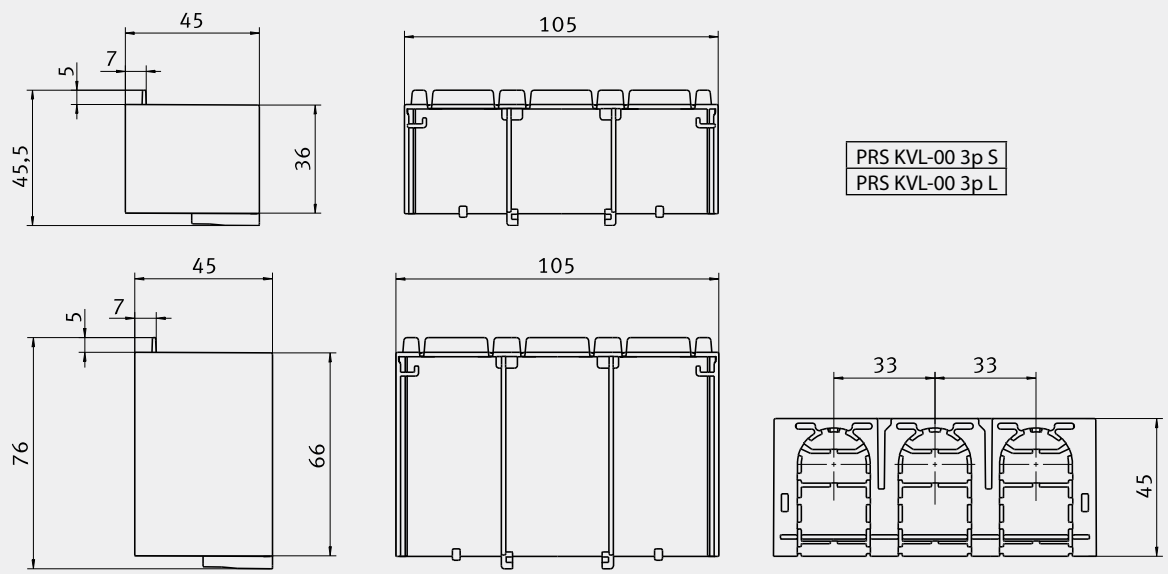
Technical Characteristics			
Max. electrical load			690V a.c. / 1000V d.c. -250A
Heat deflection temp.			125°C UL94: V0
Comparative tracking index			600
Cross sections			
Conductor - Max. Diameter Ø14 mm			
single wire		mm ²	25 - 95
multi wire		mm ²	25 - 95
fine wire (with end sleeve)		mm ²	25 - 70
Torque	Ma	Nm	13
Degree of protection			IP20
Regulations			EN 60998-1:2004; EN 60998-2:2004; EN 60999-1:2000; EN 60999-2:2003

Important

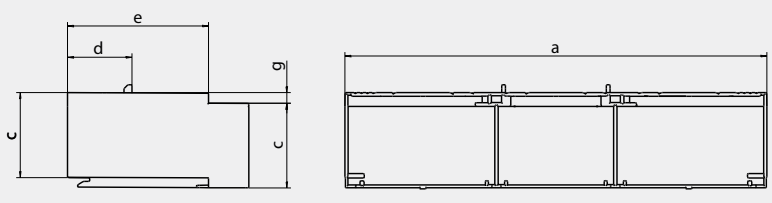
This Terminal is suitable for Al and Cu conductors. Please pay attention to the common handling guidelines when connecting the Aluminium conductors. Clean and brush the contact surfaces and lubricate them with an appropriate grease.

Technical data - Phase busbars

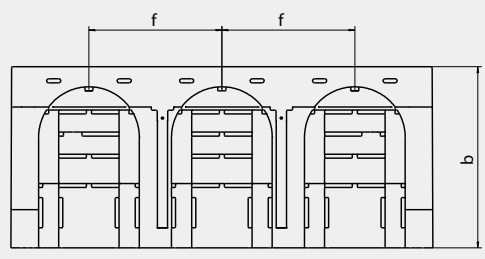
Technical Characteristics			
		mm ²	50
Impulse voltage strenght		kV	≥8,5
Min. air distance		mm	>8
Min. creeping distance		mm	>9
Max. operating voltage		V	AC690
Protection class			IP20
Short circuit rating			$I_{PK} = 25kA/0,1s$, Surge energy capacity $I_{PK} I_{CC} 100kA - NH3 355A gG 500V$
Dielectric strenght		kV/mm	≥32
Capacity at 35°C ambient temperature depending of feeding point cross section		mm ²	50
Busbar lenght		mm	Max. 300
Feeding at beginning/ending			
Max. current Is /Phase		A	250
Connection cross current		mm ²	95
Other feedings			
Max. feeding current Ie /Phase		A	250
Connection cross current		mm ²	95
Insulation coordination			III / 2
Regulations			IEC 60947-1:2007



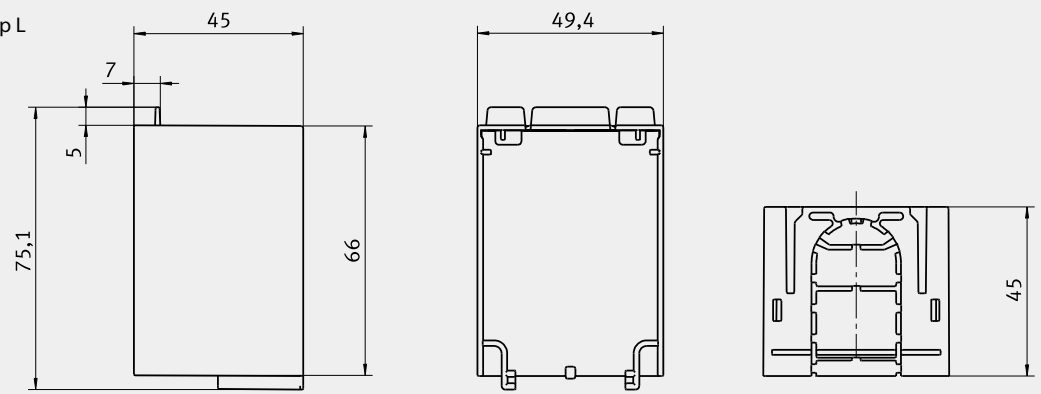
PRS KVL-00 3p S
PRS KVL-00 3p L



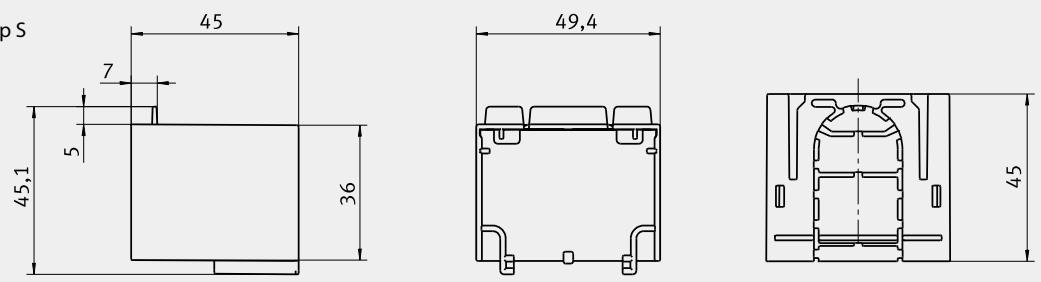
	a	b	c	d	e	f	g
PRS KVL-1 3p	184	70	42	32	-	58	-
PRS KVL-2 3p	210	90	42	32	70	66	5
PRS KVL-3 3p	250	90	42	32	70	82	5



PRS KVL-00 1p L



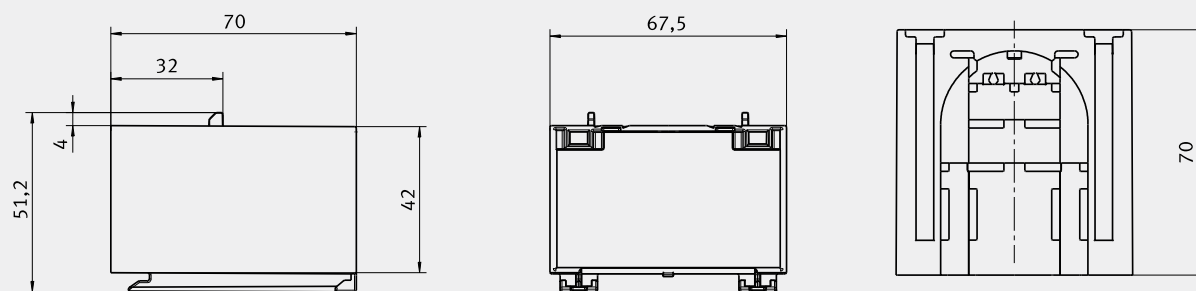
PRS KVL-00 1p S



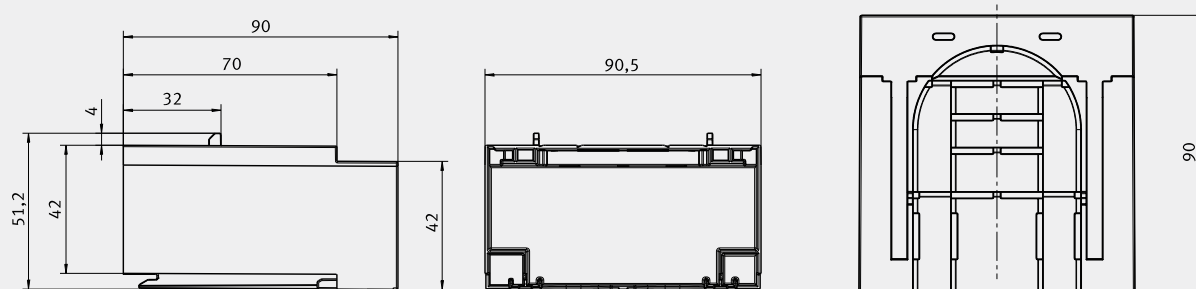
NH fuse - disconnectors



PRS KVL-1 1p



PRS KVL-3 1p

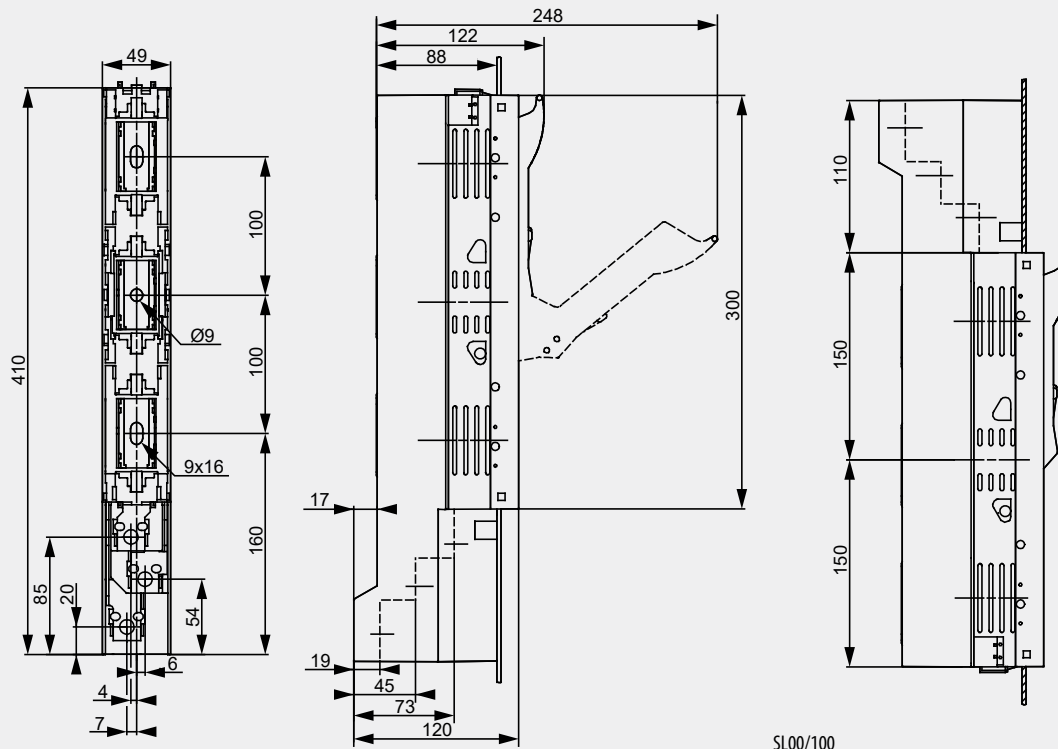


Fuse-switch disconnecter type SL 800V

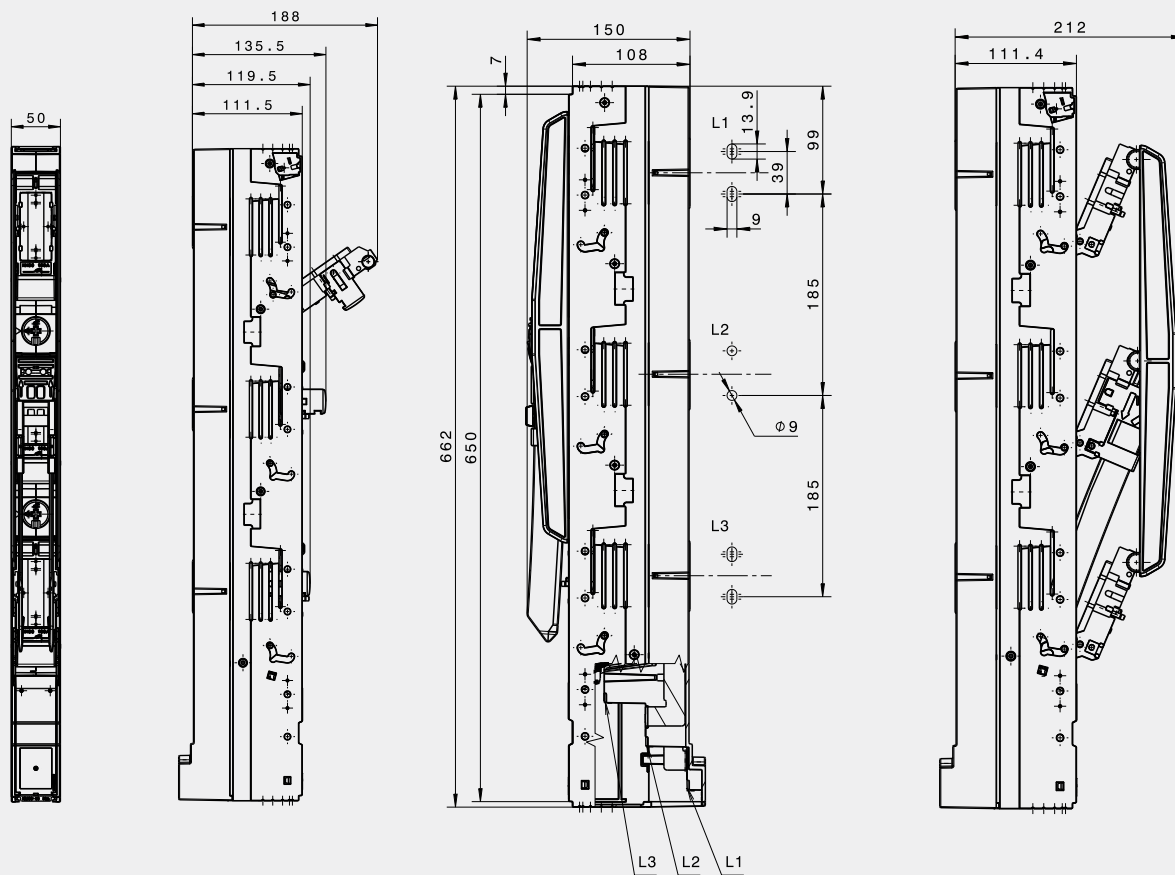
General characteristics			SL00/100	SL00/185	SL1	SL3
Size						
Technical Characteristics						
Rated operational voltage	U_e	V	800 a.c.	800 a.c.	800 a.c.	800 a.c.
Rated operational current	I_e	A	63	63	160	315
Rated frequency	f	Hz	40-60	40-60	40-60	40-60
Rated insulation voltage	U_i	V	800 a.c.	800 a.c.	800 a.c.	800 a.c.
Total power loss at I_{th} (without fuse)	P_v	W	18	23	23	115
Utilisation category			AC-21B (160A/800V)	AC-21B (160A/800V)	AC-21B (250A/800V)	AC-21B (315A/800V)
Fuse links						
Size - DIN 43620, IEC 60269-2	-	-	000/00		1	3
Max. permissible power loss per fuse link	P_a	W	12		32	48
Dimensions						
Mass	-	kg	100mm=1,40	185mm=2,40	4,9	5,6
Bubars (distance)	-	mm	100	185	185	48
Cable connection						
Screw			M8		M10	M12
Protection						
Operational state	-	-	IP30		IP30	IP30
Cover open	-	-	IP10		IP10	IP10
Operating condition						
Ambient temperature	T_{amb}	°C	-25 ... +55		-25 ... +55	-25 ... +55
Operating condition	-	-	Continuous operation			
Mounting	-	-	vertical, horizontal			
Altitude	-	m	≤ 2000			
Pollution degree	-	-	3			
Overvoltage category	-	-	III	III	III	III

SL 800V						
Size	Code No.	Busbar system	Type	Connection description	Weight [kg]	Packaging [pcs]
00	001690860	100	SL00/100 3P M8 800AC	flat connection – screw M8	0,85	1
	001690861	185	SL00 3P M8 800AC	flat connection – screw M8	1,79	1
1	001690862	185	SL1 3P M10 800AC	flat connection – screw M10	4,66	1
3	001690863	185	SL3 3P M12 800AC	flat connection – screw M12	5,48	1

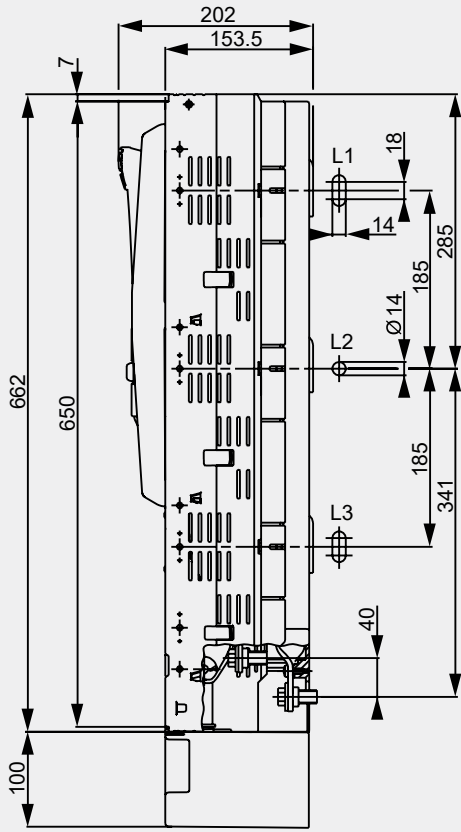




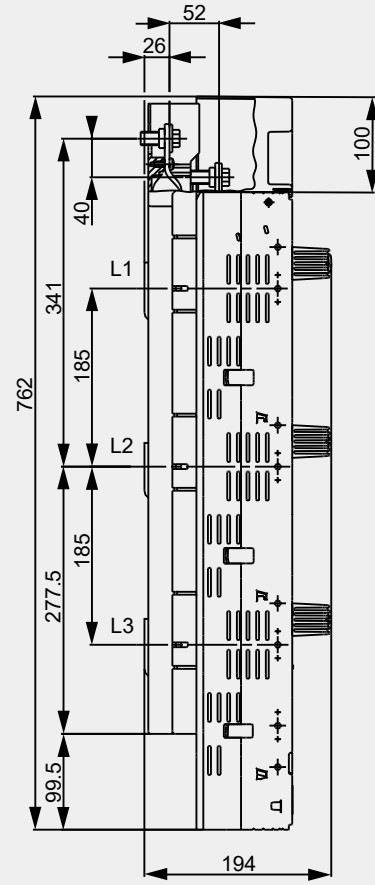
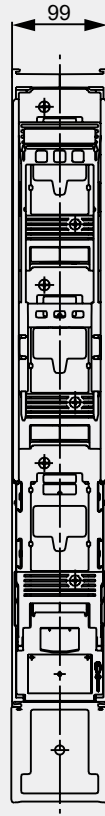
SL00/100



SL00/185



SL1, SL3



NH handle

NH handle for fuse link DC 1100V and DC 1500V

Code	Type	Weight [g]	Packaging [pcs]
001691062	GPN 1500	590	1

