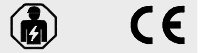
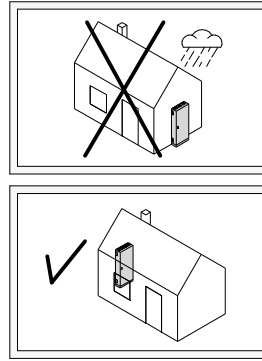


HXS300 X-Y

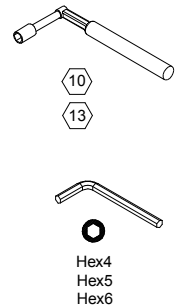
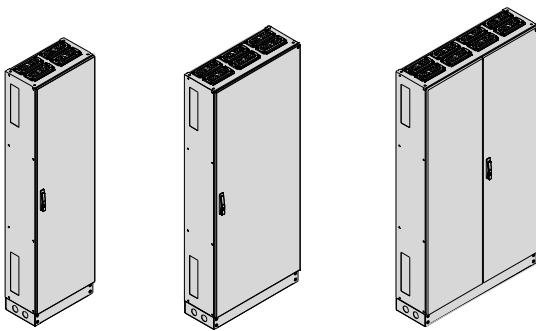


- (GB) Mounting instructions
- (DE) Montageanleitung
- (SI) Navodilo za montažo
- (PL) Instrukcje montażu
- (HR) Upute za montažu
- (CZ) Montážní návod
- (SK) Navod na montáž
- (HU) Szerelési utmutató
- (LT) Montavimo instrukcija
- (RU) Инструкция за монтаж
- (LV) Montāžas instrukcija
- (EST) Paigaldusjuhend



ETI Elektroelement d.o.o.
 Obrezija 5, 1411 Izlake, Slovenia
 Phone: +386(0)3 56 57 570
 Fax: +386(0)3 56 74 077
 e-mail: eti@eti.si
 www.etigroup.eu

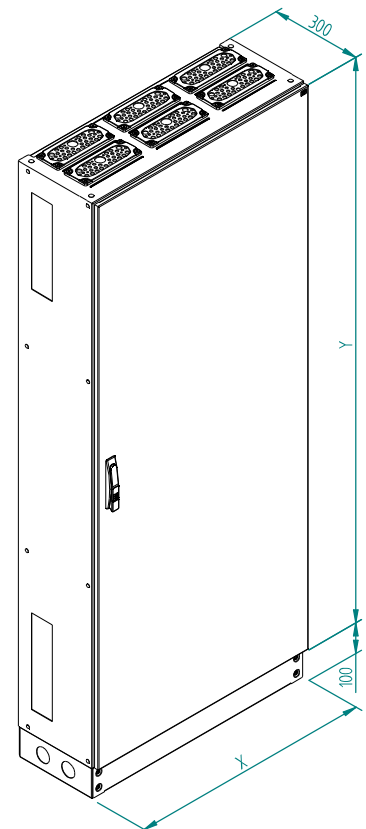
HXS300 2-12 PH1 HXS300 3-12 PH1 HXS300 4-12 PH1
 001325102 001325103 001325104

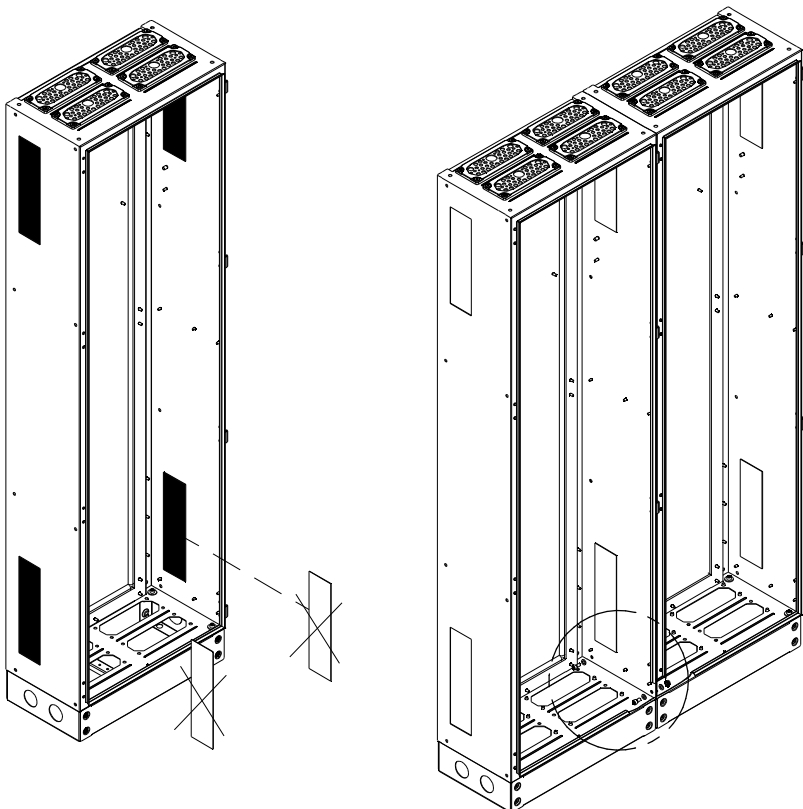
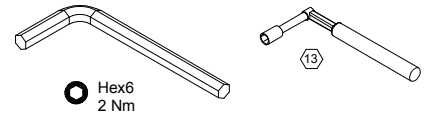
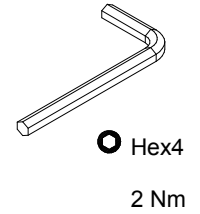
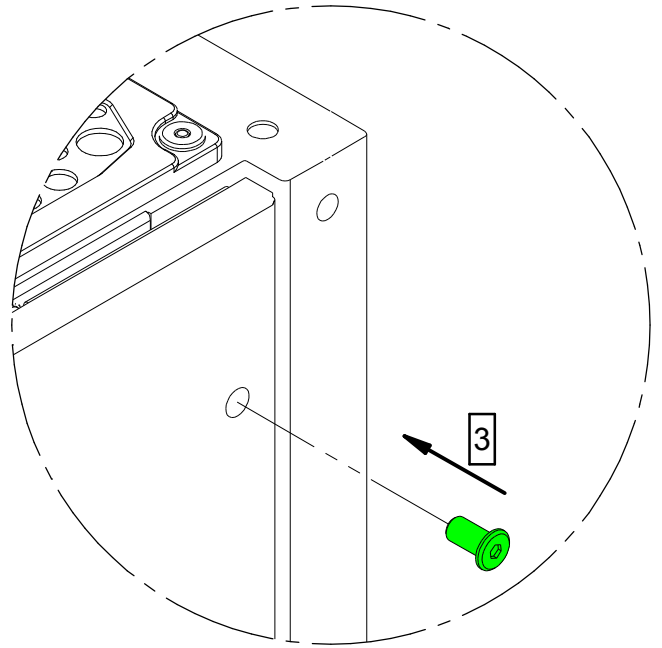
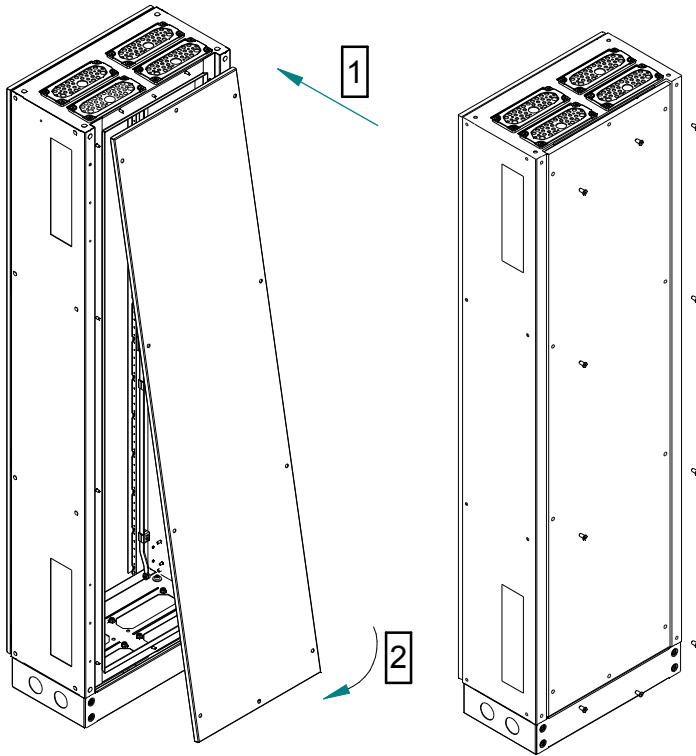


| No. | Code No | Name | Page |
|-----|-----------|-------------|--------------------|
| 1 | | HXS300 | 1-4 |
| 2 | 001336910 | PH1 D3 -W2 | 5 |
| 3 | 001336912 | PH1 D3 -W3 | 5 |
| 4 | 001336914 | PH1 D3 -W4 | 5 |
| 5 | 001338201 | UW-BCU 23 | 6 |
| 6 | 001338206 | UW-BCR 3 | 8 |
| 7 | | WP-A | 11 |
| 8 | | WP-T | 14 |
| 9 | 001338215 | CR-A | 14 |
| 10 | 001338302 | UW-SEP 3 | 16 |
| 11 | 001101677 | EP-W | 17 |
| 12 | 001338306 | EP-A | 19 |
| 13 | 001338900 | BL-WP 2 | 21 |
| 14 | 001338901 | BL-WP 3 | 21 |
| 15 | 001338102 | UA-B | 23, 34, 35, 39, 40 |
| 16 | 001338103 | UA-B-WD | 24, 39 |
| 17 | 001338104 | UA-S | 25, 35, 40 |
| 18 | 001338115 | UR-B | 26, 36, 37, 41, 42 |
| 19 | 001338116 | UR-B-WD | 27, 41 |
| 20 | 001338117 | UR-S | 28, 37, 42 |
| 21 | 001338130 | BL-UA 2 | 29, 35, 40 |
| 22 | 001338131 | BL-UA 3 | 29, 35, 40 |
| 23 | 001338132 | BL-UA 4 | 29, 35, 40 |
| 24 | 001338145 | BL-UR 2 | 30, 37, 42 |
| 25 | 001338146 | BL-UR 3 | 30, 37, 42 |
| 26 | 001338147 | BL-UR 4 | 30, 37, 42 |
| 27 | 001338160 | BU-PM | 31, 35, 37 |
| 28 | 001338161 | BU-WD | 32, 40, 42 |
| 29 | | PM-G | 33-37 |
| 30 | 001338864 | WD-K 12 | 38-42 |
| 31 | 001341800 | UD-B60-H P1 | 43 |
| 32 | 001341802 | UD-B60-H P3 | 44 |
| 33 | 001341803 | UD-B60-H P4 | 45 |
| 34 | 001340164 | CP-BV 12 | 46 |
| 35 | 001340165 | CP-BV 13 | 46 |
| 36 | 001340200 | CP-BH 2 | 47 |
| 37 | 001340252 | CP-BHS 2 | 48 |
| 39 | 001340254 | CP-BHS 3 | 48 |

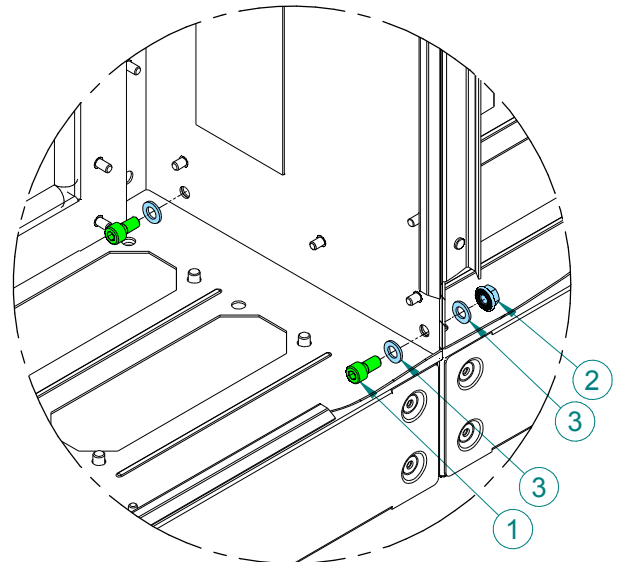
| No. | Code No | Name | Page |
|-----|-----------|----------------|----------------|
| 40 | 001101683 | LG-V SET | 49 |
| 41 | 001101685 | LG-V5 SET | 49 |
| 42 | 001341151 | LG-V6-B SET | 50 |
| 43 | 001341153 | LG-V6-D SET | 50 |
| 44 | 001341201 | LG-V6R-B SET | 51 |
| 45 | 001341880 | LG-T6-A SET | 51 |
| 46 | 001341650 | LG-B60-H P1 | 52 |
| 47 | 001341651 | LG-B60-H P3 | 52 |
| 48 | 001341652 | LG-B60-H P4 | 52 |
| 49 | 001696006 | L-BBS-60/3 | 53 |
| 50 | 001696007 | L-BBS-60/4 | 54 |
| 51 | 001342181 | L-WP-B60/3 | 53 |
| 52 | 001342182 | L-WP-B60/4 | 54 |
| 53 | 001341700 | LG-B60-V1 P3 | 55, 57, 59 |
| 54 | 001341702 | LG-B60-V2 P3 | 55, 57, 58, 59 |
| 55 | 001341704 | LG-B60-V2 P4 | 55, 57, 58, 59 |
| 56 | 001341750 | LG-B60-V1R P3 | 56, 57, 59 |
| 57 | 001341752 | LG-B60-V2R P3 | 56-59 |
| 58 | 001341754 | LG-B60-V2R P4 | 56-59 |
| 59 | 001341850 | LG-T-B185-H P3 | 60 |
| 60 | 001342180 | ZP POP-WP | 61 |
| 61 | 001691056 | ZP POP 100 | 62 |
| 62 | 001691057 | ZP POP 185 | 62 |
| 63 | 001341851 | LG-T-INH1-A | 63 |
| 64 | 001341852 | LG-T-INH2-A | 63 |

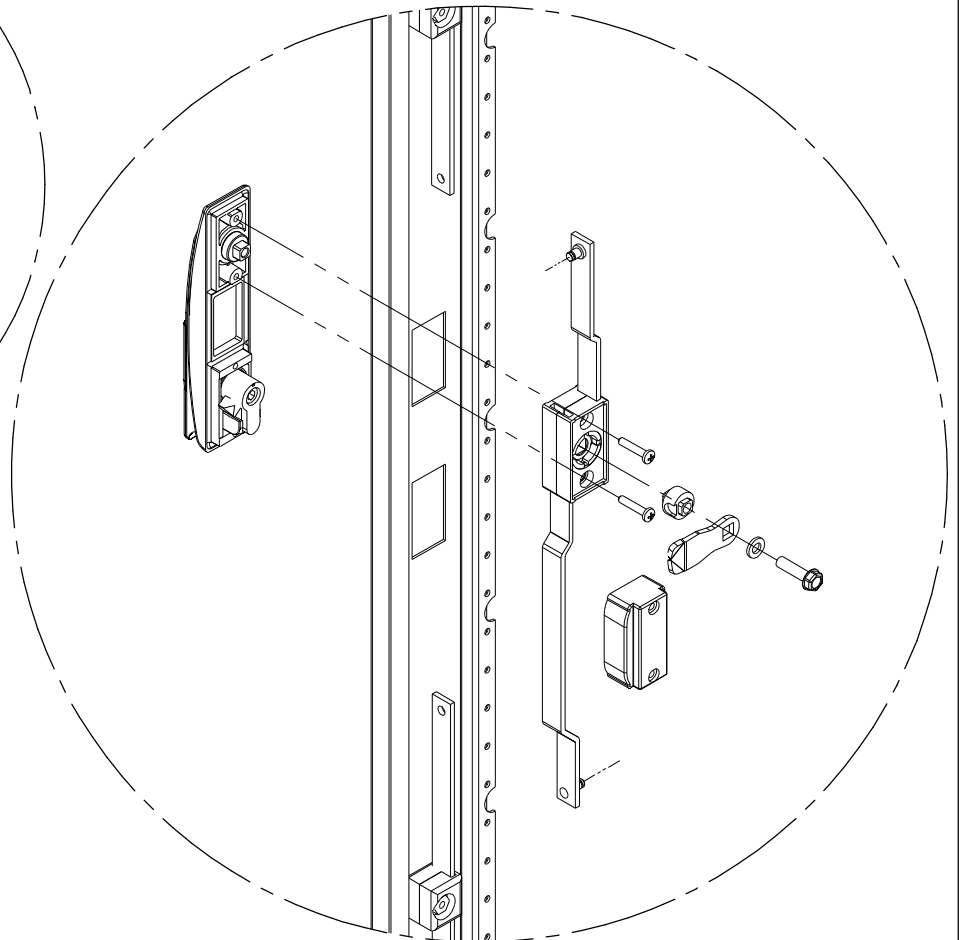
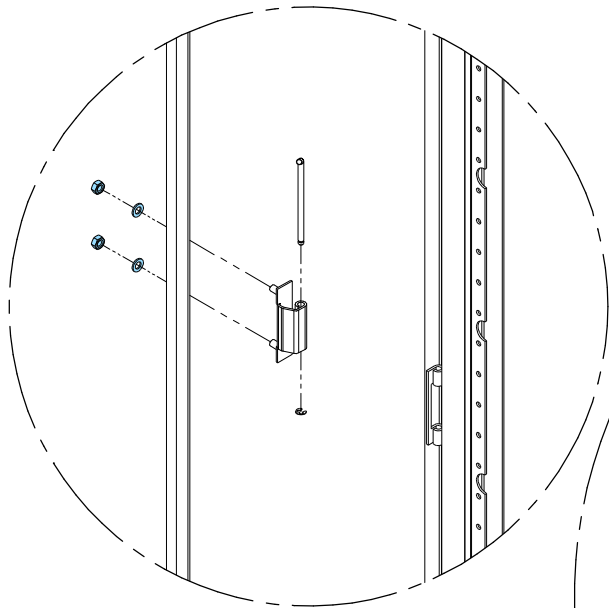
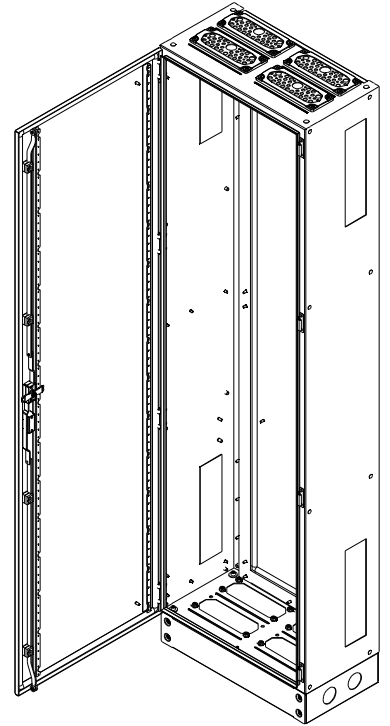
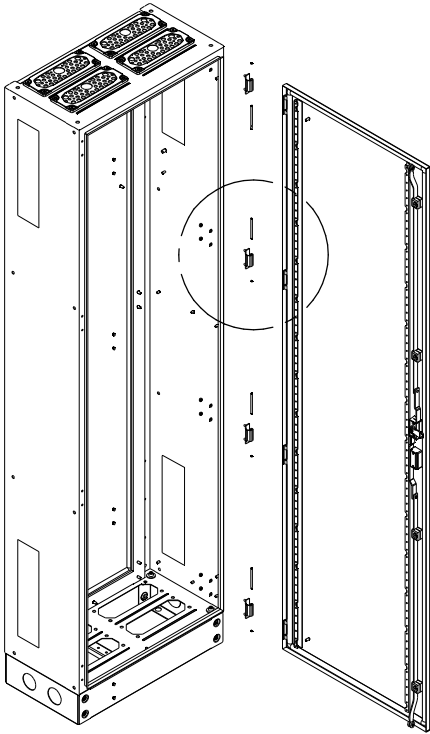
| Code No | Type | X [mm] | Y [mm] | Z [mm] |
|-----------|-----------------|--------|--------|--------|
| 001325102 | HXS300 2-12 PH1 | 550 | 1850 | 300 |
| 001325103 | HXS300 3-12 PH1 | 800 | 1850 | 300 |
| 001325104 | HXS300 4-12 PH1 | 1050 | 1850 | 300 |

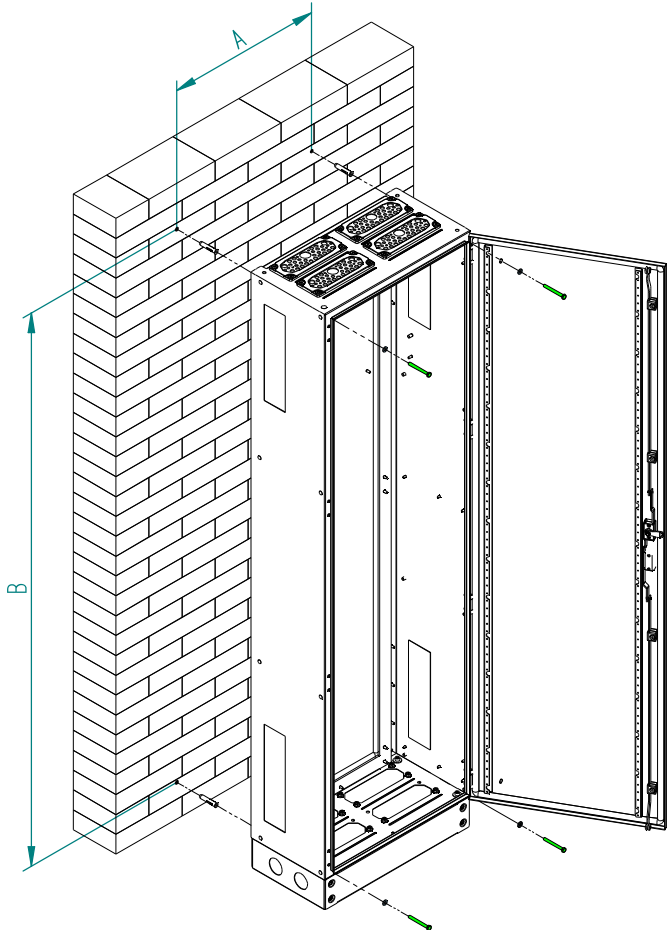
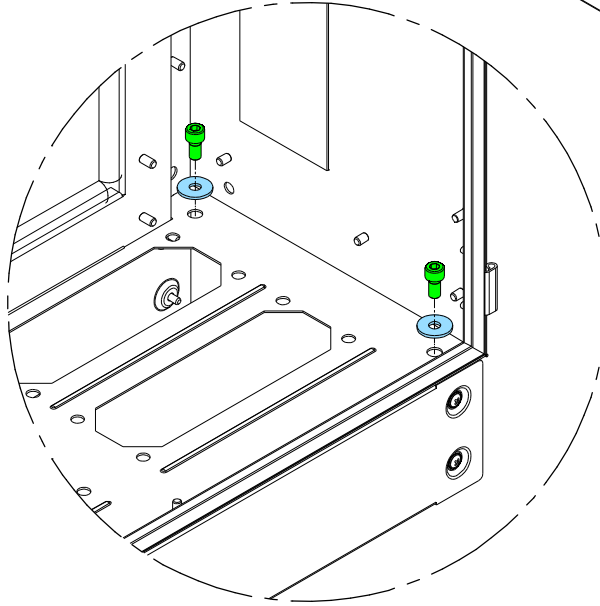
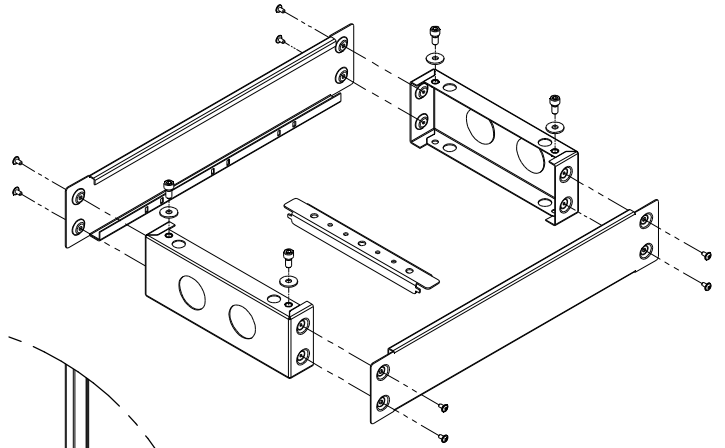
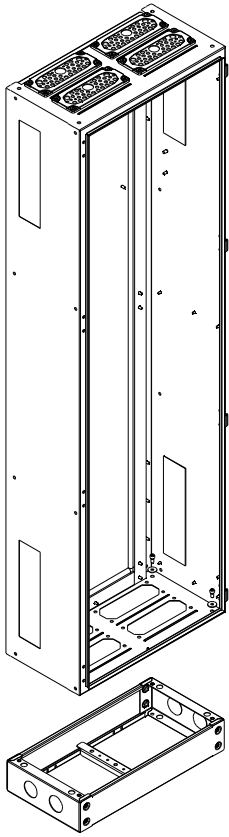




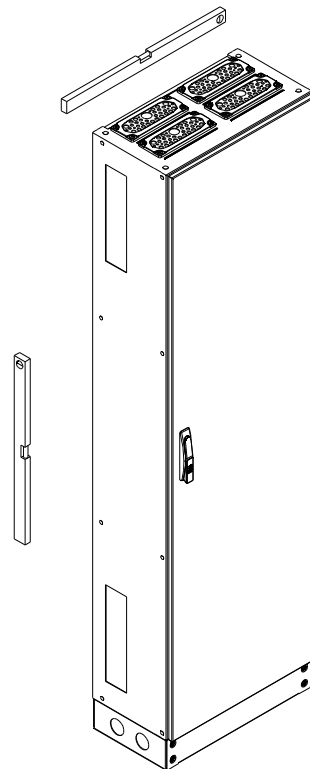
| ZL-GXA-SEAL 001342651 | | | |
|-----------------------|------------|------------------------------|------|
| No. | Type ETI | Name | Pcs. |
| 1 | AS-SH 8x12 | Screw M8x12 DIN912 Zn | 2 |
| 2 | AN-FSH 8 | Nut flange serrat DIN6923 Zn | 2 |
| 3 | AW-R 8 | Washer M8 DIN126 Zn | 4 |



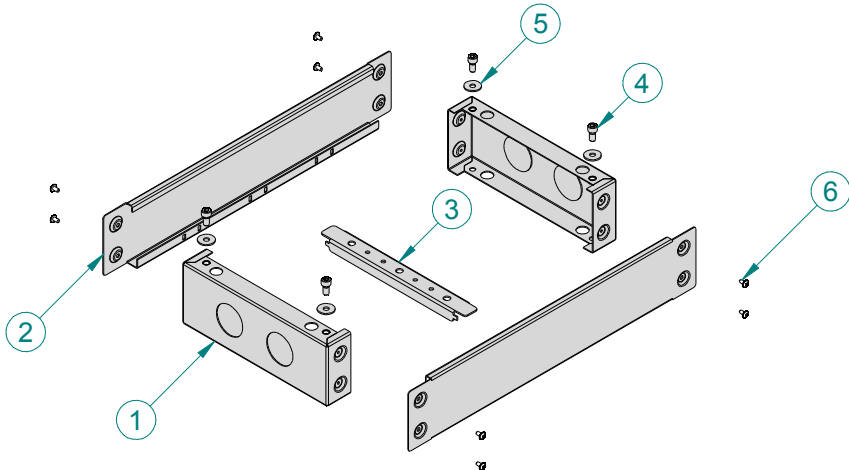




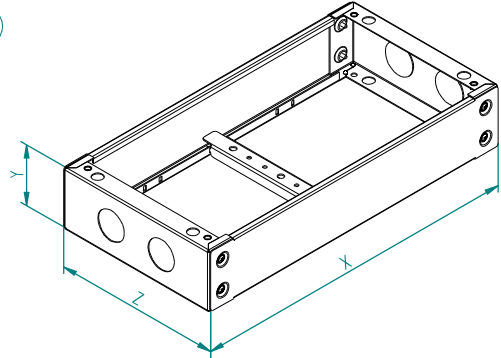
| Code No | Type | A [mm] | B [mm] |
|-----------|-----------------|--------|--------|
| 001325102 | HXS300 2-12 PH1 | 510 | 1810 |
| 001325103 | HXS300 3-12 PH1 | 760 | 1810 |
| 001325104 | HXS300 4-12 PH1 | 1010 | 1810 |



PH1



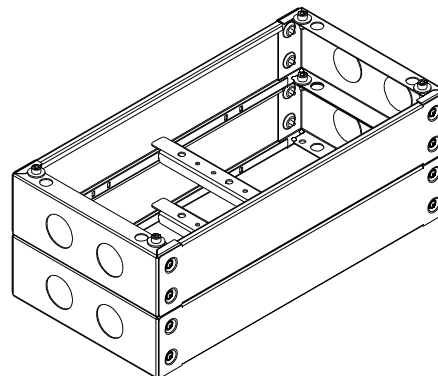
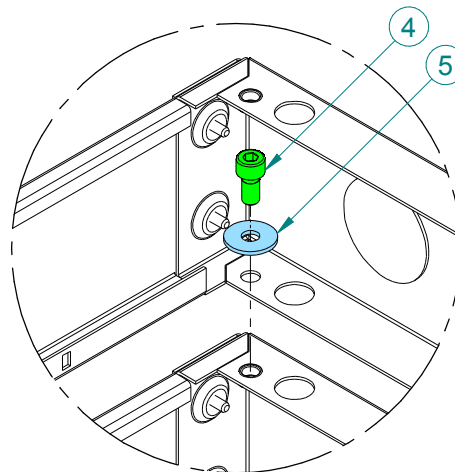
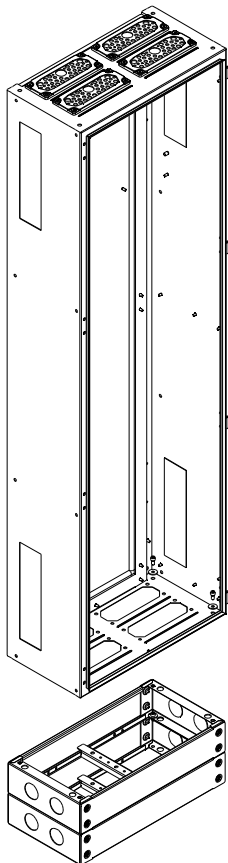
| Code No | Type | X [mm] | Y [mm] | Z [mm] |
|-----------|------------|--------|--------|--------|
| 001336910 | PH1 D3 -W2 | 548 | 100 | 278 |
| 001336912 | PH1 D3 -W3 | 798 | 100 | 278 |
| 001336914 | PH1 D3 -W4 | 1048 | 100 | 278 |



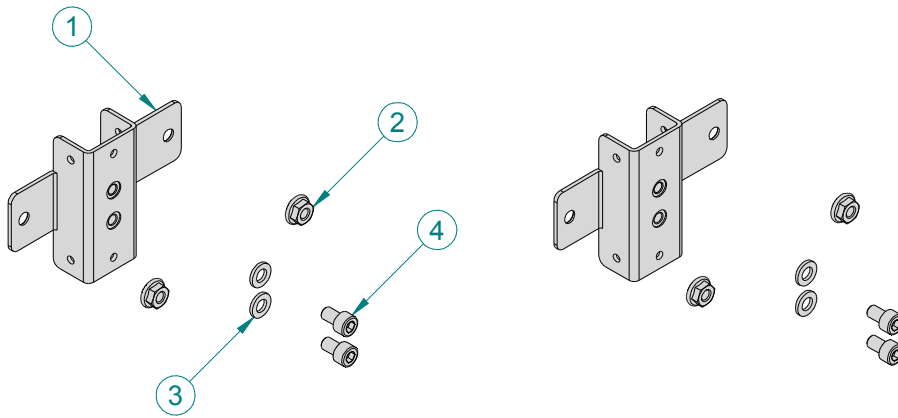
| PH1 D3 -W2 001336910 | | | |
|----------------------|-------------|-----------------------|------|
| No. | Type ETI | Name | Pcs. |
| 1 | PH1-BOK-D3 | Side plinth | 2 |
| 2 | PH1-PRZ-W2 | Fronf plinth | 2 |
| 3 | PH-BEL-D3 | Support | 1 |
| 4 | AS-SH 8x16 | Screw M8x16 DIN912 Zn | 4 |
| 5 | AW-R 8 | Washer M8 DIN126 Zn | 4 |
| 6 | AST 4.8x9.5 | Tapping screw | 8 |

| PH1 D3 -W3 001336912 | | | |
|----------------------|-------------|-----------------------|------|
| No. | Type ETI | Name | Pcs. |
| 1 | PH1-BOK-D3 | Side plinth | 2 |
| 2 | PH1-PRZ-W3 | Fronf plinth | 2 |
| 3 | PH-BEL-D3 | Support | 1 |
| 4 | AS-SH 8x16 | Screw M8x16 DIN912 Zn | 4 |
| 5 | AW-R 8 | Washer M8 DIN126 Zn | 4 |
| 6 | AST 4.8x9.5 | Tapping screw | 8 |

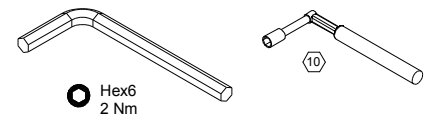
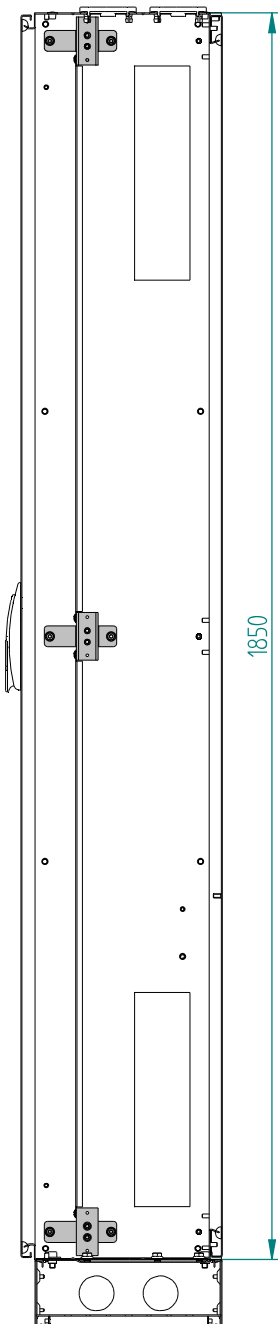
| PH1 D3 -W4 001336914 | | | |
|----------------------|-------------|-----------------------|------|
| No. | Type ETI | Name | Pcs. |
| 1 | PH1-BOK-D3 | Side plinth | 2 |
| 2 | PH1-PRZ-W4 | Fronf plinth | 2 |
| 3 | PH-BEL-D3 | Support | 1 |
| 4 | AS-SH 8x16 | Screw M8x16 DIN912 Zn | 4 |
| 5 | AW-R 8 | Washer M8 DIN126 Zn | 4 |
| 6 | AST 4.8x9.5 | Tapping screw | 8 |



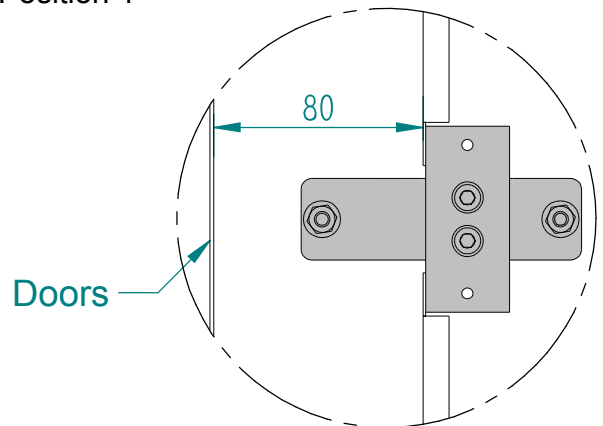
UW-BCU 23 001338201



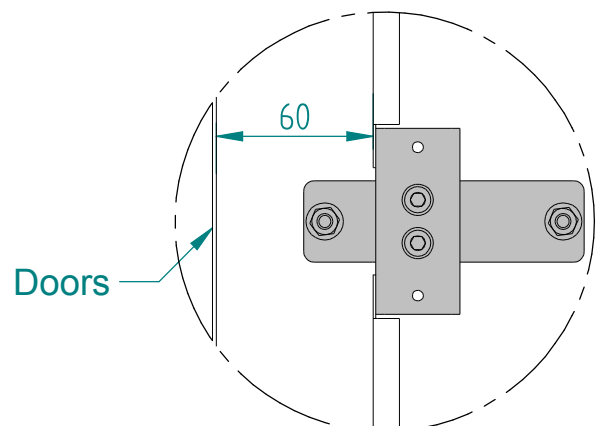
| UW-BCU 23 001338201 | | | |
|---------------------|-------------|------------------------------|------|
| No. | Type ETI | Name | Pcs. |
| 1 | UW-BCU-23-C | Holder | 2 |
| 2 | AN-FSH 6 | Nut flange serrat DIN6923 Zn | 4 |
| 3 | AW-R 6 | Washer M6 DIN126 Zn | 4 |
| 4 | AS-SH 6x10 | Screw M6x10 DIN912 Zn | 4 |



Position 1



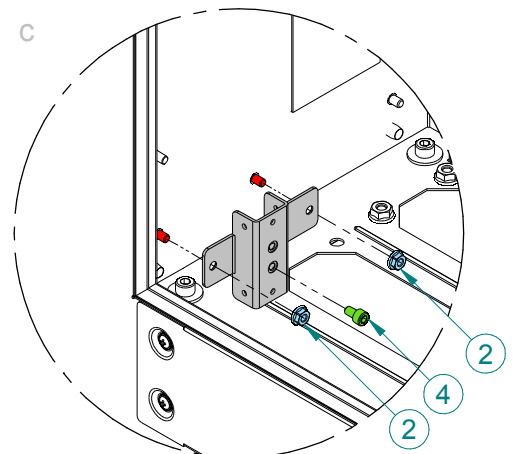
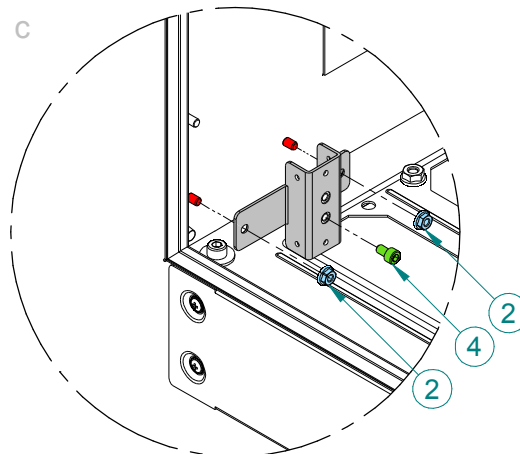
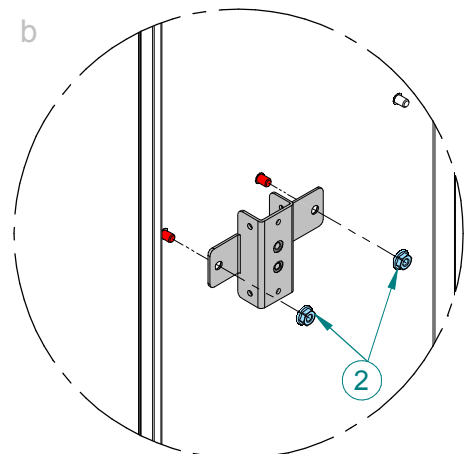
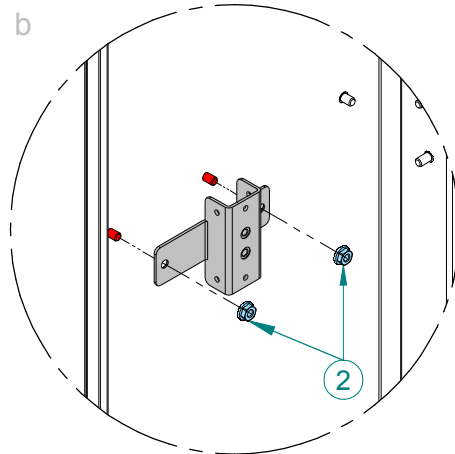
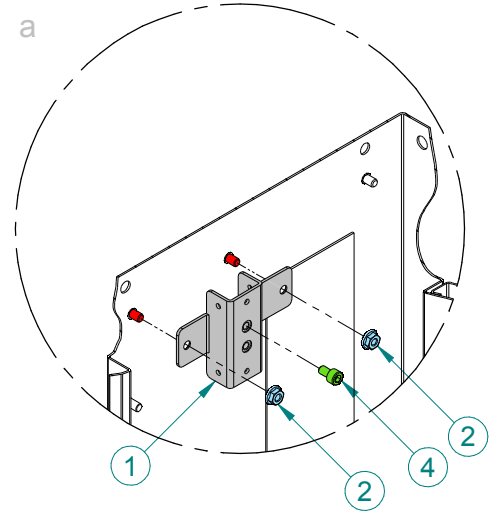
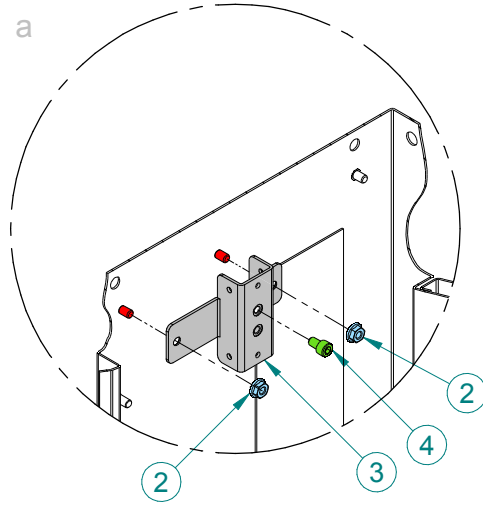
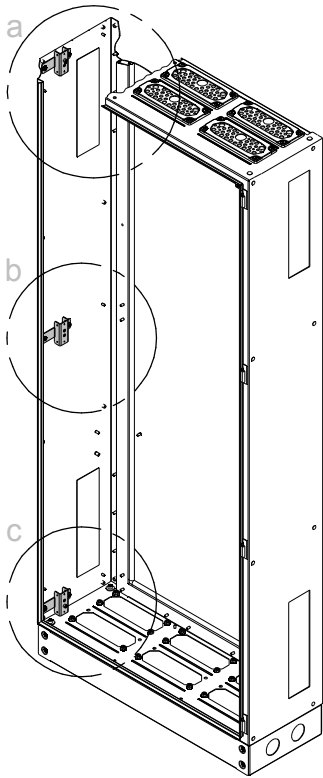
Position 2



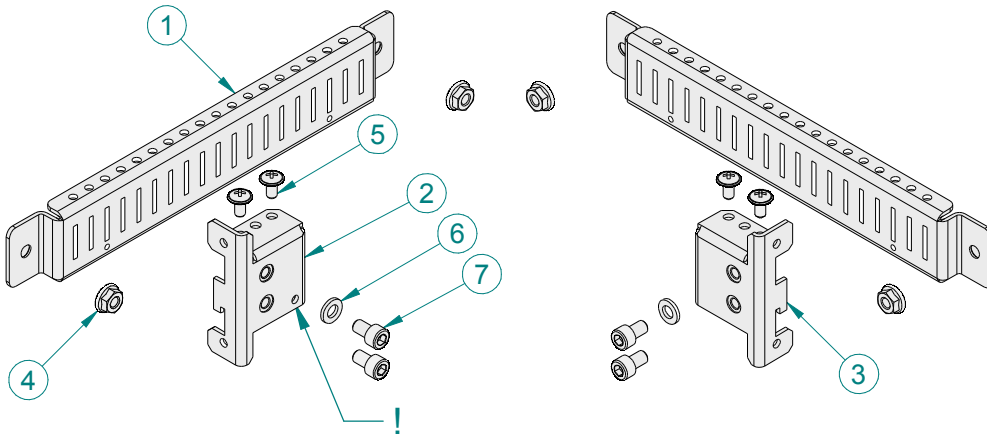
1

**Position 1
(80 mm)**

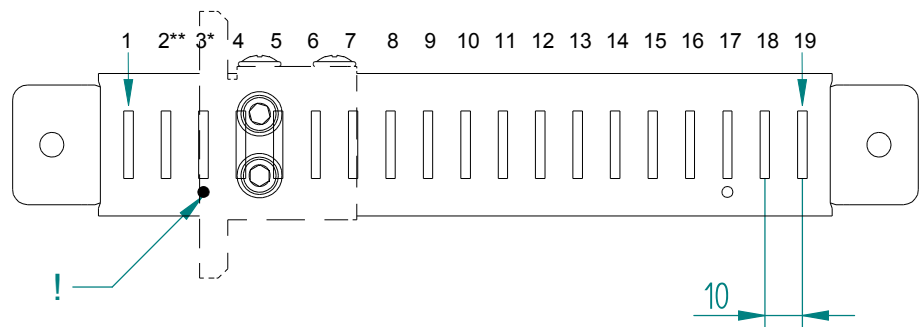
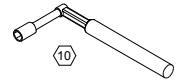
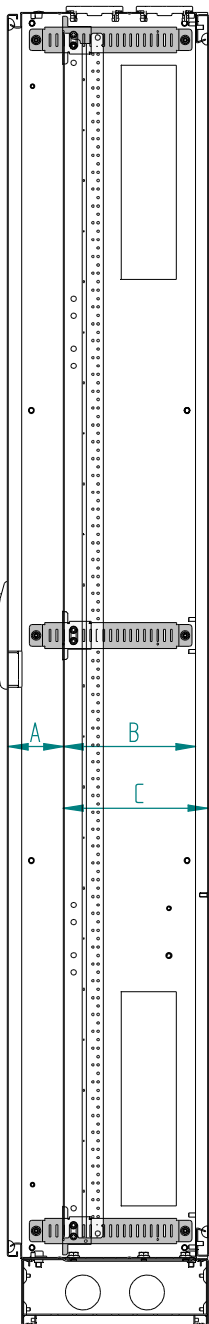
**Position 2
(60 mm)**



UW-BCR 3 001338206



| UW-BCR 3 001338206 | | | |
|--------------------|-------------|-----------------------------|------|
| No. | Type ETI | Name | Pcs. |
| 1 | UW-BCR-3-C | Holder | 2 |
| 2 | CR-CP-L | Holder | 1 |
| 3 | CR-CP-P | Holder | 1 |
| 4 | AN-FSH 6 | Nut flange serat DIN6923 Zn | 4 |
| 5 | AST 4.8x9.5 | Tapping screw | 4 |
| 6 | AW-R 6 | Washer M6 DIN126 Zn | 4 |
| 7 | AS-SH 6x10 | Screw M6x10 DIN912 Zn | 4 |

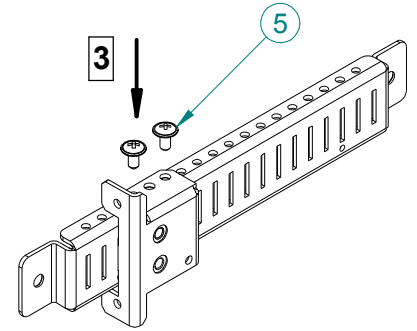
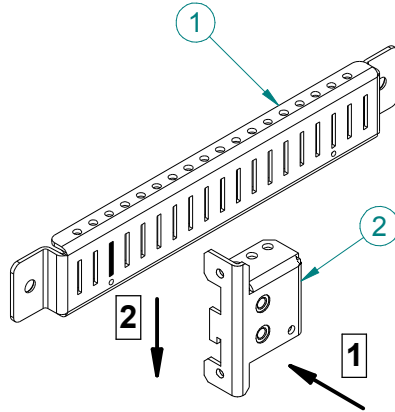
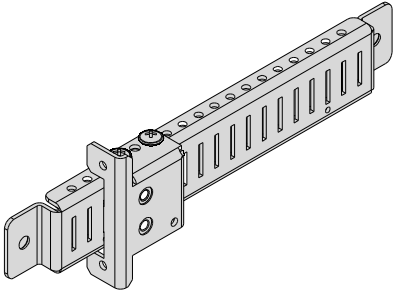


| UW-BCR 3 | | | |
|-----------|--------------|---------------|---------------|
| Position | A | B | C |
| 1 | 61 mm | 216 mm | 234 mm |
| 2 | 71 mm | 206 mm | 224 mm |
| 3* | 81 mm | 196 mm | 214 mm |
| 4 | 91 mm | 186 mm | 204 mm |
| 5 | 101 mm | 176 mm | 194 mm |
| 6 | 111 mm | 166 mm | 184 mm |
| 7 | 121 mm | 156 mm | 174 mm |
| 8 | 131 mm | 146 mm | 164 mm |
| 9 | 141 mm | 136 mm | 154 mm |
| 10 | 151 mm | 126 mm | 144 mm |
| 11 | 161 mm | 116 mm | 134 mm |
| 12 | 171 mm | 106 mm | 124 mm |
| 13 | 181 mm | 96 mm | 114 mm |
| 14 | 191 mm | 86 mm | 104 mm |
| 15 | 201 mm | 76 mm | 94 mm |
| 16 | 211 mm | 66 mm | 84 mm |
| 17 | 221 mm | 56 mm | 74 mm |
| 18 | 231 mm | 46 mm | 64 mm |
| 19 | 241 mm | 36 mm | 54 mm |

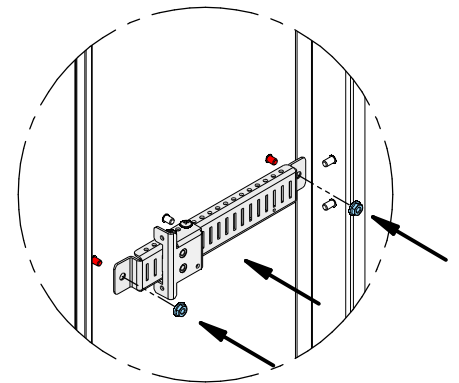
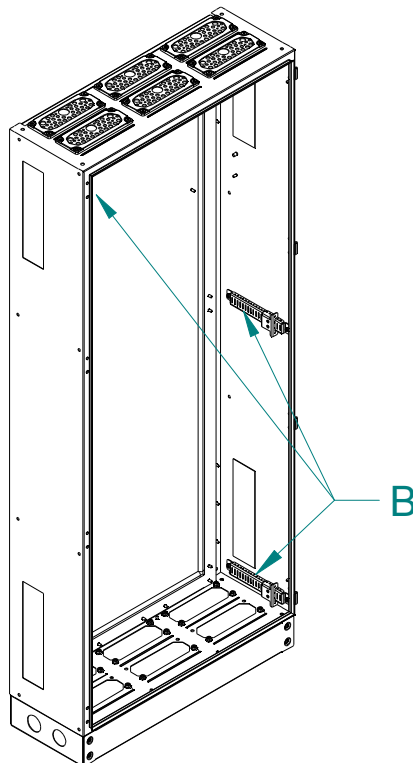
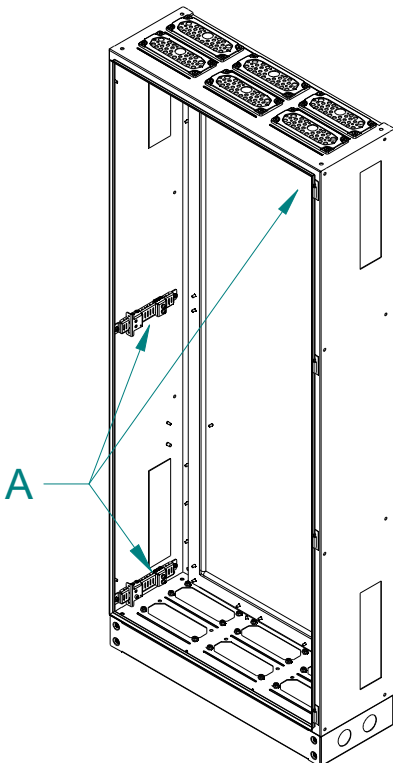
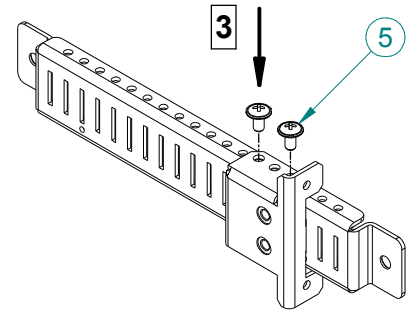
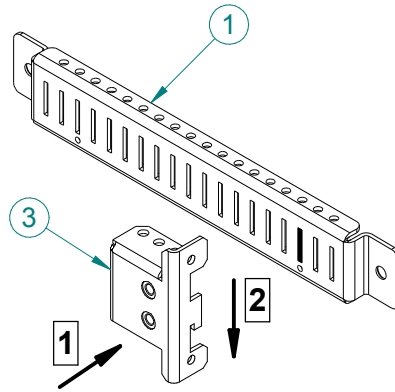
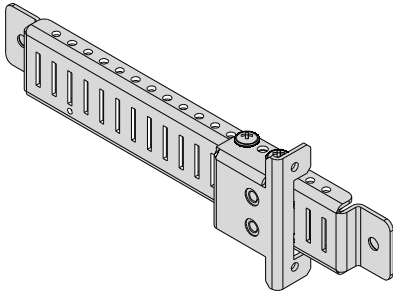
* basic position

1

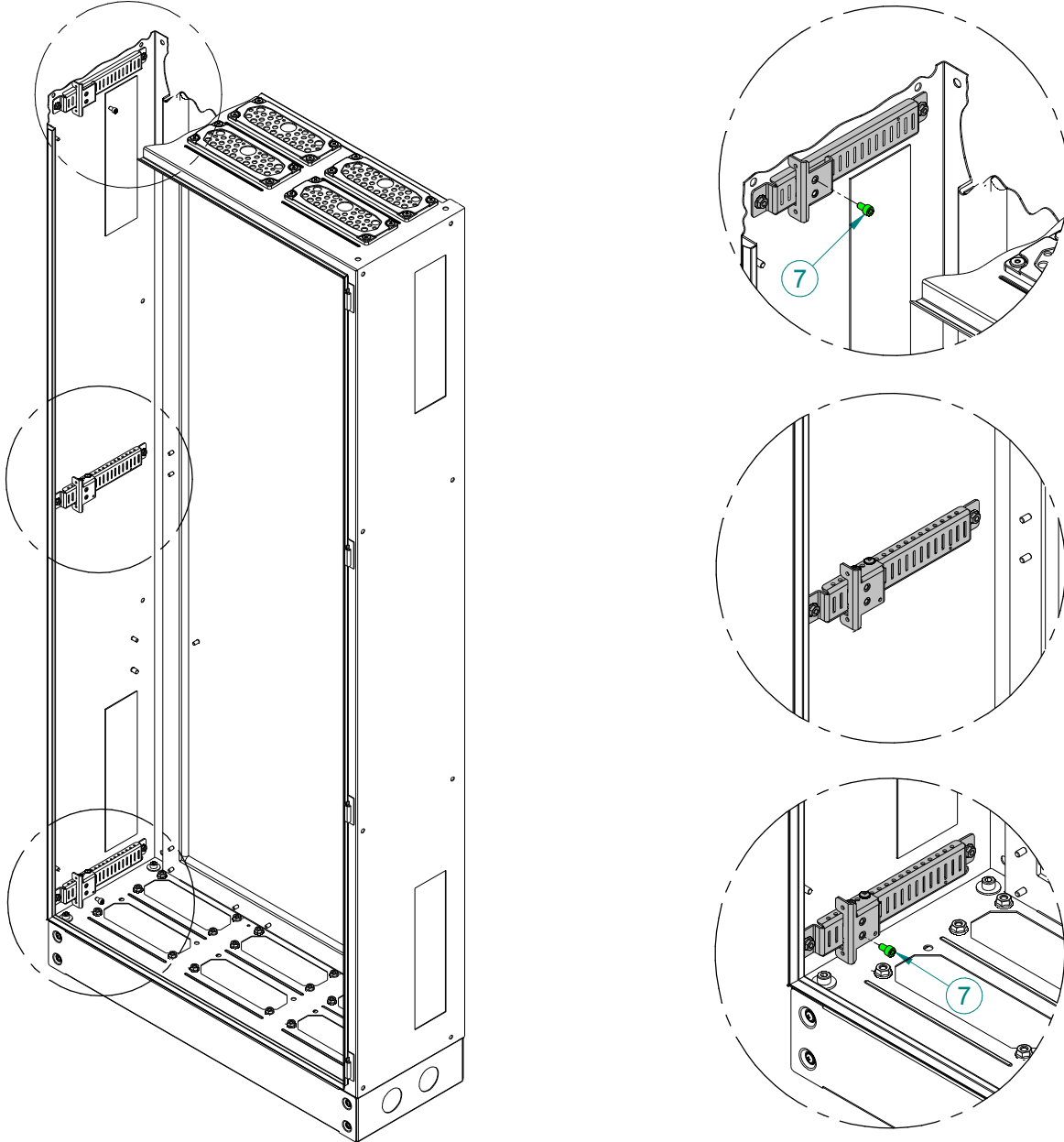
A



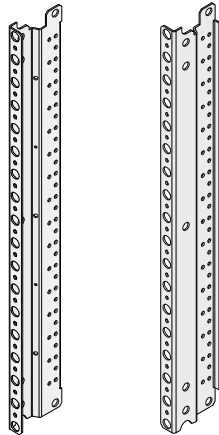
B



2



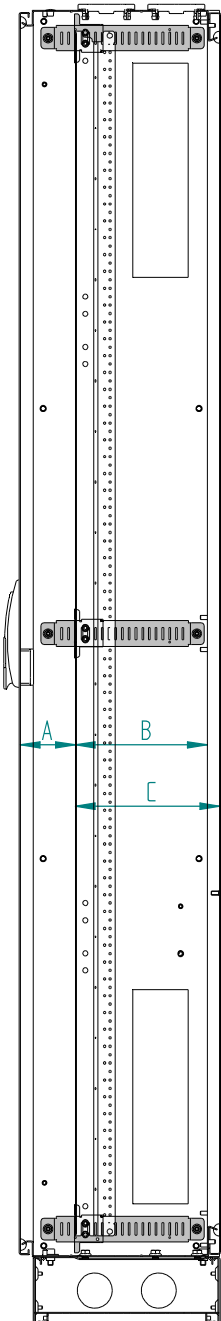
WP-A



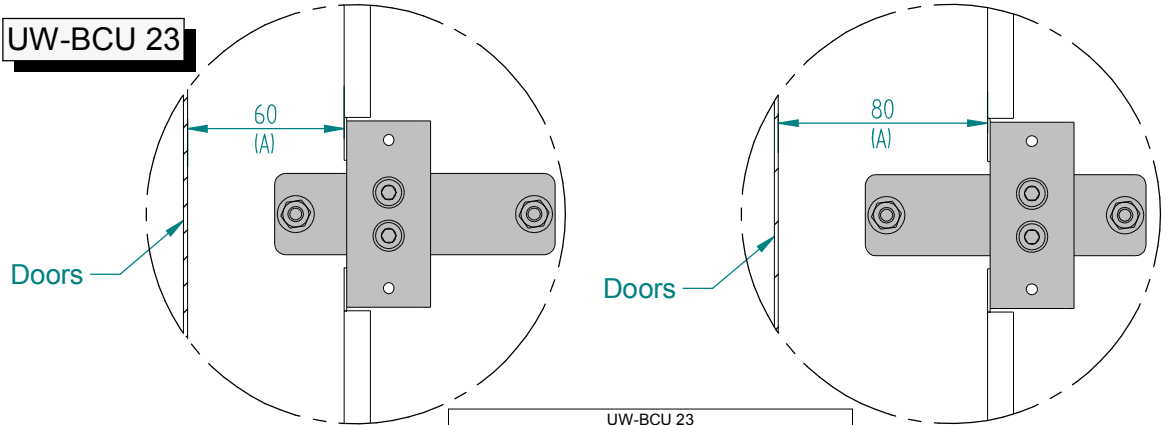
WP-A L

WP-A P

| Code No | Type | Y | (1) | Pcs. | (2) | Pcs. |
|-----------|-----------|---------|------------|------|------------|------|
| 001338600 | WP-A 2 | 288 mm | WP-A 2L | 1 | WP-A 2P | 1 |
| 001101716 | WP-A 2.33 | 338 mm | WP-A 2.33L | 1 | WP-A 2.33P | 1 |
| 001101644 | WP-A 3 | 438 mm | WP-A 3L | 1 | WP-A 3P | 1 |
| 001101645 | WP-A 3.66 | 538 mm | WP-A 3.66L | 1 | WP-A 3.66P | 1 |
| 001101646 | WP-A 4 | 588 mm | WP-A 4L | 1 | WP-A 4P | 1 |
| 001101647 | WP-A 5 | 738 mm | WP-A 5L | 1 | WP-A 5P | 1 |
| 001101648 | WP-A 6 | 888 mm | WP-A 6L | 1 | WP-A 6P | 1 |
| 001101649 | WP-A 6.33 | 938 mm | WP-A 6.33L | 1 | WP-A 6.33P | 1 |
| 001101650 | WP-A 7 | 1038 mm | WP-A 7L | 1 | WP-A 7P | 1 |
| 001101651 | WP-A 7.66 | 1138 mm | WP-A 7.66L | 1 | WP-A 7.66P | 1 |
| 001338601 | WP-A 8 | 1188 mm | WP-A 8L | 1 | WP-A 8P | 1 |
| 001338602 | WP-A 9 | 1338 mm | WP-A 9L | 1 | WP-A 9P | 1 |
| 001338603 | WP-A 10 | 1488 mm | WP-A 10L | 1 | WP-A 10P | 1 |
| 001338604 | WP-A 11 | 1638 mm | WP-A 11L | 1 | WP-A 11P | 1 |
| 001338605 | WP-A 12 | 1788 mm | WP-A 12L | 1 | WP-A 12P | 1 |
| 001338606 | WP-A 13 | 1938 mm | WP-A 13L | 1 | WP-A 13P | 1 |

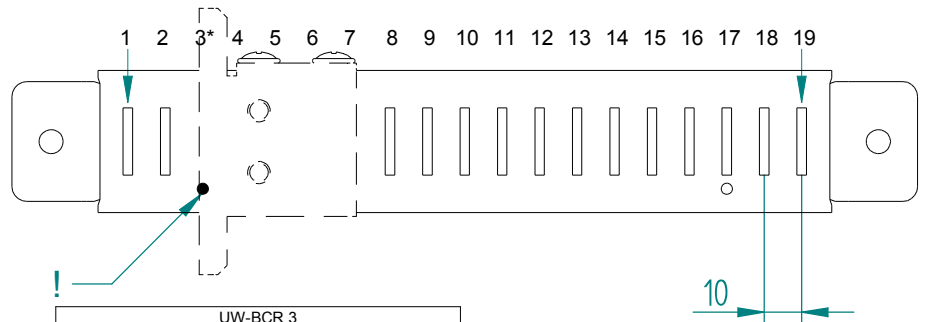


UW-BCU 23



| UW-BCU 23 | | | |
|-----------|-------|--------|--------|
| Position | A | B | C |
| 1 | 61 mm | 216 mm | 234 mm |
| 2 | 81 mm | 196 mm | 214 mm |

UW-BCR 3

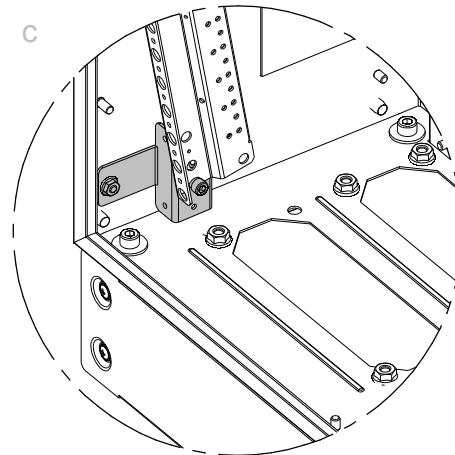
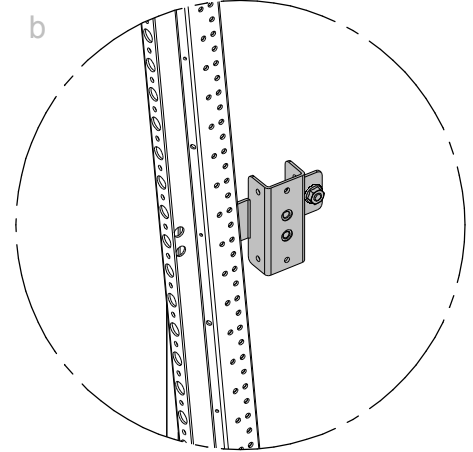
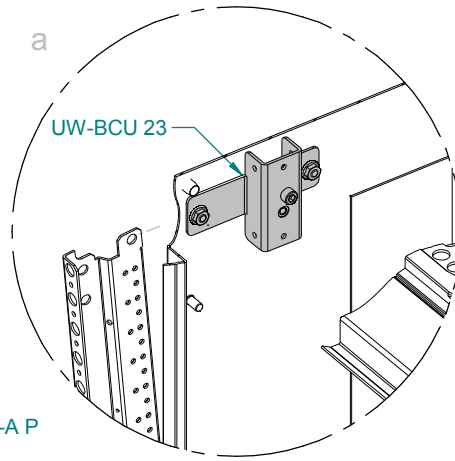
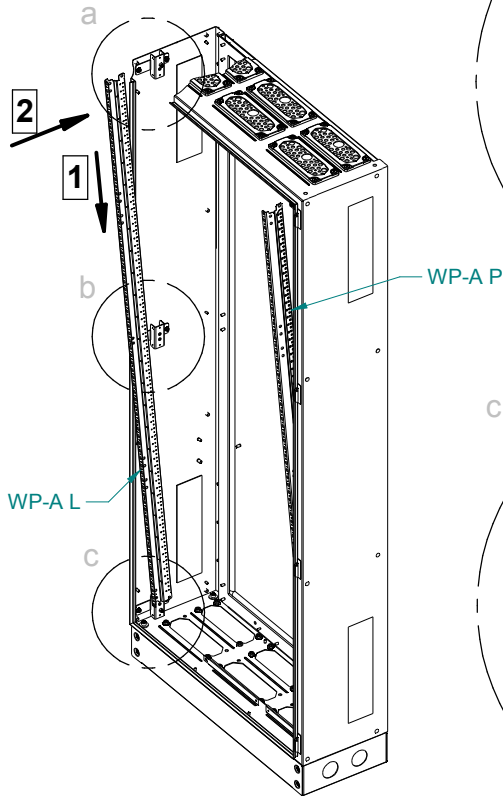


| UW-BCR 3 | | | |
|----------|--------|--------|--------|
| Position | A | B | C |
| 1 | 61 mm | 216 mm | 234 mm |
| 2 | 71 mm | 206 mm | 224 mm |
| 3* | 81 mm | 196 mm | 214 mm |
| 4 | 91 mm | 186 mm | 204 mm |
| 5 | 101 mm | 176 mm | 194 mm |
| 6 | 111 mm | 166 mm | 184 mm |
| 7 | 121 mm | 156 mm | 174 mm |
| 8 | 131 mm | 146 mm | 164 mm |
| 9 | 141 mm | 136 mm | 154 mm |
| 10 | 151 mm | 126 mm | 144 mm |
| 11 | 161 mm | 116 mm | 134 mm |
| 12 | 171 mm | 106 mm | 124 mm |
| 13 | 181 mm | 96 mm | 114 mm |
| 14 | 191 mm | 86 mm | 104 mm |
| 15 | 201 mm | 76 mm | 94 mm |
| 16 | 211 mm | 66 mm | 84 mm |
| 17 | 221 mm | 56 mm | 74 mm |
| 18 | 231 mm | 46 mm | 64 mm |
| 19 | 241 mm | 36 mm | 54 mm |

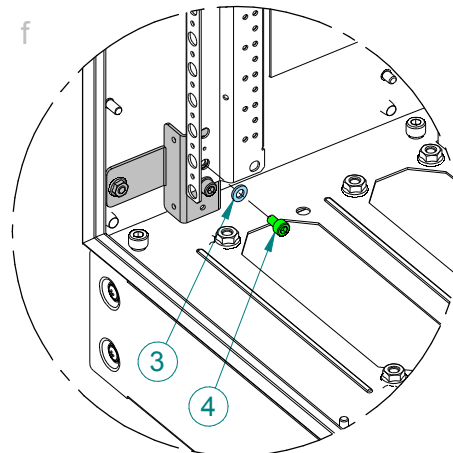
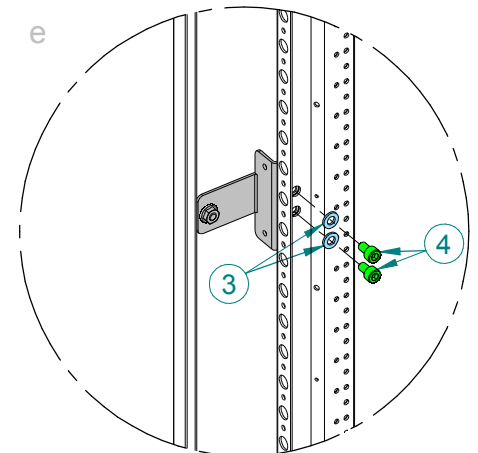
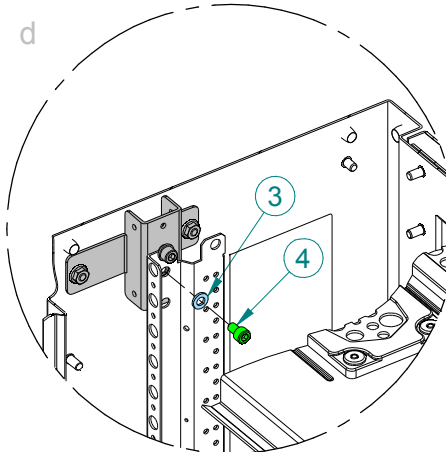
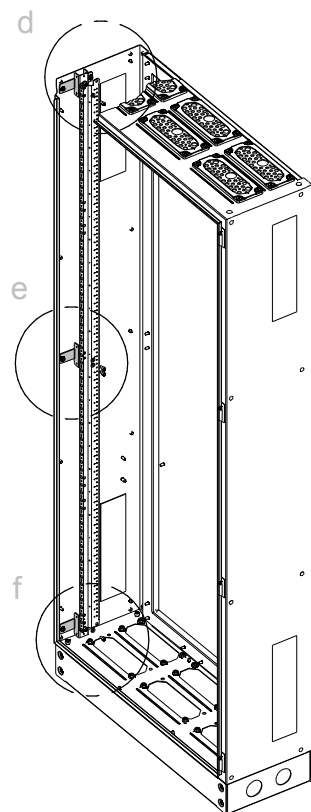
* basic position

1a

UW-BCU

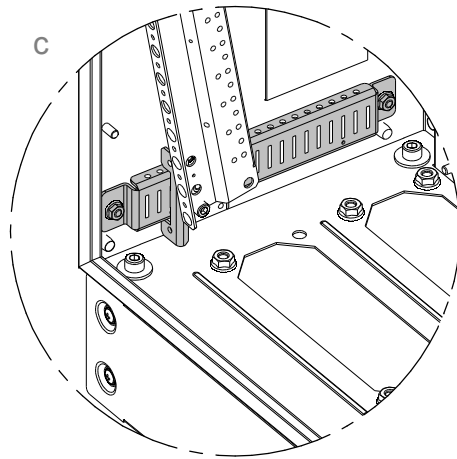
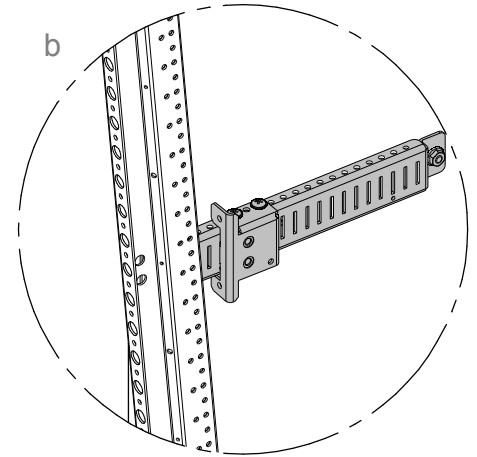
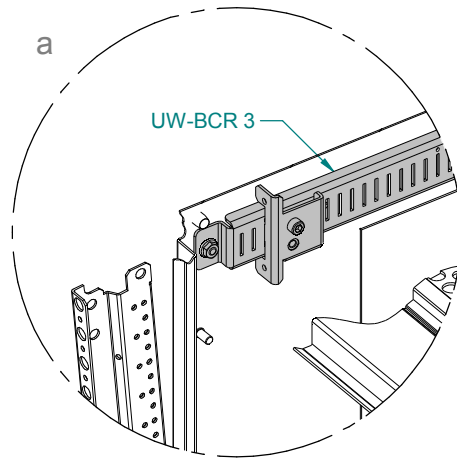
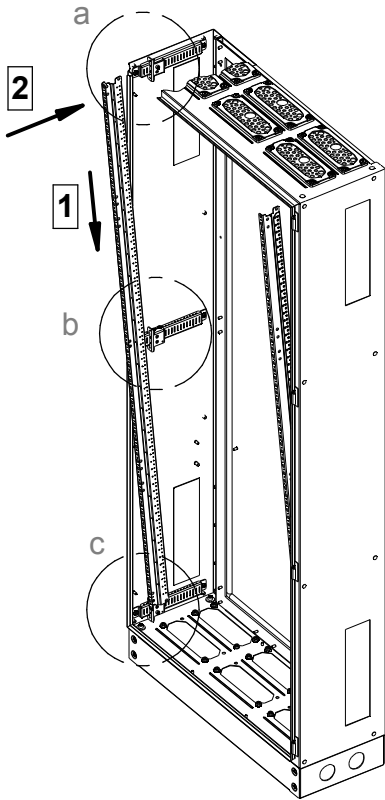


2a

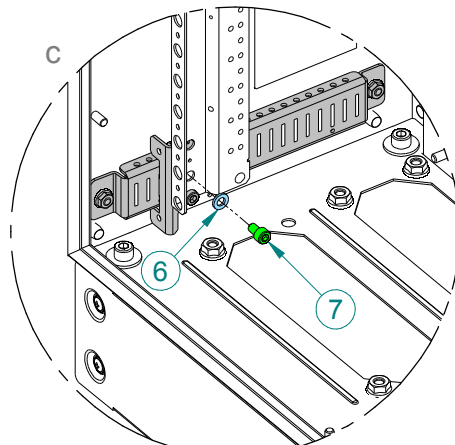
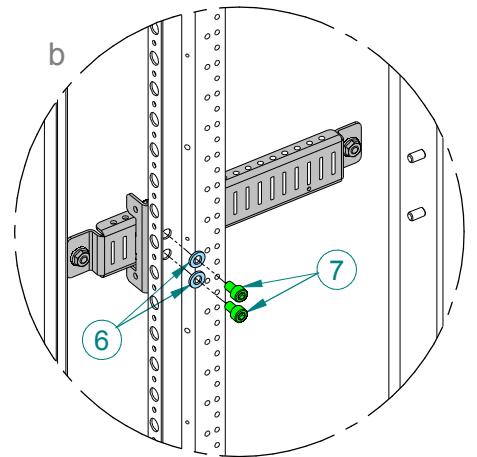
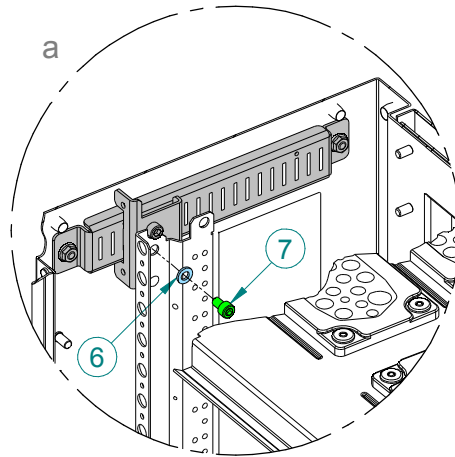
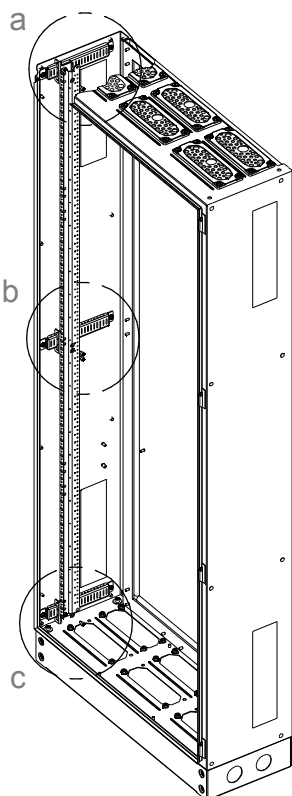


Hex5
3,6-6,0 Nm

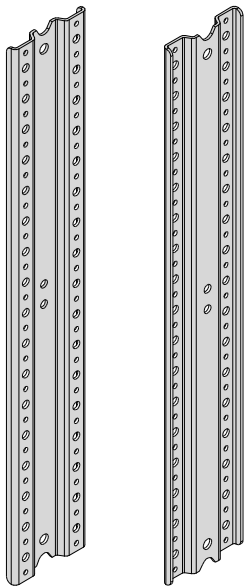
1b UW-BCR



2b



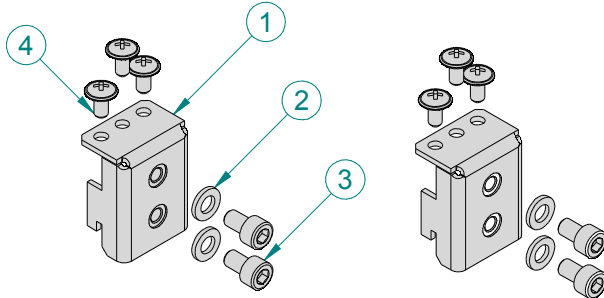
WP-T



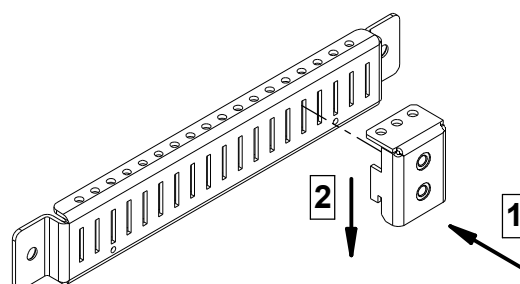
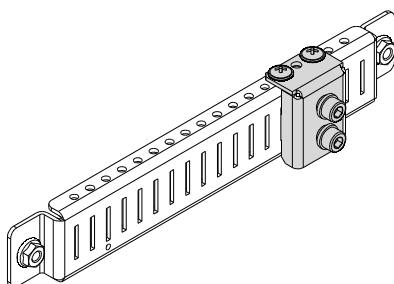
| Code No | Type | Y |
|-----------|---------|---------|
| 001338758 | WP-T 7 | 1038 mm |
| 001338764 | WP-T 12 | 1788 mm |
| 001338765 | WP-T 13 | 1938 mm |

CR-A 001338215

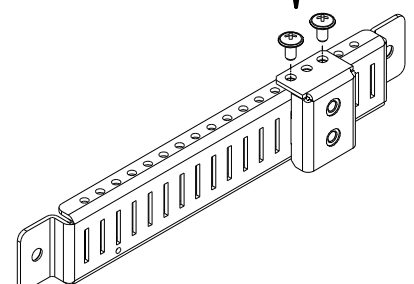
| CR-A 001338215 | | | |
|----------------|-------------|-----------------------|------|
| No. | Type ETI | Name | Pcs. |
| 1 | CR-A-C | Holder | 2 |
| 2 | AW-R 6 | Washer M6 DIN126 Zn | 2 |
| 3 | AS-SH 6x10 | Screw M6x10 DIN912 Zn | 4 |
| 4 | AST 4.8x9.5 | Tapping screw | 6 |



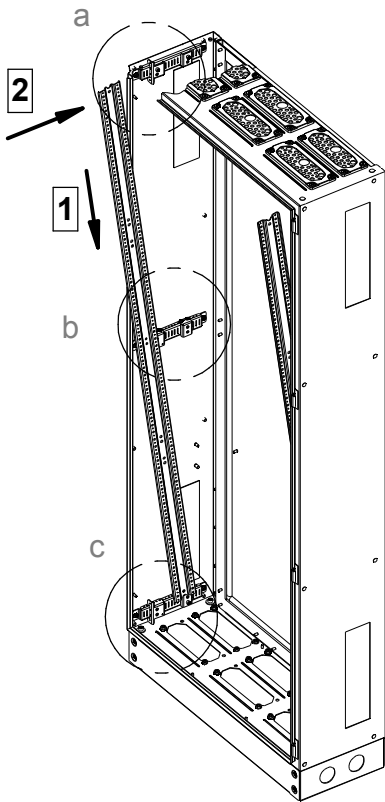
1



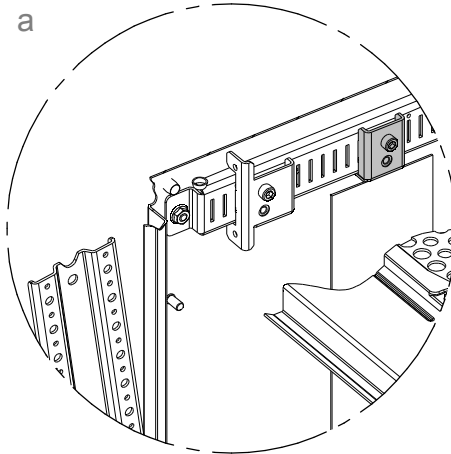
3



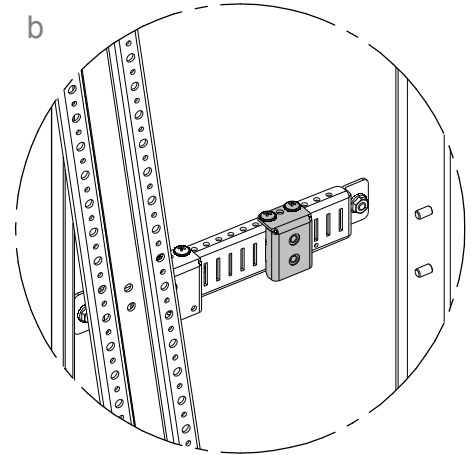
2



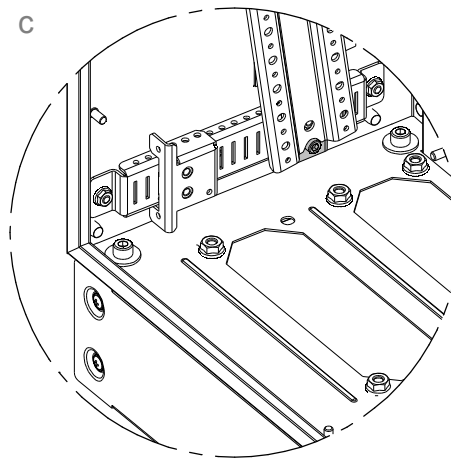
a



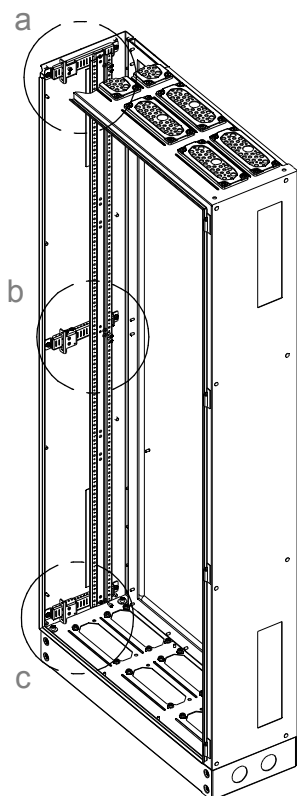
b



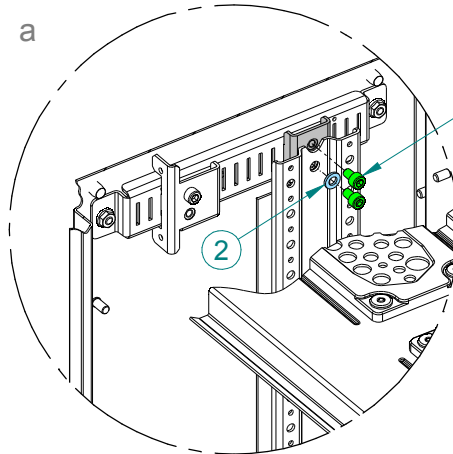
c



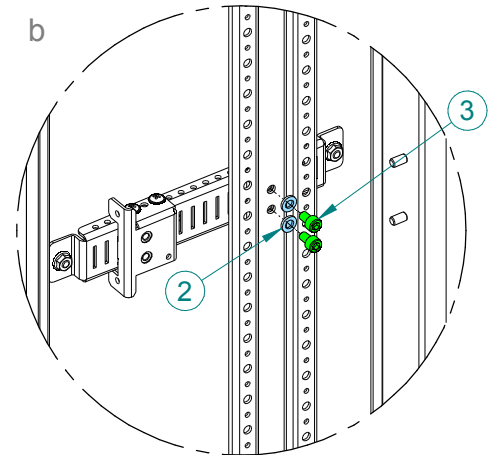
3



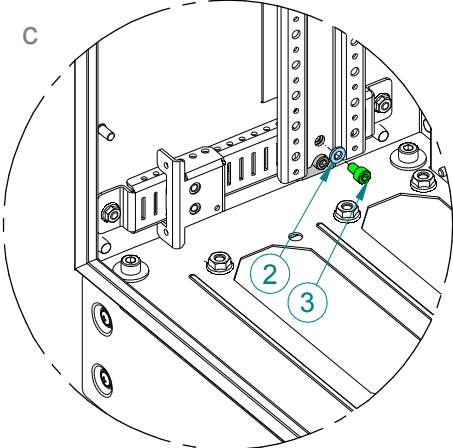
a



b

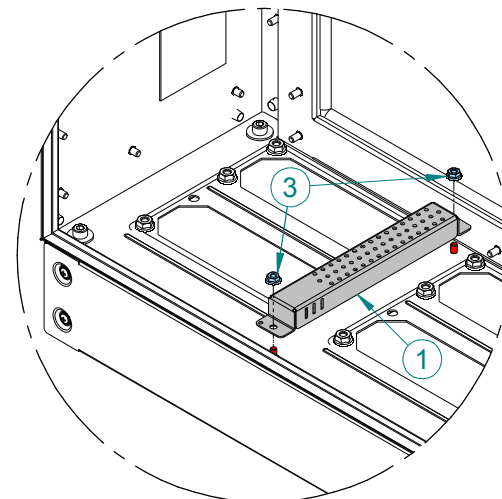
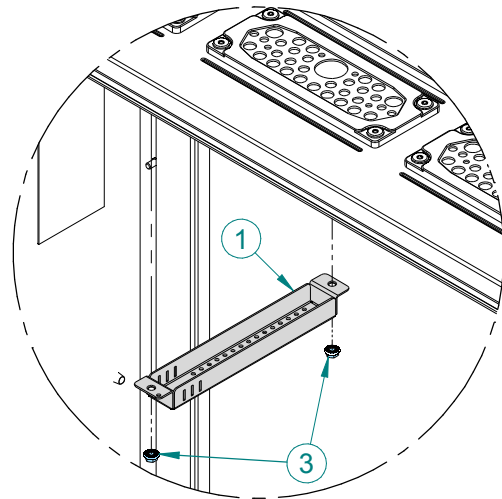
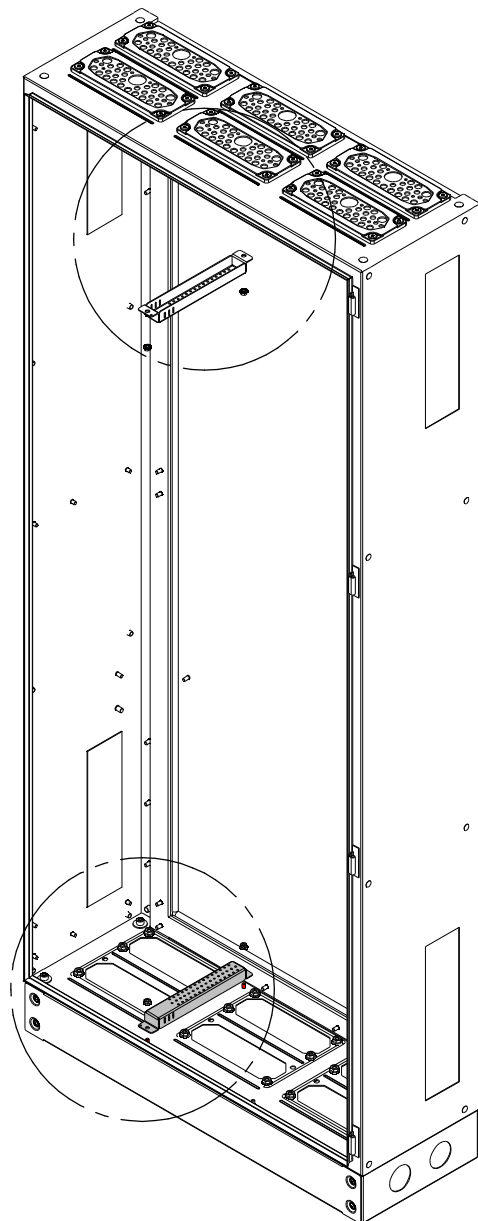
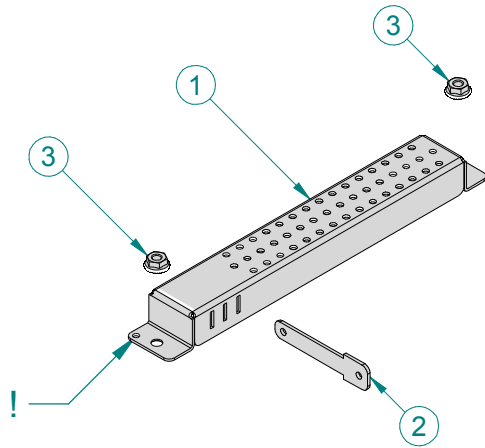


c

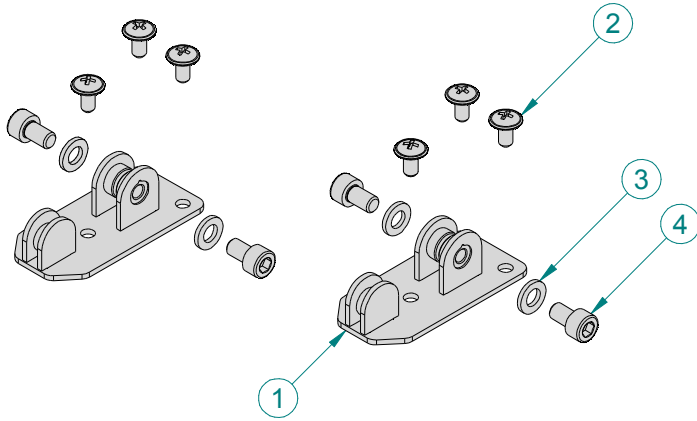


UW-SEP 3 001338302

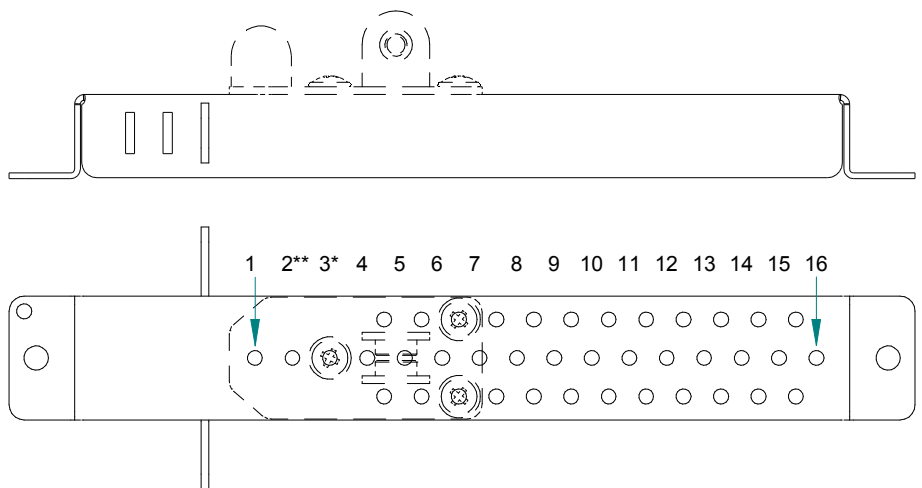
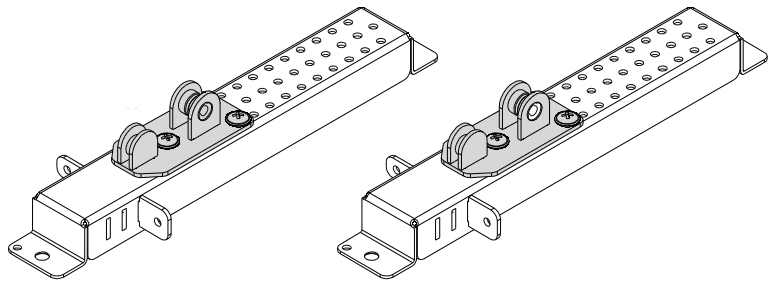
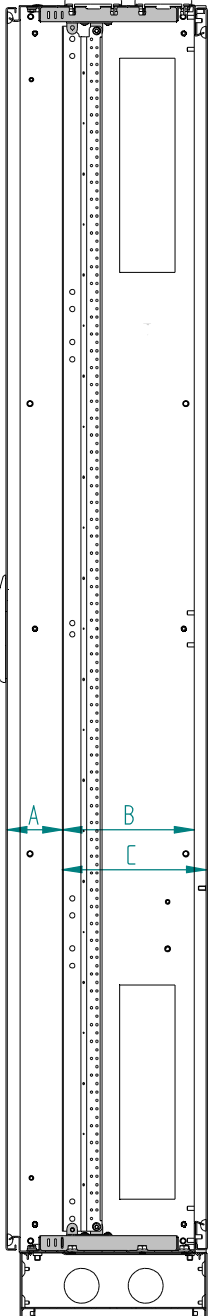
| UW-SEP 3 001338302 | | | |
|--------------------|------------|------------------------------|------|
| No. | Type ETI | Name | Pcs. |
| 1 | UW-SEP-3-C | Holder | 1 |
| 2 | EP-CP | Holder | 1 |
| 3 | AN-FSH 6 | Nut flange serrat DIN6923 Zn | 2 |



EP-W 001101677



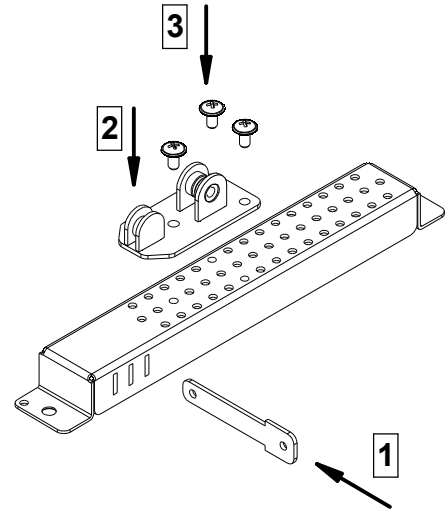
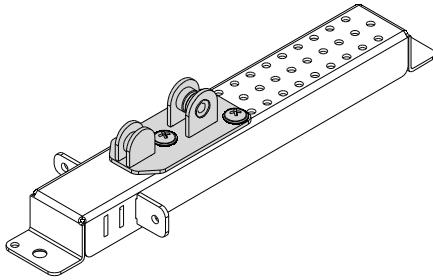
| EP-W 001101677 | | | |
|----------------|-------------|-----------------------|------|
| No. | Type ETI | Name | Pcs. |
| 1 | EP-W-C | Support | 2 |
| 2 | AST 4.8x9.5 | Tapping screw | 6 |
| 3 | AW-R 6 | Washer M6 DIN126 Zn | 4 |
| 4 | AS-SH 6x10 | Screw M6x10 DIN912 Zn | 4 |



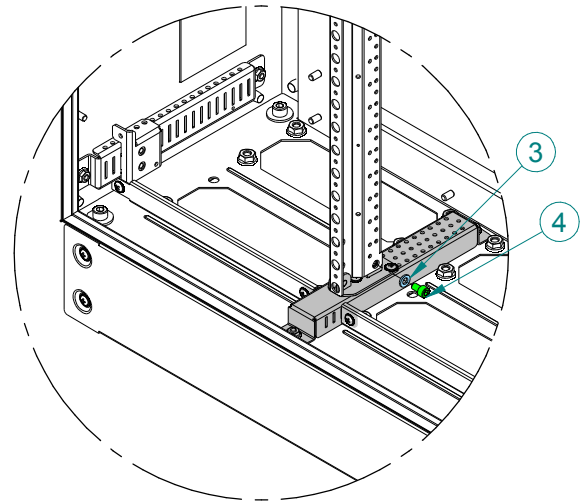
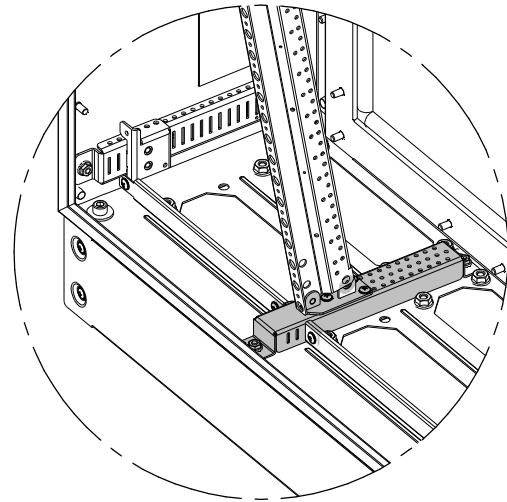
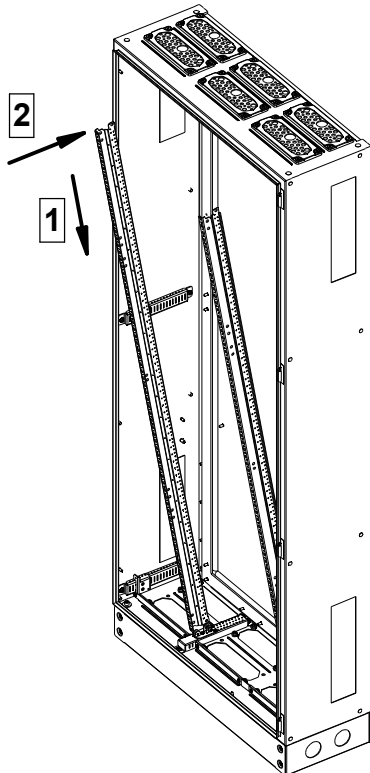
| Position | A | B | C |
|----------|--------------|---------------|---------------|
| 1 | 61 mm | 216 mm | 234 mm |
| 2 | 71 mm | 206 mm | 224 mm |
| 3* | 81 mm | 196 mm | 214 mm |
| 4 | 91 mm | 186 mm | 204 mm |
| 5 | 101 mm | 176 mm | 194 mm |
| 6 | 111 mm | 166 mm | 184 mm |
| 7 | 121 mm | 156 mm | 174 mm |

* basic position

1

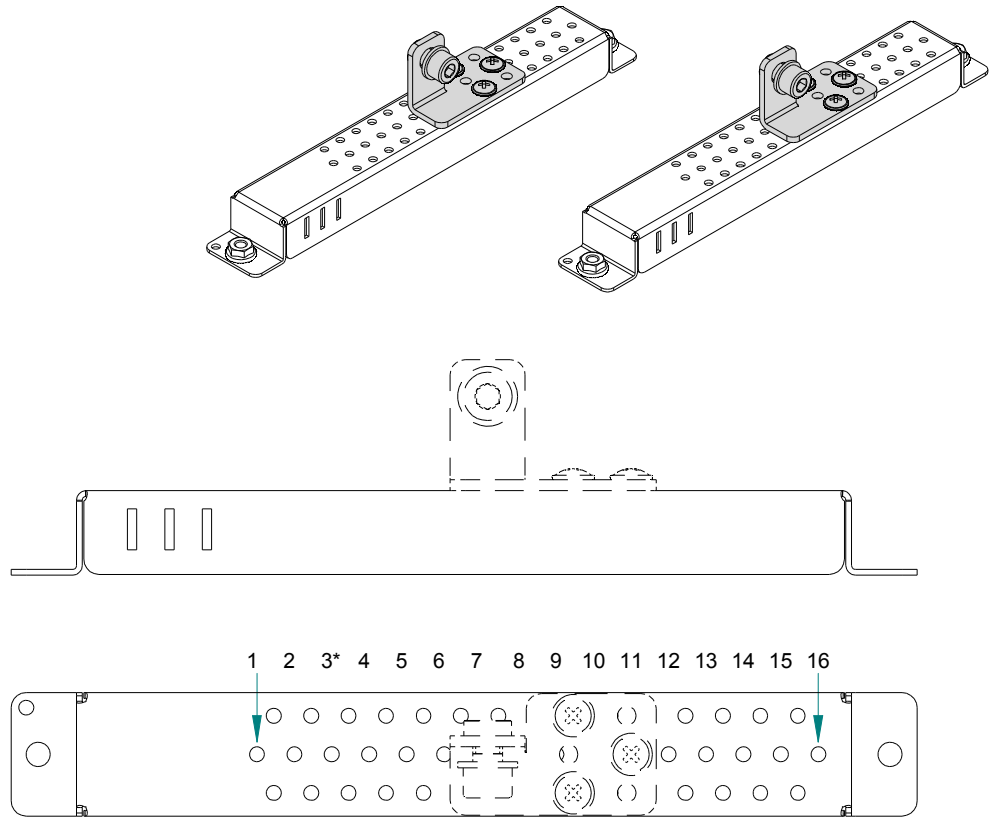
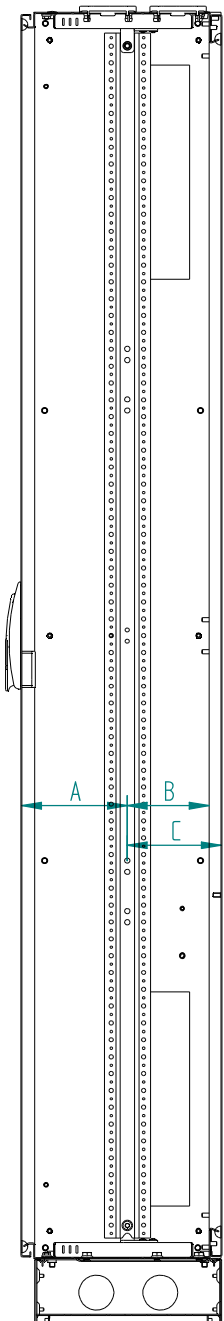
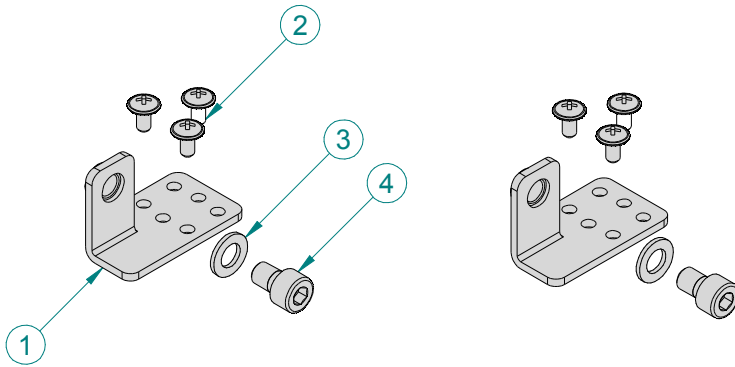


2



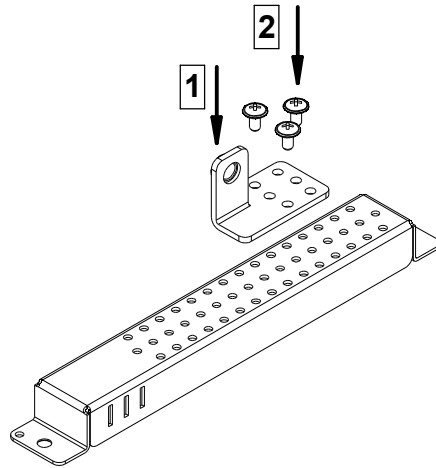
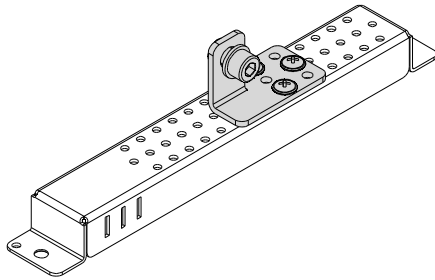
EP-A 001338306

| EP-A 001338306 | | | |
|----------------|-------------|-----------------------|------|
| No. | Type ETI | Name | Pcs. |
| 1 | EP-A-C | Support | 2 |
| 2 | AST 4.8x9.5 | Tapping screw | 6 |
| 3 | AW-R 8 | Washer M8 DIN126 Zn | 2 |
| 4 | AS-SH 8x16 | Screw M8x16 DIN912 Zn | 2 |

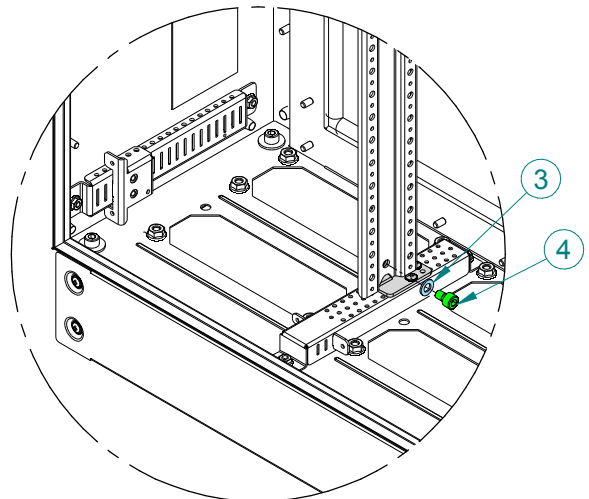
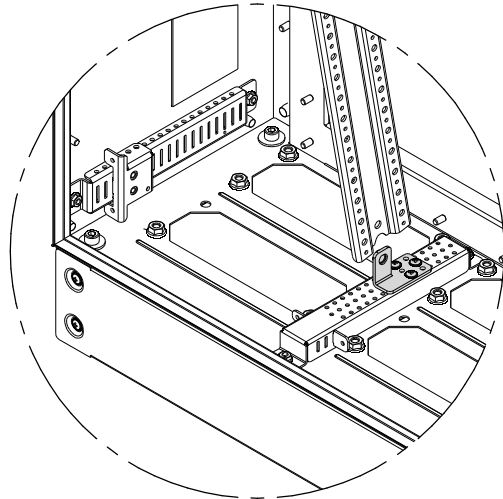
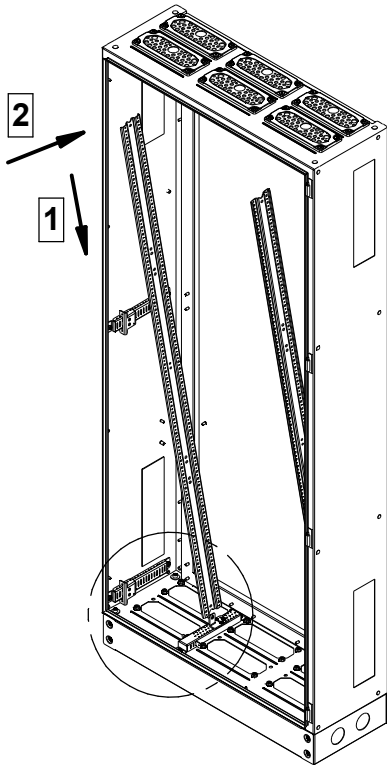


| HXS300 | | | |
|----------|--------|--------|--------|
| Position | A | B | C |
| 1 | -- | -- | -- |
| 2 | -- | -- | -- |
| 3* | 76 mm | 201 mm | 219 mm |
| 4 | 86 mm | 191 mm | 209 mm |
| 5 | 96 mm | 181 mm | 199 mm |
| 6 | 106 mm | 171 mm | 189 mm |
| 7 | 116 mm | 161 mm | 179 mm |
| 8 | 126 mm | 151 mm | 169 mm |
| 9 | 136 mm | 141 mm | 159 mm |
| 10 | 146 mm | 131 mm | 149 mm |
| 11 | 156 mm | 121 mm | 139 mm |
| 12 | 166 mm | 111 mm | 129 mm |
| 13 | 176 mm | 101 mm | 119 mm |
| 14 | 186 mm | 91 mm | 109 mm |
| 15 | 196 mm | 81 mm | 99 mm |
| 16 | 206 mm | 71 mm | 89 mm |
| 17 | 216 mm | 61 mm | 79 mm |
| 18 | 226 mm | 51 mm | 69 mm |
| 19 | 236 mm | 41 mm | 59 mm |

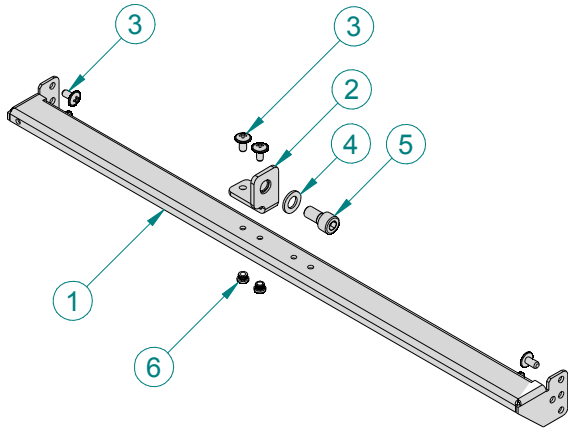
1



2

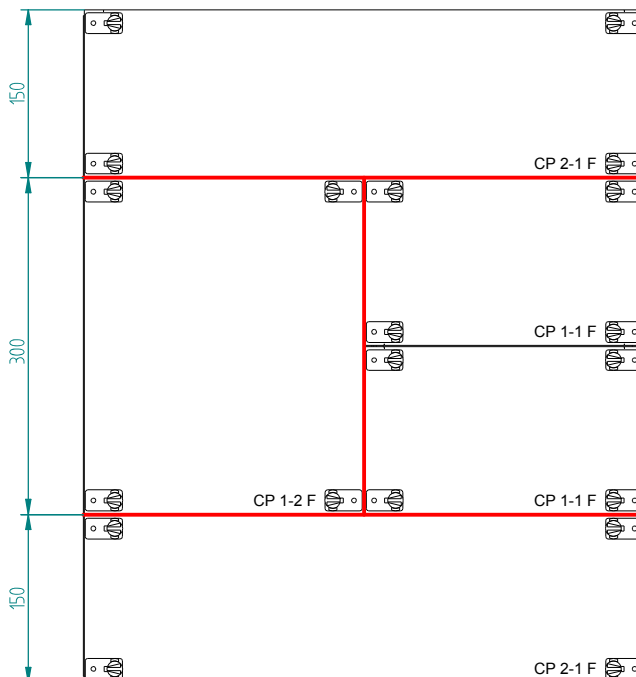
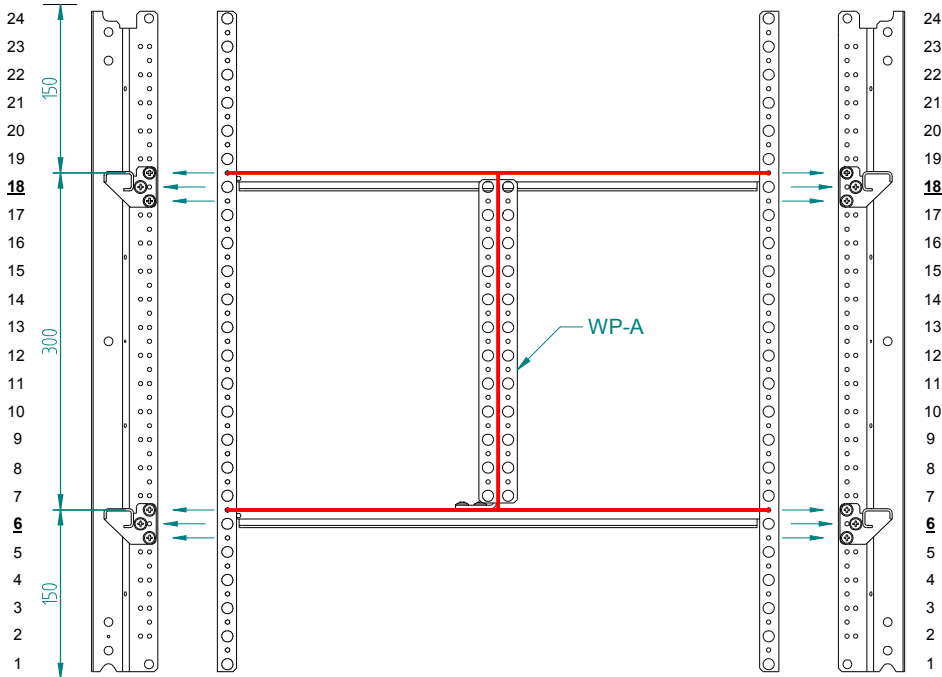


BL-WP

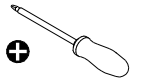
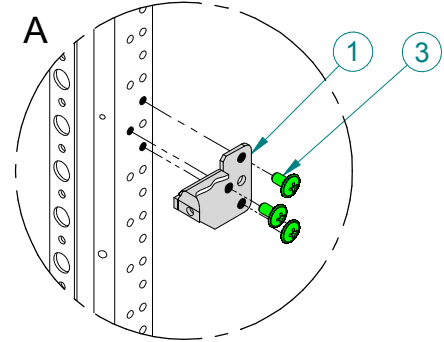
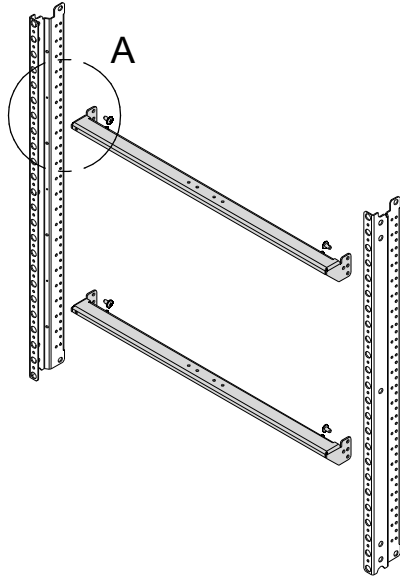


| BL-WP 2 001338900 | | | |
|-------------------|-------------|-----------------------|------|
| No. | Type ETI | Name | Pcs. |
| 1 | BL-WP-2-C | Support | 1 |
| 2 | BL-EP | Support | 1 |
| 3 | AST 4.8x9.5 | Tapping screw | 8 |
| 4 | AW-R 8 | Washer M6 DIN126 Zn | 1 |
| 5 | AS-SH 8x12 | Screw M8x12 DIN912 Zn | 1 |
| 6 | BP-6 | Rubber plug | 2 |

| BL-WP 3 001338901 | | | |
|-------------------|-------------|-----------------------|------|
| No. | Type ETI | Name | Pcs. |
| 1 | BL-WP-3-C | Support | 1 |
| 2 | BL-EP | Support | 2 |
| 3 | AST 4.8x9.5 | Tapping screw | 10 |
| 4 | AW-R 8 | Washer M6 DIN126 Zn | 2 |
| 5 | AS-SH 8x12 | Screw M8x12 DIN912 Zn | 2 |
| 6 | BP-6 | Rubber plug | 4 |



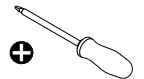
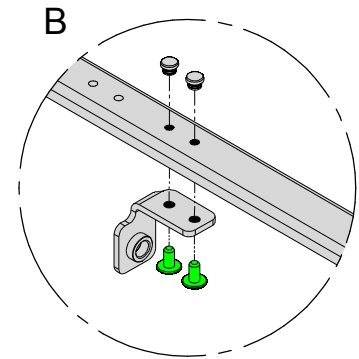
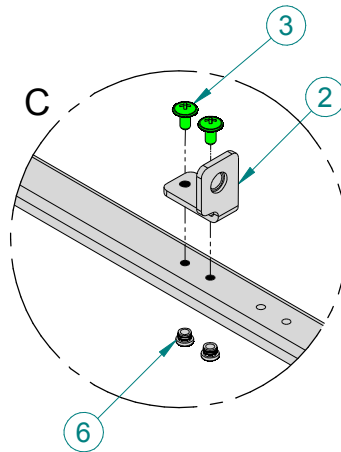
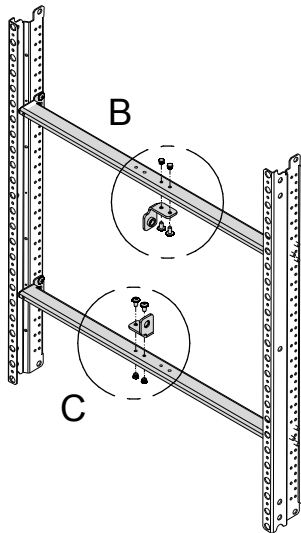
1



Screwdriver PH2
(Wkręćak PH2)

| | | |
|---|-------------|------------|
| 2 | AST 4.8x9.5 | 3.0-3.4 Nm |
|---|-------------|------------|

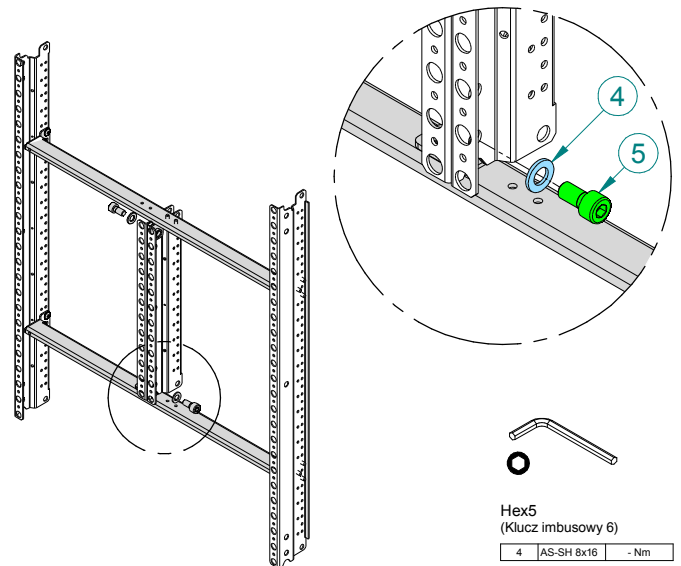
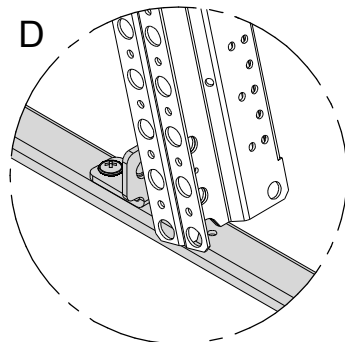
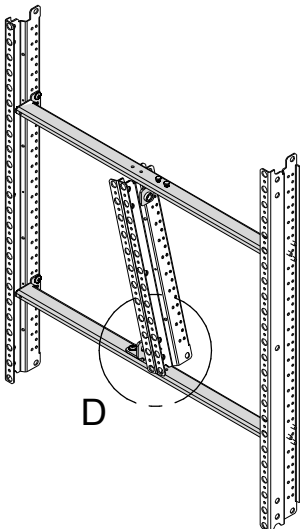
2



Screwdriver PH2
(Wkręćak PH2)

| | | |
|---|-------------|------------|
| 2 | AST 4.8x9.5 | 3.0-3.4 Nm |
|---|-------------|------------|

3

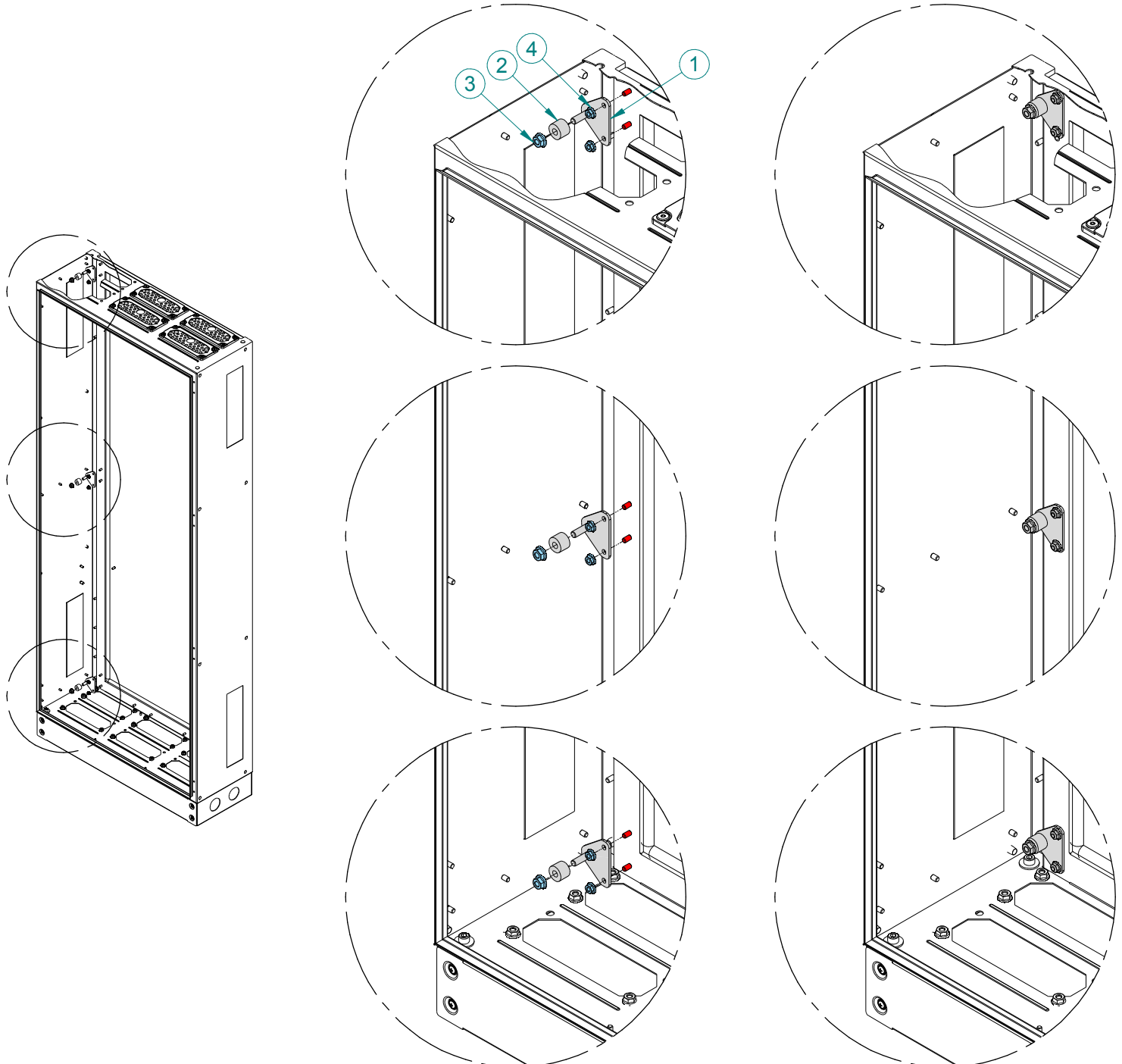
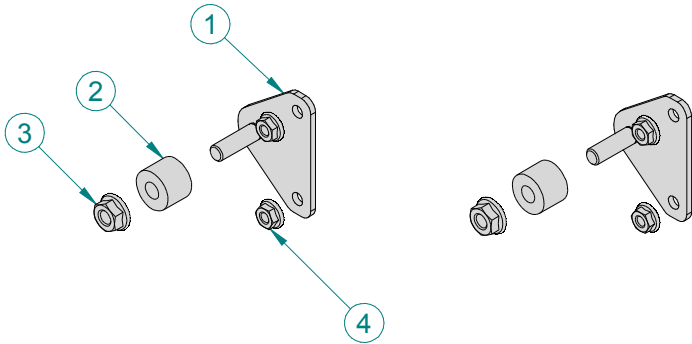


Hex5
(Klucz imbusowy 6)

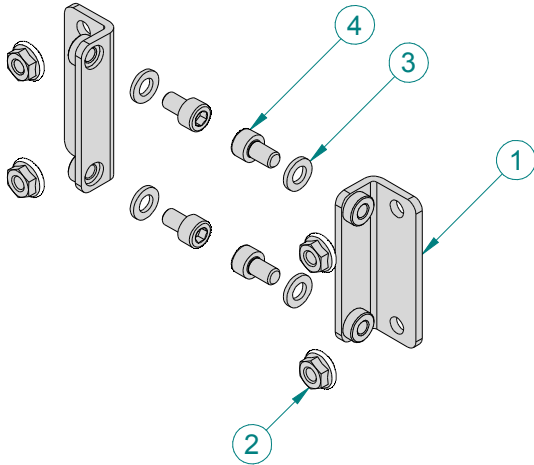
| | | |
|---|------------|------|
| 4 | AS-SH 8x16 | - Nm |
|---|------------|------|

UA-B 001338102

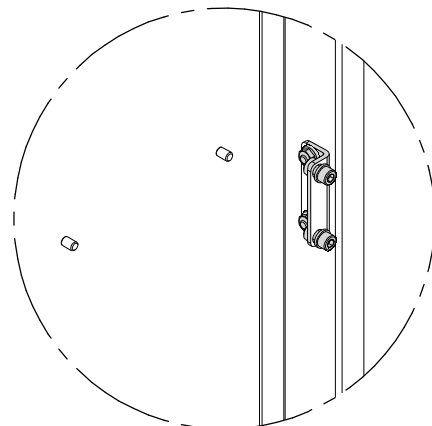
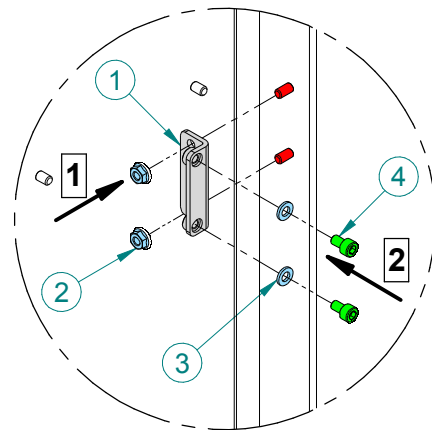
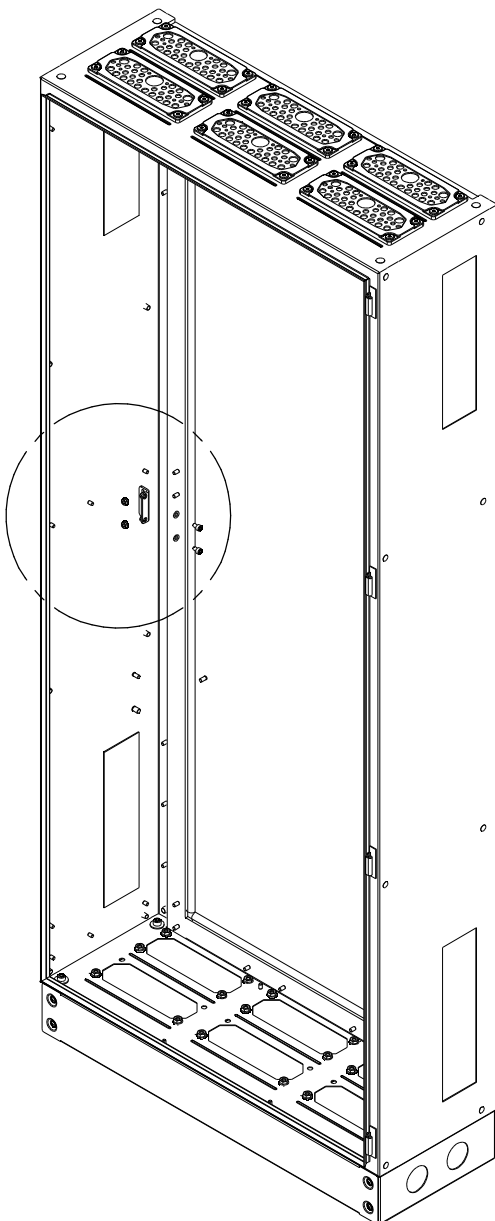
| UA-B 001338102 | | | |
|----------------|--------------|------------------------------|------|
| No. | Type ETI | Name | Pcs. |
| 1 | UA-B-C | Holder | 2 |
| 3 | TU-D20-d8-15 | Spacer roll | 2 |
| 4 | AN-FSH 8 | Nut flange serrat DIN6923 Zn | 2 |
| 2 | AN-FSH 6 | Nut flange serrat DIN6923 Zn | 4 |



UA-B-WD 001338103

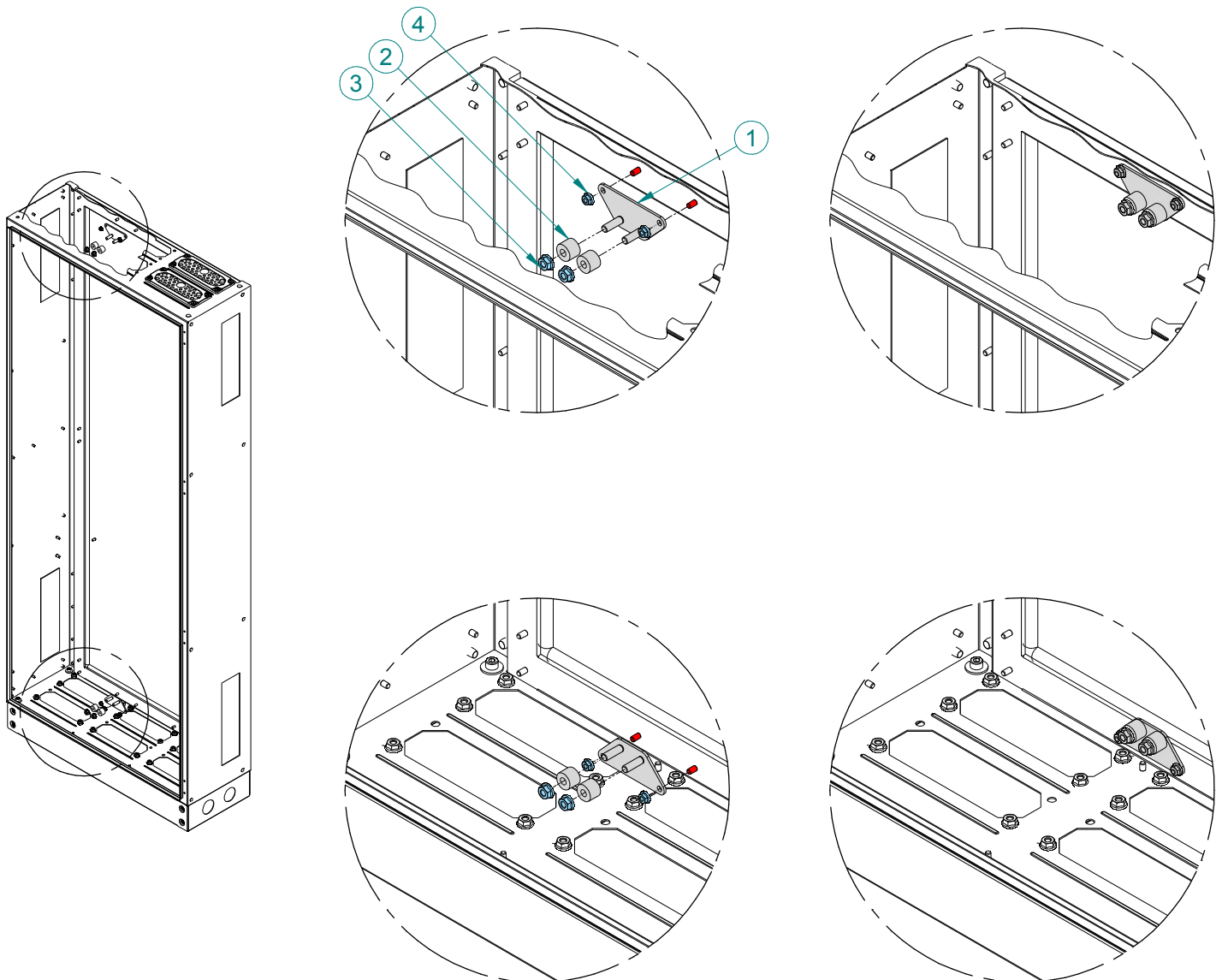
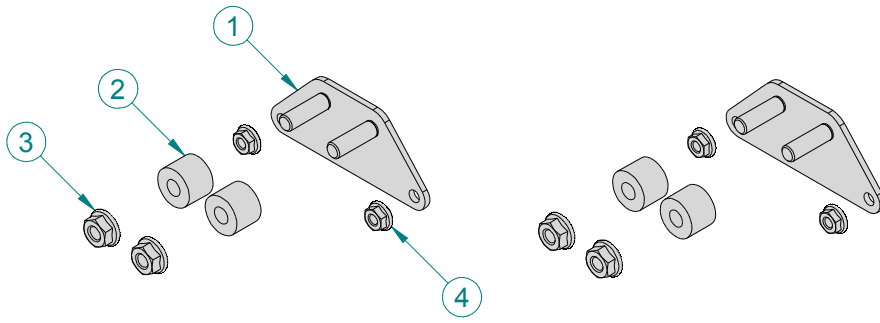


| UA-B-WD 001338103 | | | |
|-------------------|------------|------------------------------|------|
| No. | Type ETI | Name | Pcs. |
| 1 | UA-B-WD-C | Holder | 2 |
| 2 | AN-FSH 6 | Nut flange serrat DIN6923 Zn | 4 |
| 3 | AW-R 6 | Washer M6 DIN126 Zn | 4 |
| 4 | AS-SH 6x10 | Screw M6x10 DIN912 Zn | 4 |



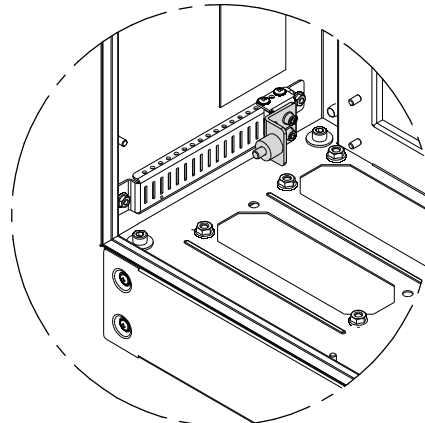
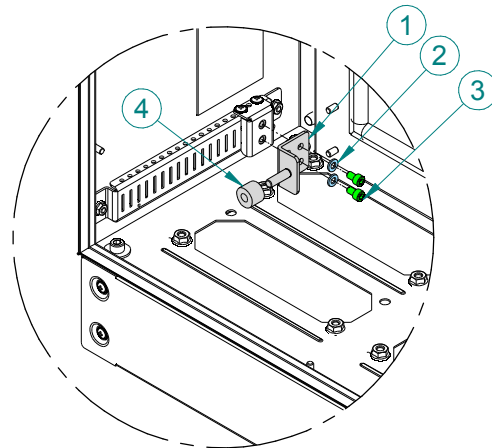
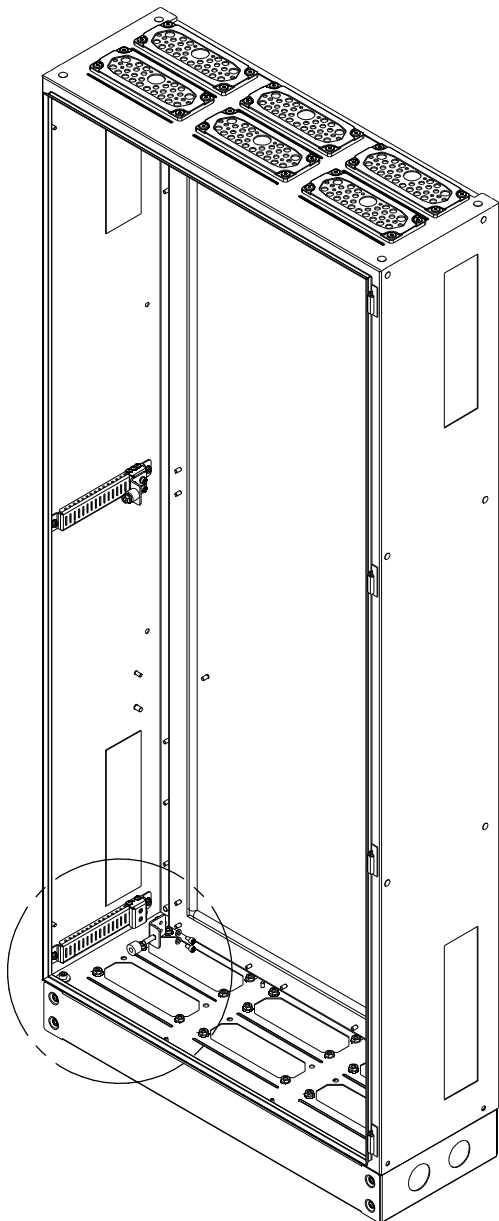
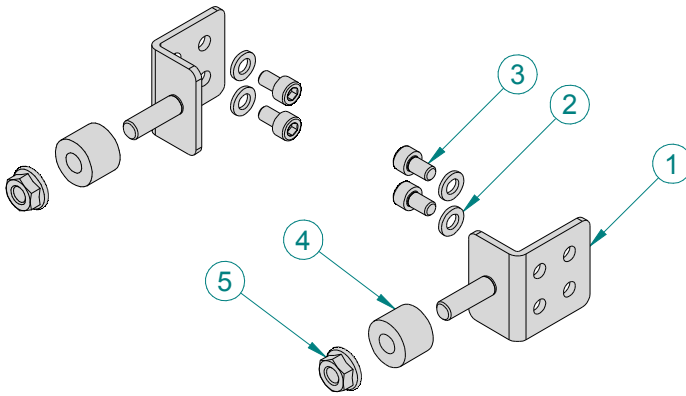
UA-S 001338104

| UA-S 001338104 | | | |
|----------------|--------------|------------------------------|------|
| No. | Type ETI | Name | Pcs. |
| 1 | UA-S-C | Holder | 2 |
| 3 | TU-D20-d8-15 | Spacer roll | 4 |
| 4 | AN-FSH 8 | Nut flange serrat DIN6923 Zn | 2 |
| 2 | AN-FSH 6 | Nut flange serrat DIN6923 Zn | 4 |

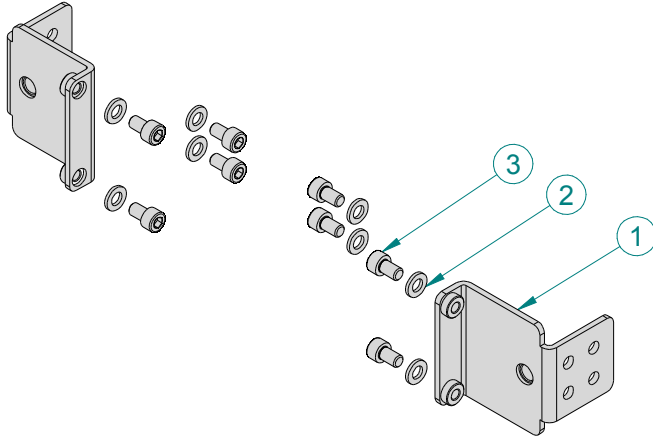


UR-B 001338115

| UR-B 001338115 | | | |
|----------------|--------------|------------------------------|------|
| No. | Type ETI | Name | Pcs. |
| 1 | UR-B-C | Holder | 2 |
| 2 | AW-R 6 | Washer M6 DIN126 Zn | 4 |
| 3 | AS-SH 6x10 | Screw M6x10 DIN912 Zn | 4 |
| 4 | TU-D20-d8-15 | Spacer roll | 2 |
| 5 | AN-FSH 8 | Nut flange serrat DIN6923 Zn | 2 |

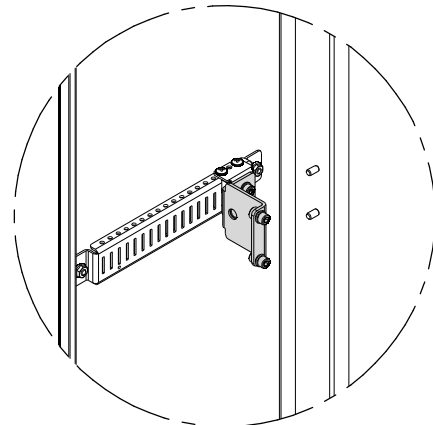
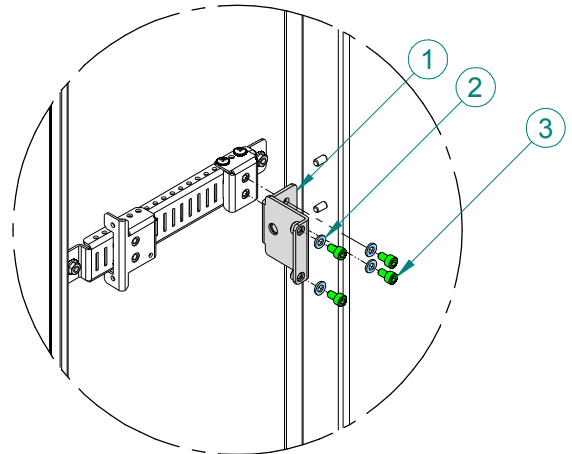
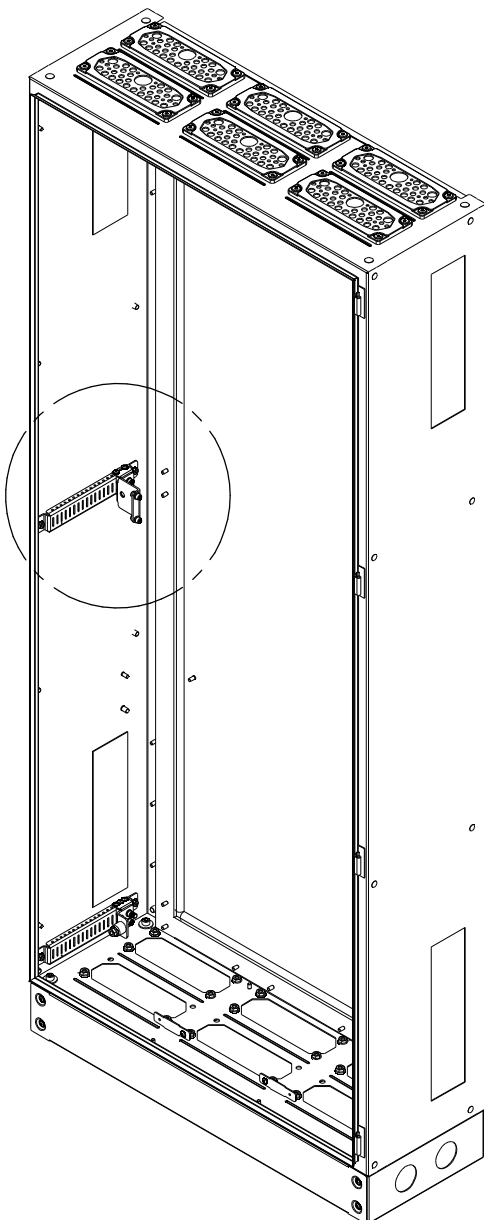


UR-B-WD 001338116



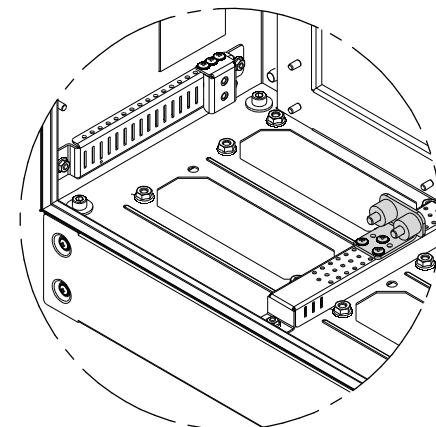
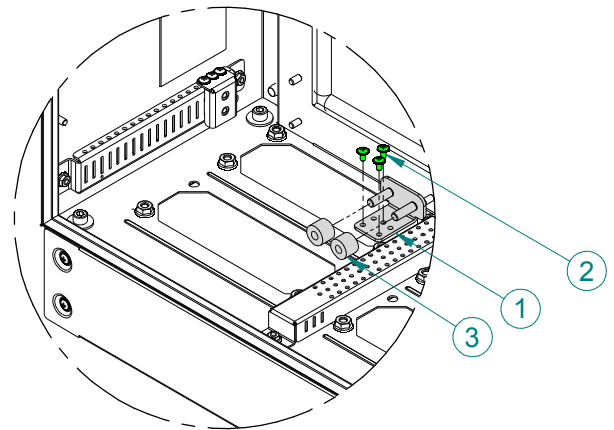
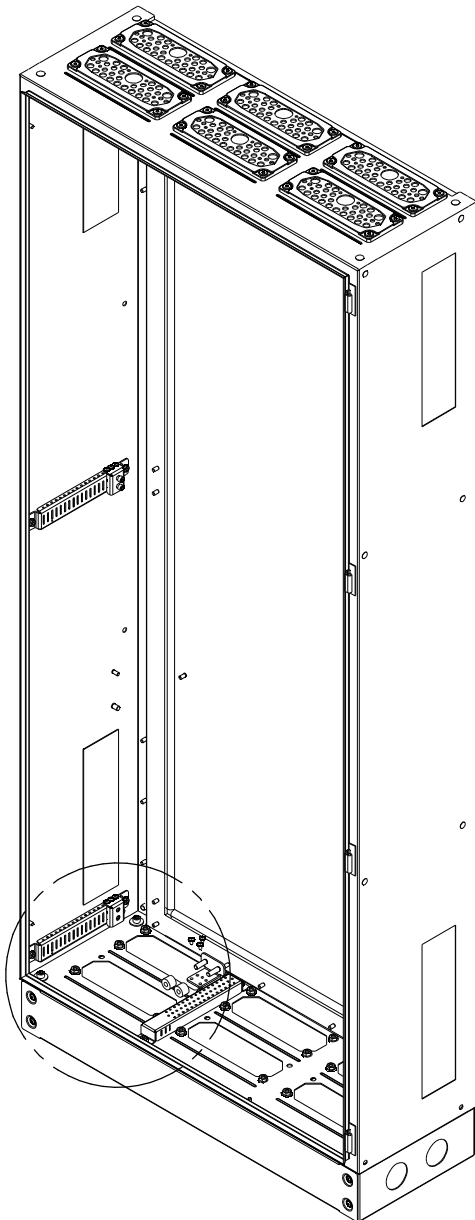
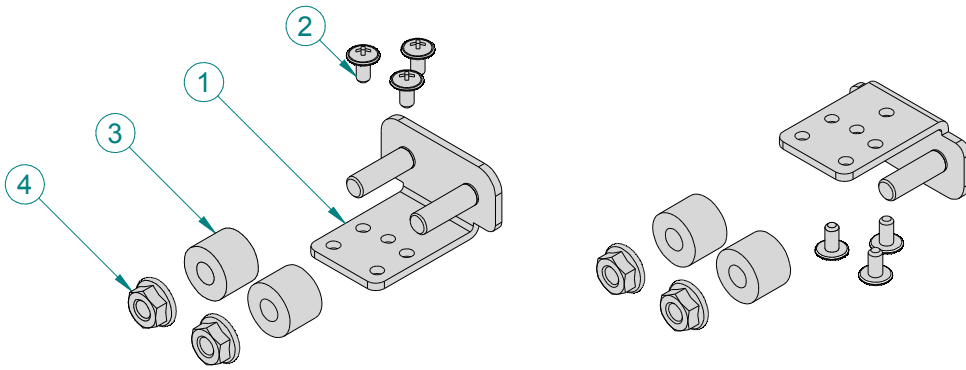
| UR-B-WD | | 001338116 | |
|---------|------------|-----------------------|------|
| No. | Type ETI | Name | Pcs. |
| 1 | UR-B-WD-C | Holder | 2 |
| 2 | AW-R 6 | Washer M6 DIN126 Zn | 8 |
| 3 | AS-SH 6x10 | Screw M6x10 DIN912 Zn | 8 |

1

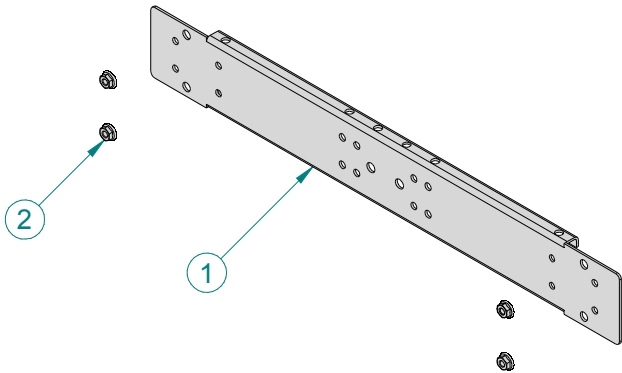


UR-S 001338117

| UR-S 001338117 | | | |
|----------------|--------------|------------------------------|------|
| No. | Type ETI | Name | Pcs. |
| 1 | UR-S-C | Holder | 2 |
| 2 | AST 4.8x9.5 | Tapping screw | 6 |
| 3 | TU-D20-d8-15 | Spacer roll | 4 |
| 4 | AN-FSH 8 | Nut flange serrat DIN6923 Zn | 4 |

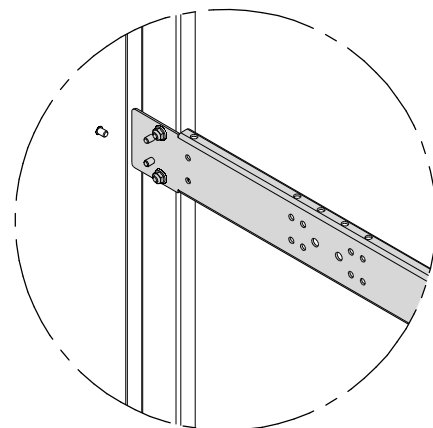
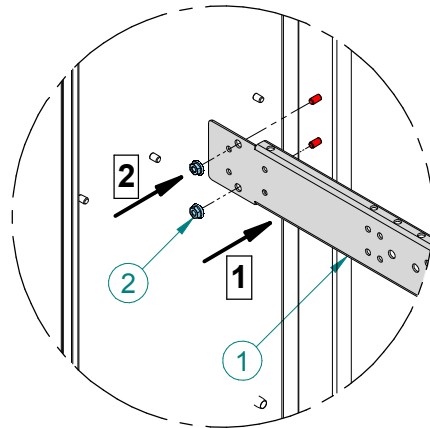
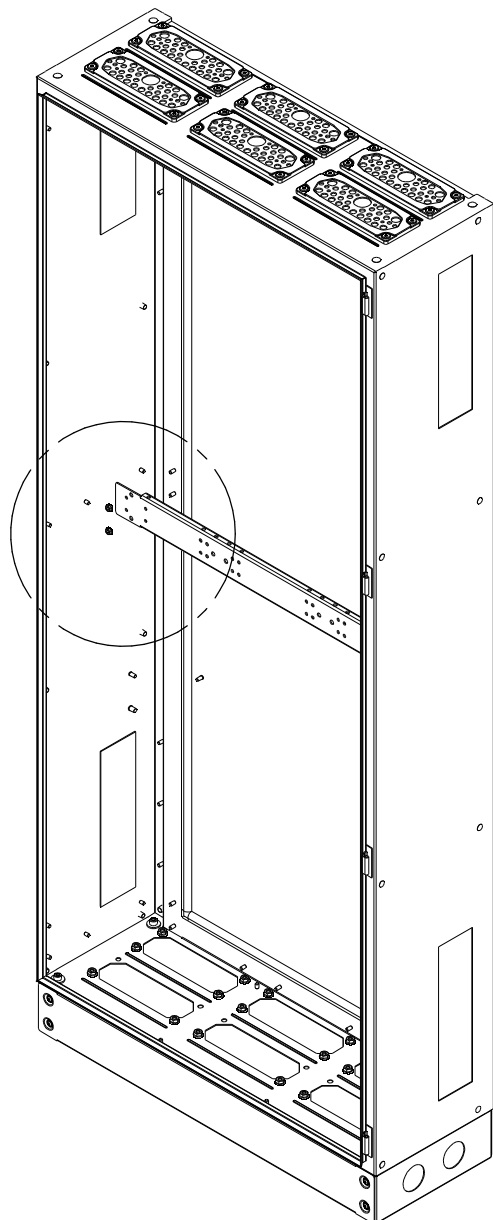


BL-UA

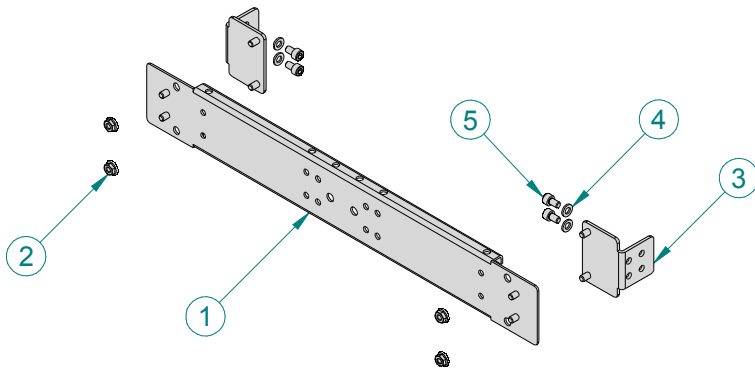


| BL-UA 2 001338130 | | | |
|-------------------|-----------|------------------------------|------|
| No. | Type ETI | Name | Pcs. |
| 1 | BL-UA-2-C | Stiffening bars | 1 |
| 2 | AN-FSH 6 | Nut flange serrat DIN6923 Zn | 2 |

| BL-UA 3 001338131 | | | |
|-------------------|-----------|------------------------------|------|
| No. | Type ETI | Name | Pcs. |
| 1 | BL-UA-3-C | Stiffening bars | 1 |
| 2 | AN-FSH 6 | Nut flange serrat DIN6923 Zn | 2 |



BL-UR

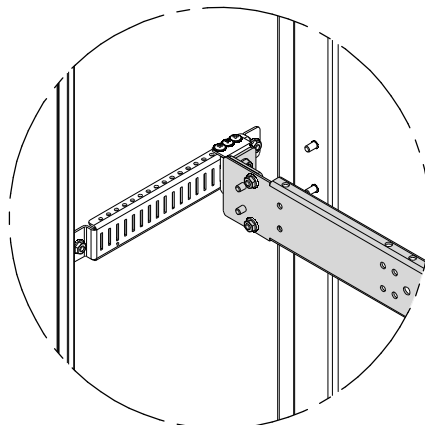
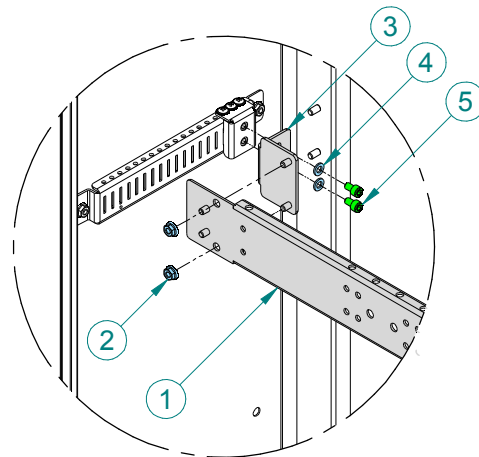
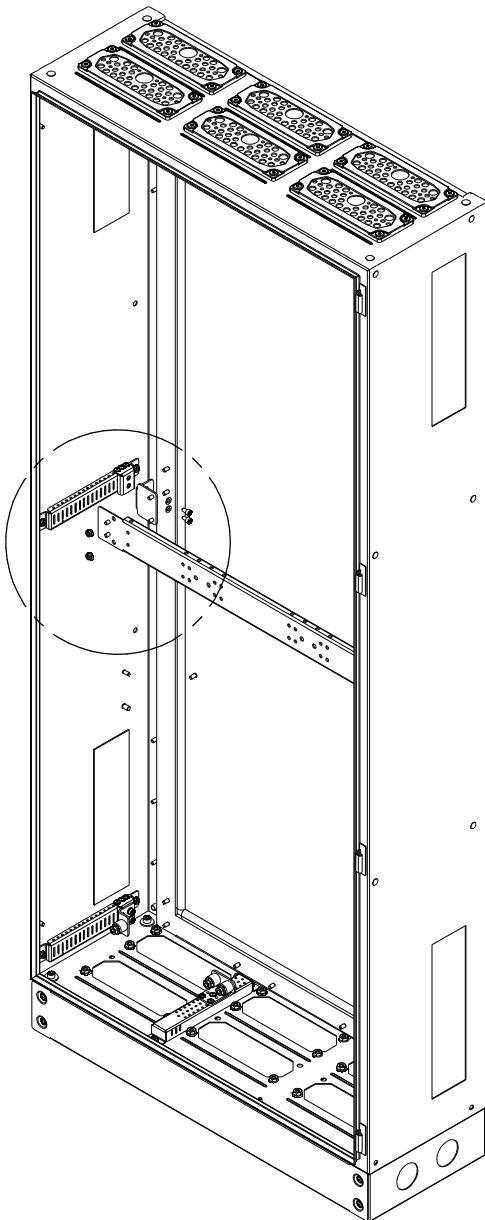


| BL-UR 2 001338145 | | | |
|-------------------|------------|------------------------------|------|
| No. | Type ETI | Name | Pcs. |
| 1 | BL-UA-2-C | Stiffening bars | 1 |
| 2 | AN-FSH 6 | Nut flange serrat DIN6923 Zn | 4 |
| 3 | L-BL-U | Holder | 2 |
| 4 | AW-R 6 | Washer M6 DIN126 Zn | 4 |
| 5 | AS-SH 6x10 | Screw M6x10 DIN912 Zn | 4 |

| BL-UR 3 001338146 | | | |
|-------------------|------------|------------------------------|------|
| No. | Type ETI | Name | Pcs. |
| 1 | BL-UA-3-C | Stiffening bars | 1 |
| 2 | AN-FSH 6 | Nut flange serrat DIN6923 Zn | 4 |
| 3 | L-BL-U | Holder | 2 |
| 4 | AW-R 6 | Washer M6 DIN126 Zn | 4 |
| 5 | AS-SH 6x10 | Screw M6x10 DIN912 Zn | 4 |

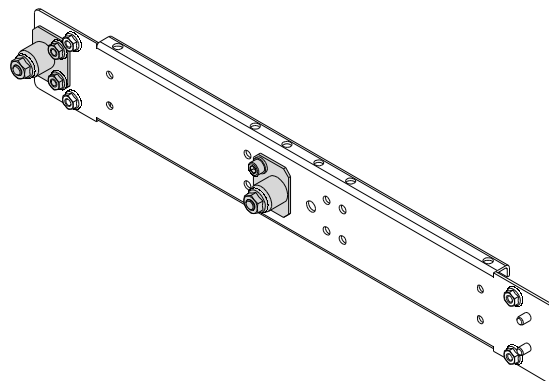
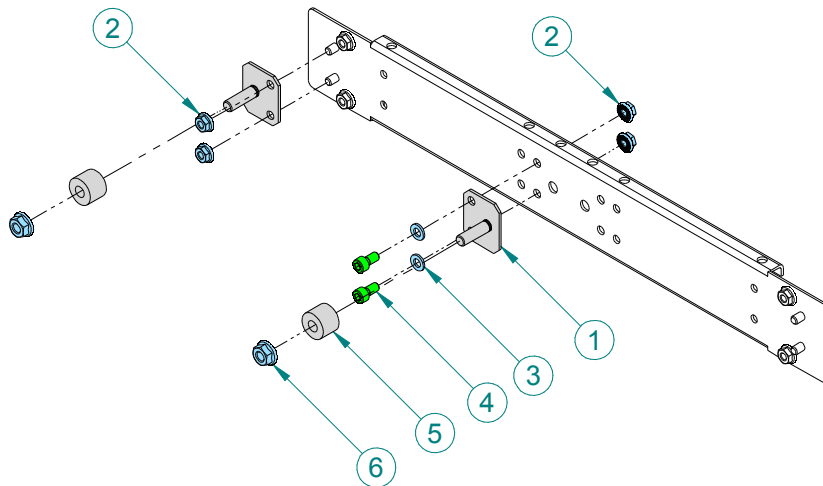
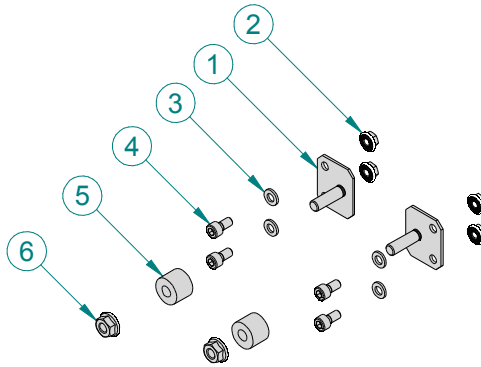
| BL-UR 4 001338147 | | | |
|-------------------|------------|------------------------------|------|
| No. | Type ETI | Name | Pcs. |
| 1 | BL-UA-4-C | Stiffening bars | 1 |
| 2 | AN-FSH 6 | Nut flange serrat DIN6923 Zn | 4 |
| 3 | L-BL-U | Holder | 2 |
| 4 | AW-R 6 | Washer M6 DIN126 Zn | 4 |
| 5 | AS-SH 6x10 | Screw M6x10 DIN912 Zn | 4 |

1

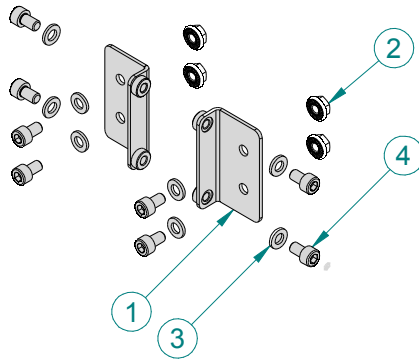


BU-PM 001338160

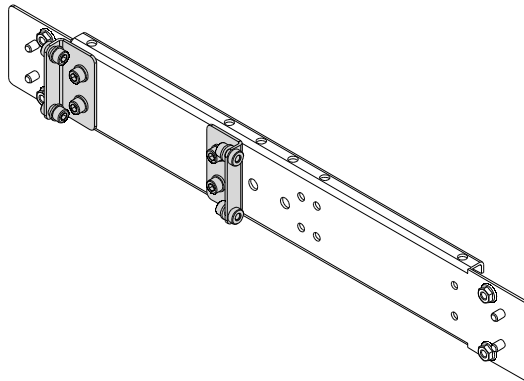
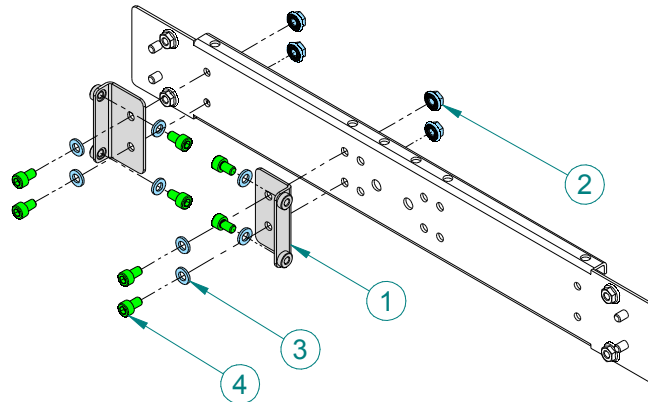
| BU-PM 001338160 | | | |
|-----------------|--------------|------------------------------|------|
| No. | Type ETI | Name | Pcs. |
| 1 | BU-PM-C | Holder | 2 |
| 2 | AN-FSH 6 | Nut flange serrat DIN6923 Zn | 4 |
| 3 | AW-R 6 | Washer M6 DIN126 Zn | 4 |
| 4 | AS-SH 6x10 | Screw M6x10 DIN912 Zn | 4 |
| 5 | TU-D20-d8-15 | Spacer roll | 2 |
| 6 | AN-FSH 8 | Nut flange serrat DIN6923 Zn | 2 |



BU-WD 001338161

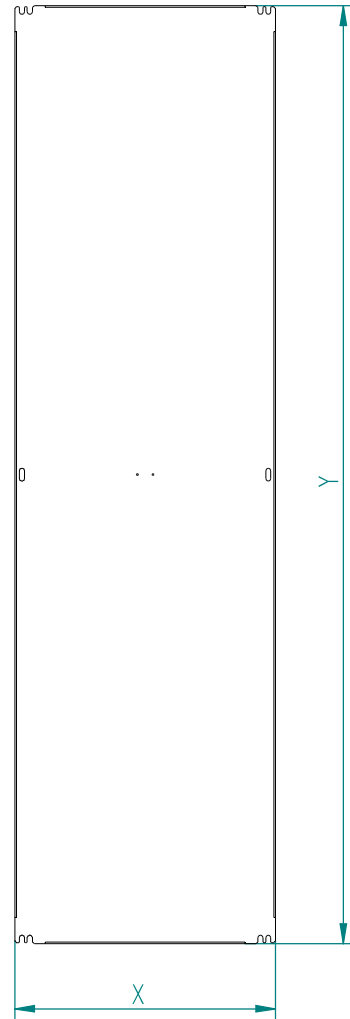
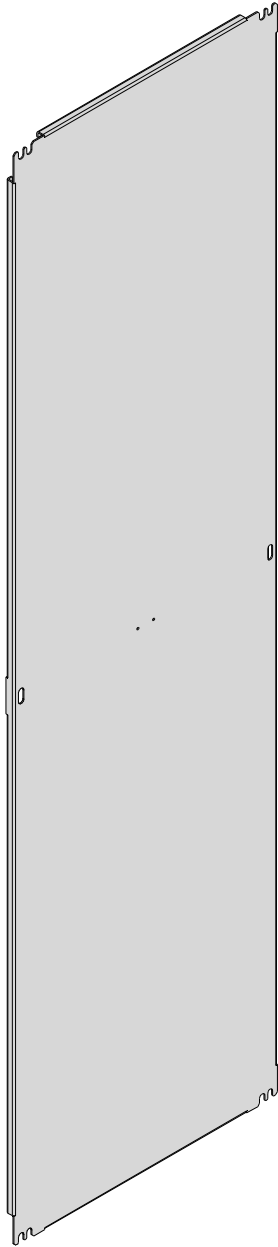


| BU-WD 001338161 | | | |
|-----------------|------------|------------------------------|------|
| No. | Type ETI | Name | Pcs. |
| 1 | BU-WD-C | Holder | 2 |
| 2 | AN-FSH 6 | Nut flange serrat DIN6923 Zn | 4 |
| 3 | AW-R 6 | Washer M6 DIN126 Zn | 8 |
| 4 | AS-SH 6x10 | Screw M6x10 DIN912 Zn | 8 |



PM-G

| Code No | Type | X [mm] | Y [mm] |
|-----------|-----------|--------|--------|
| 001337963 | PM-G 1-12 | 248 | 1790 |
| 001337965 | PM-G 2-12 | 498 | 1790 |
| 001337967 | PM-G 3-12 | 748 | 1790 |
| 001337969 | PM-G 4-12 | 998 | 1790 |

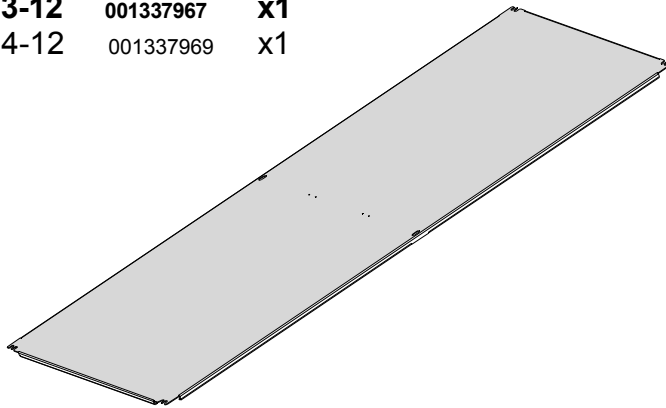


PM-G x-12

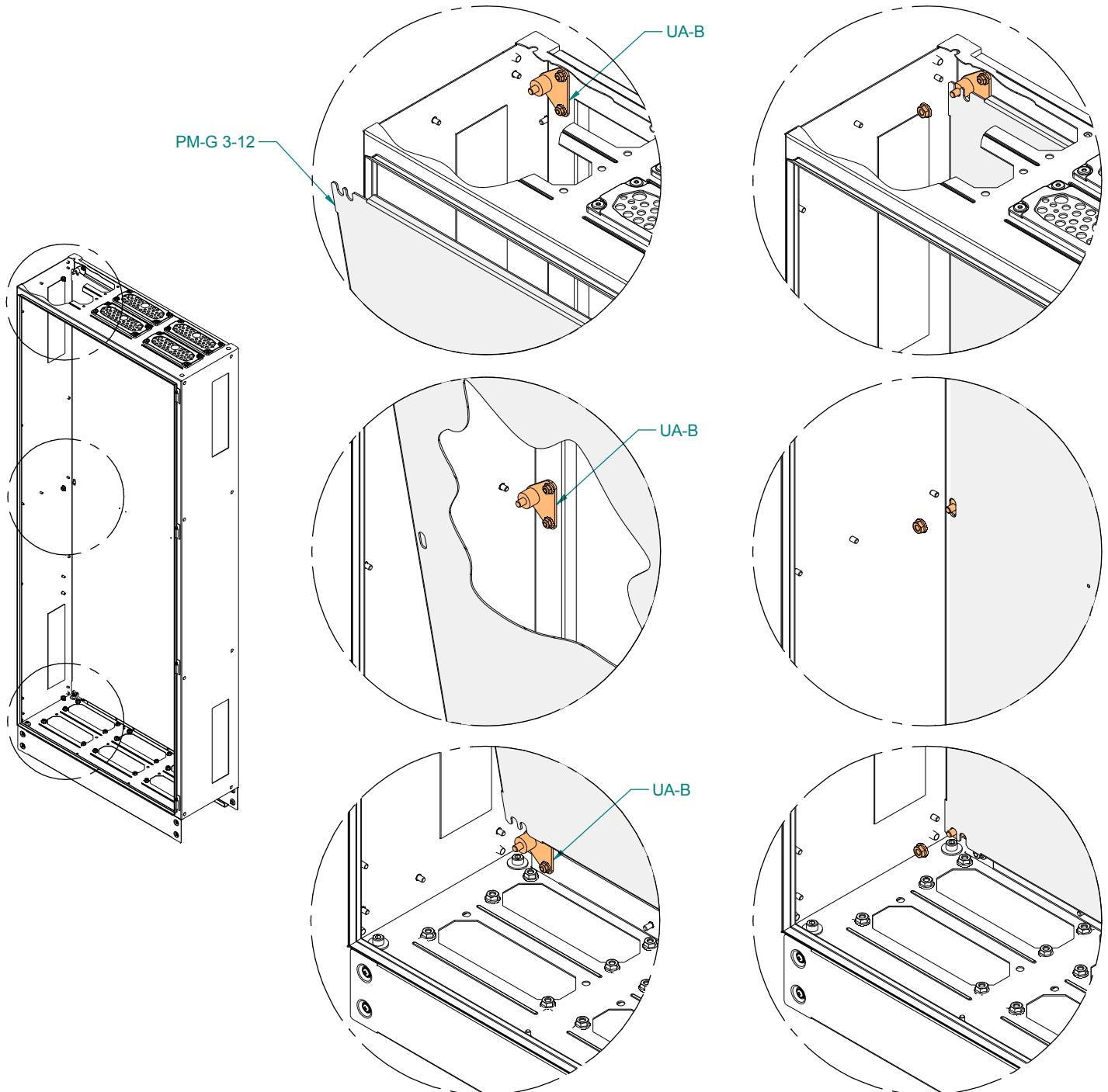
assembling option 1 - fixed

- PM-G 2-12 001337965 x1
- PM-G 3-12 001337967 x1**
- PM-G 4-12 001337969 x1

- UA-B 001338102 x3 (page 23)



PM-G 3-12 + UA-B



PM-G x-12

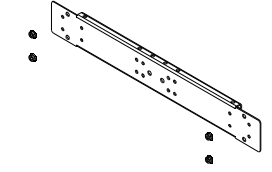
assembling option 2 - fixed

| | | |
|------------------|-----------|-----------|
| PM-G 1-12 | 001337963 | x1 |
| PM-G 2-12 | 001337965 | x1 |
| PM-G 3-12 | 001337967 | x1 |

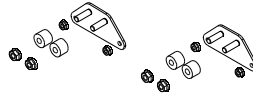
| | | |
|------|-----------|--------------|
| UA-B | 001338102 | x1 (page 23) |
|------|-----------|--------------|



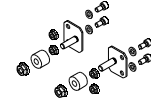
| | | |
|----------------|------------------|---------------------|
| BL-UA 2 | 001338130 | x1 (page 29) |
| BL-UA 3 | 001338131 | x1 (page 29) |
| BL-UA 4 | 001338132 | x1 (page 29) |



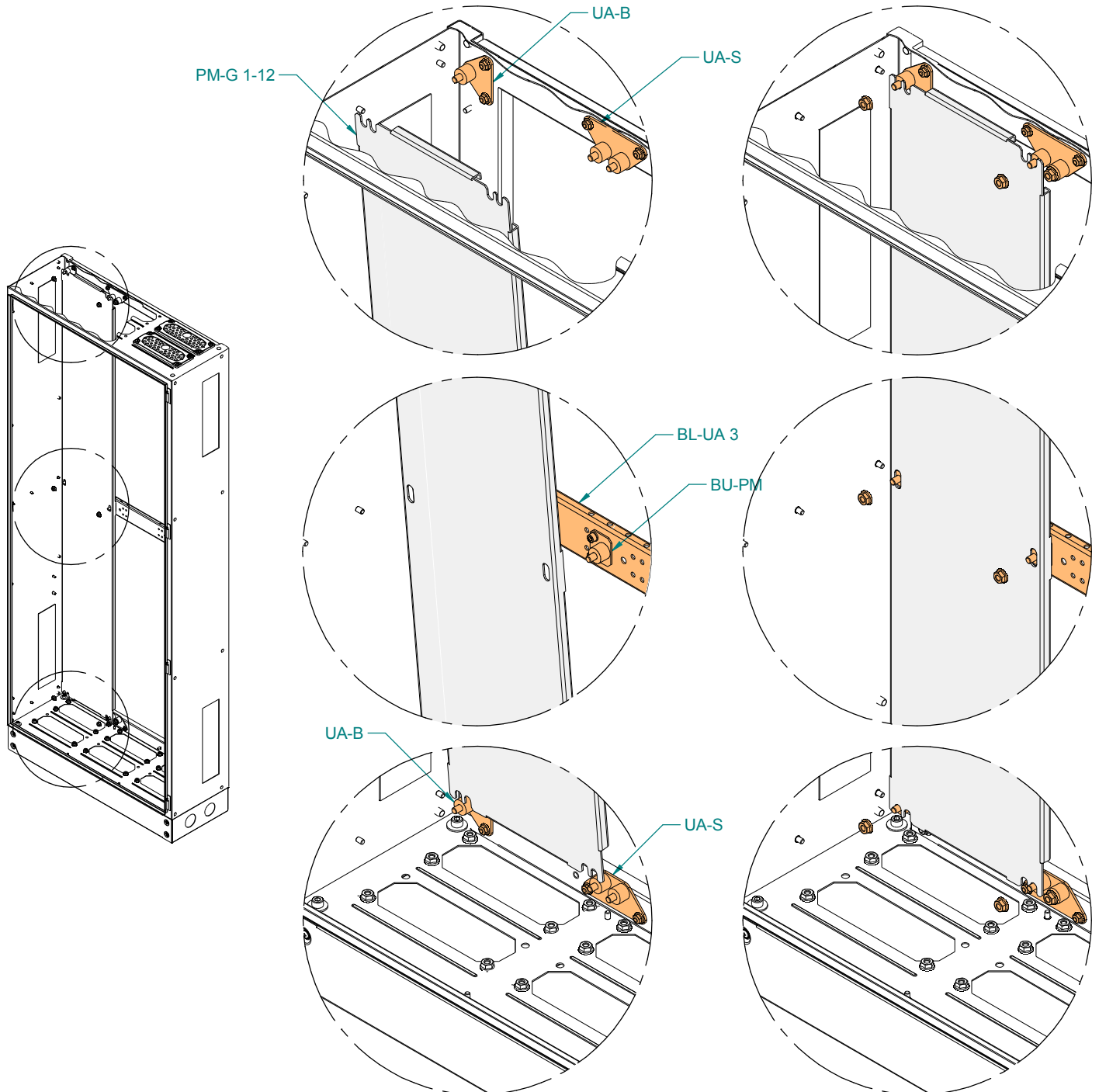
| | | |
|------|-----------|--------------|
| UA-S | 001338104 | x1 (page 25) |
|------|-----------|--------------|



| | | |
|-------|-----------|--------------|
| BU-PM | 001338160 | x1 (page 31) |
|-------|-----------|--------------|



PM-G 1-12 + UA-B + UA-S + BL-UA 3 + BU-PM

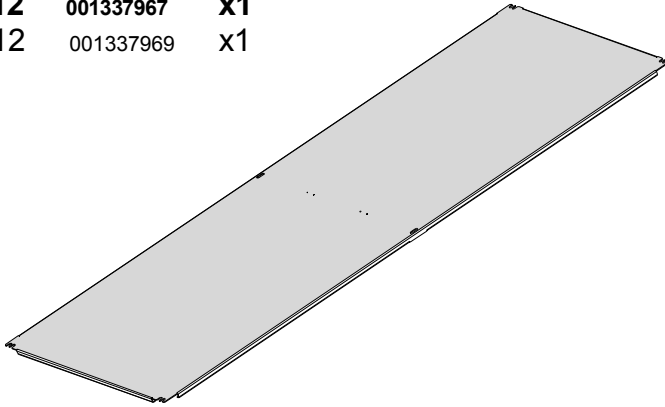
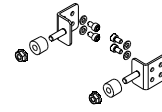


PM-G x-12

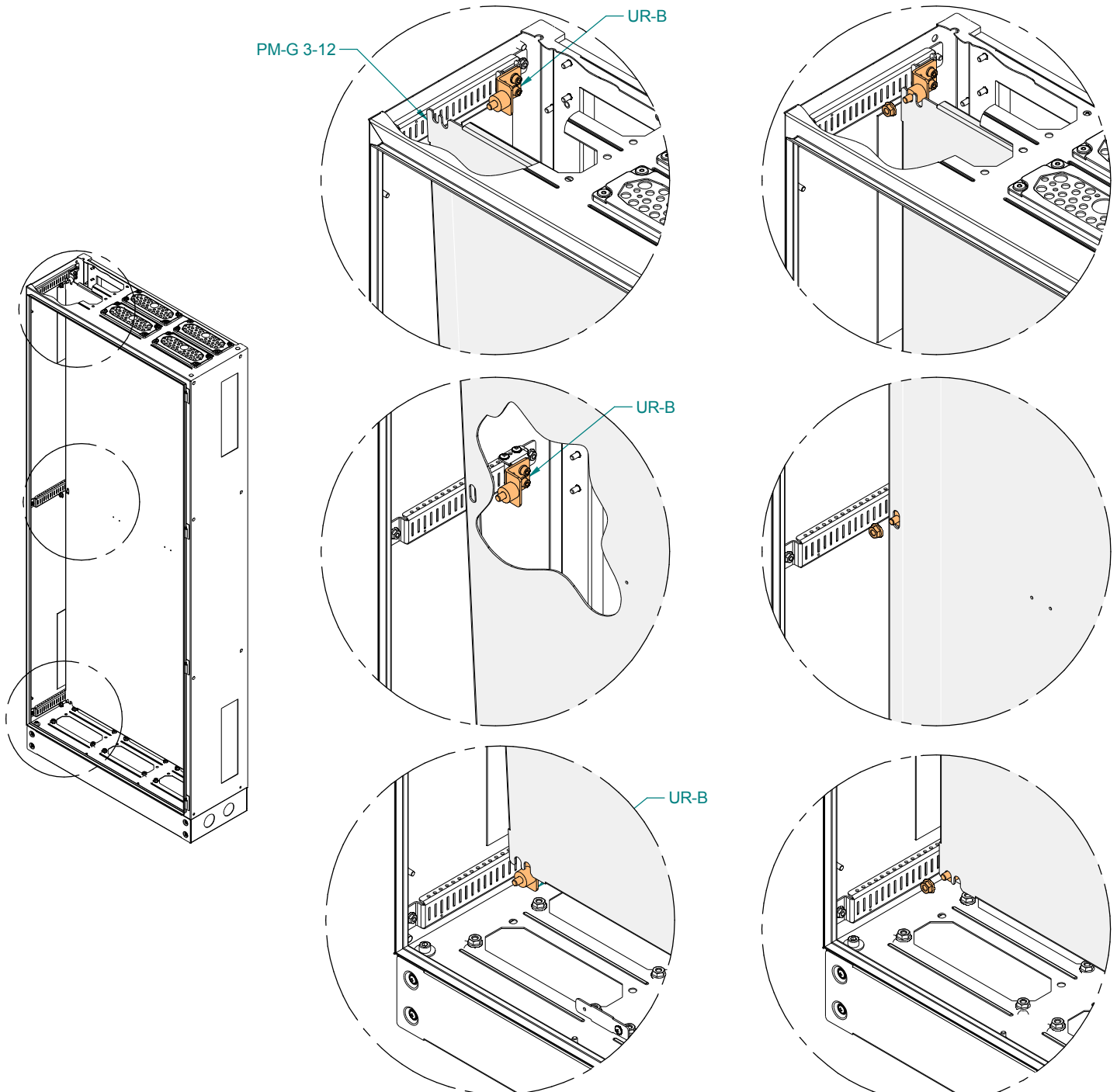
| | | |
|------------------|------------------|-----------|
| PM-G 2-12 | 001337965 | x1 |
| PM-G 3-12 | 001337967 | x1 |
| PM-G 4-12 | 001337969 | x1 |

assembling option 3 - regulation

UR-B 001338115 x3 (page 26)



PM-G 3-12 + UR-B

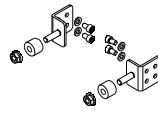


PM-G x-12

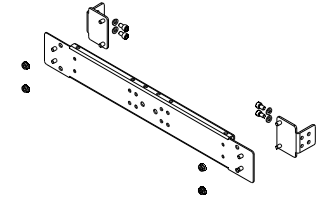
assembling option 4 - regulation

| | | |
|------------------|-----------|-----------|
| PM-G 1-12 | 001337963 | x1 |
| PM-G 2-12 | 001337965 | x1 |
| PM-G 3-12 | 001337967 | x1 |

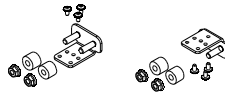
| | | |
|------|-----------|--------------|
| UR-B | 001338115 | x1 (page 26) |
|------|-----------|--------------|



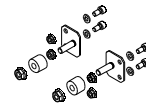
| | | |
|----------------|------------------|--------------|
| BL-UR 2 | 001338145 | x1 (page 30) |
| BL-UR 3 | 001338146 | x1 (page 30) |
| BL-UR 4 | 001338147 | x1 (page 30) |



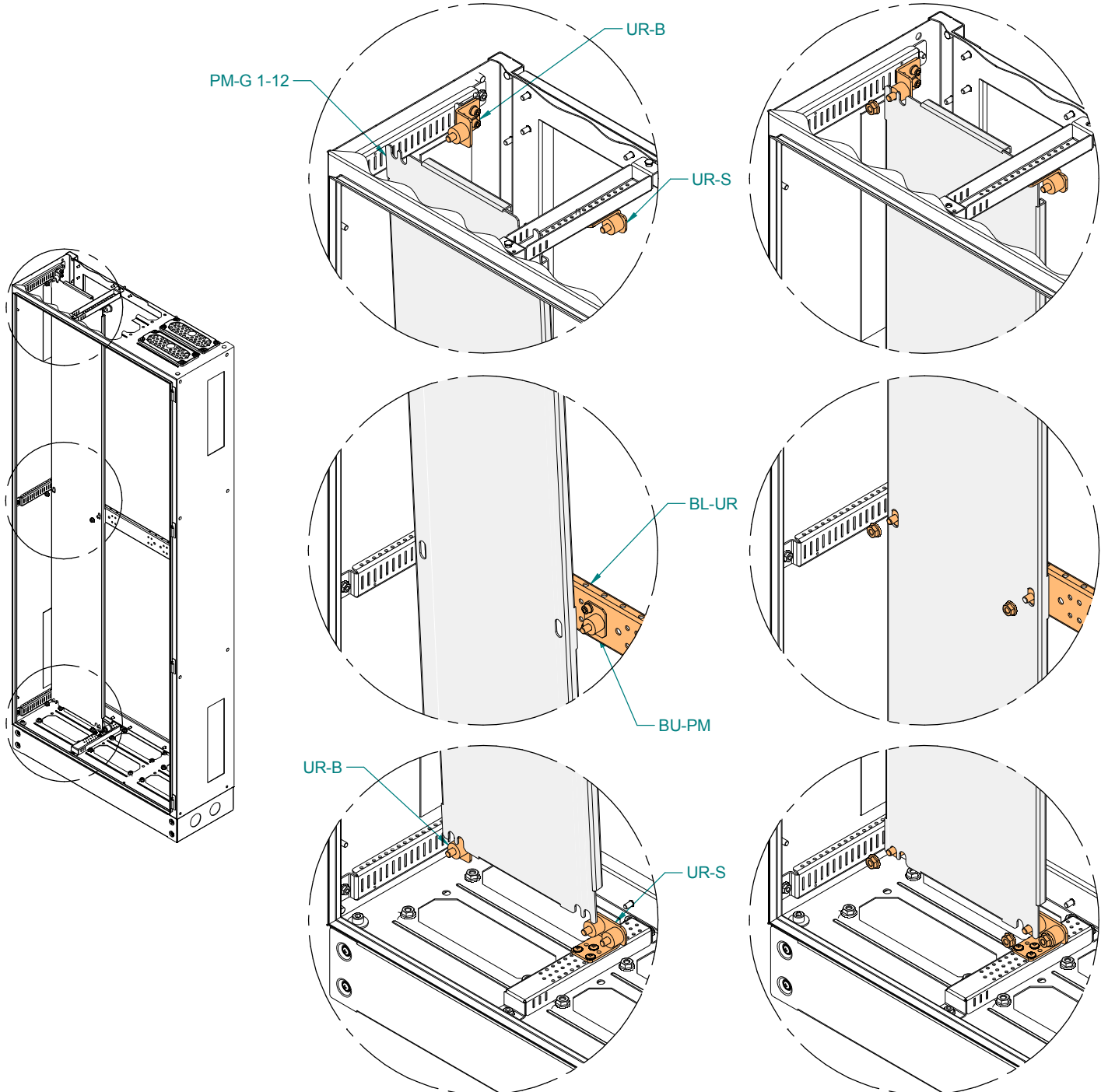
| | | |
|------|-----------|--------------|
| UR-S | 001338117 | x1 (page 28) |
|------|-----------|--------------|



| | | |
|-------|-----------|--------------|
| BU-PM | 001338160 | x1 (page 31) |
|-------|-----------|--------------|

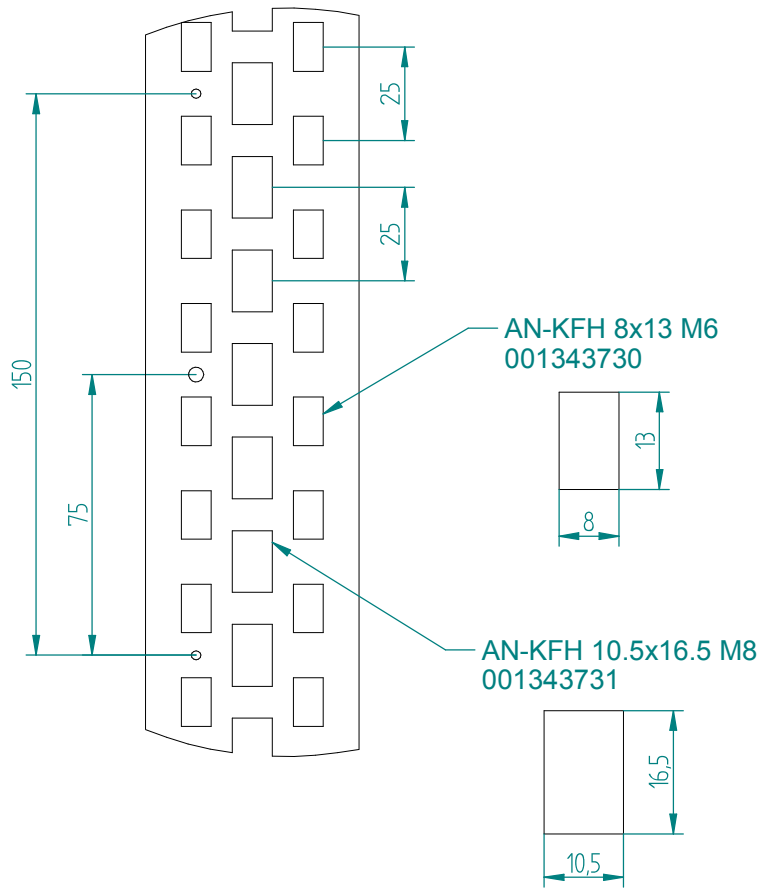
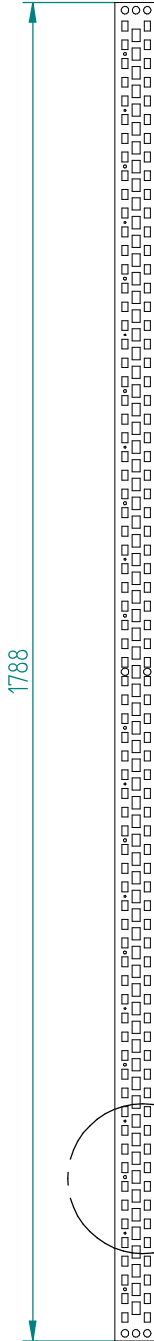


PM-G 1-12 + UR-B + UR-S + BL-UR 3 + BU-PM



WD-K 12

001338864



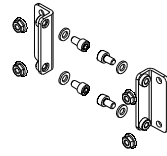
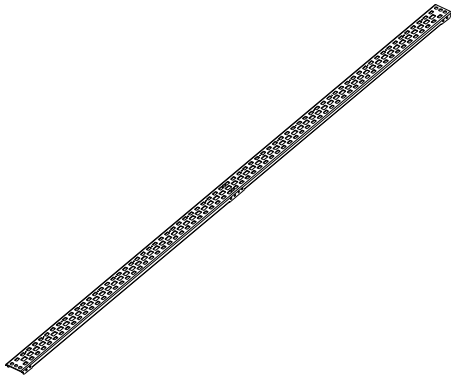
WD-K 12

assembling option 1 - fixed

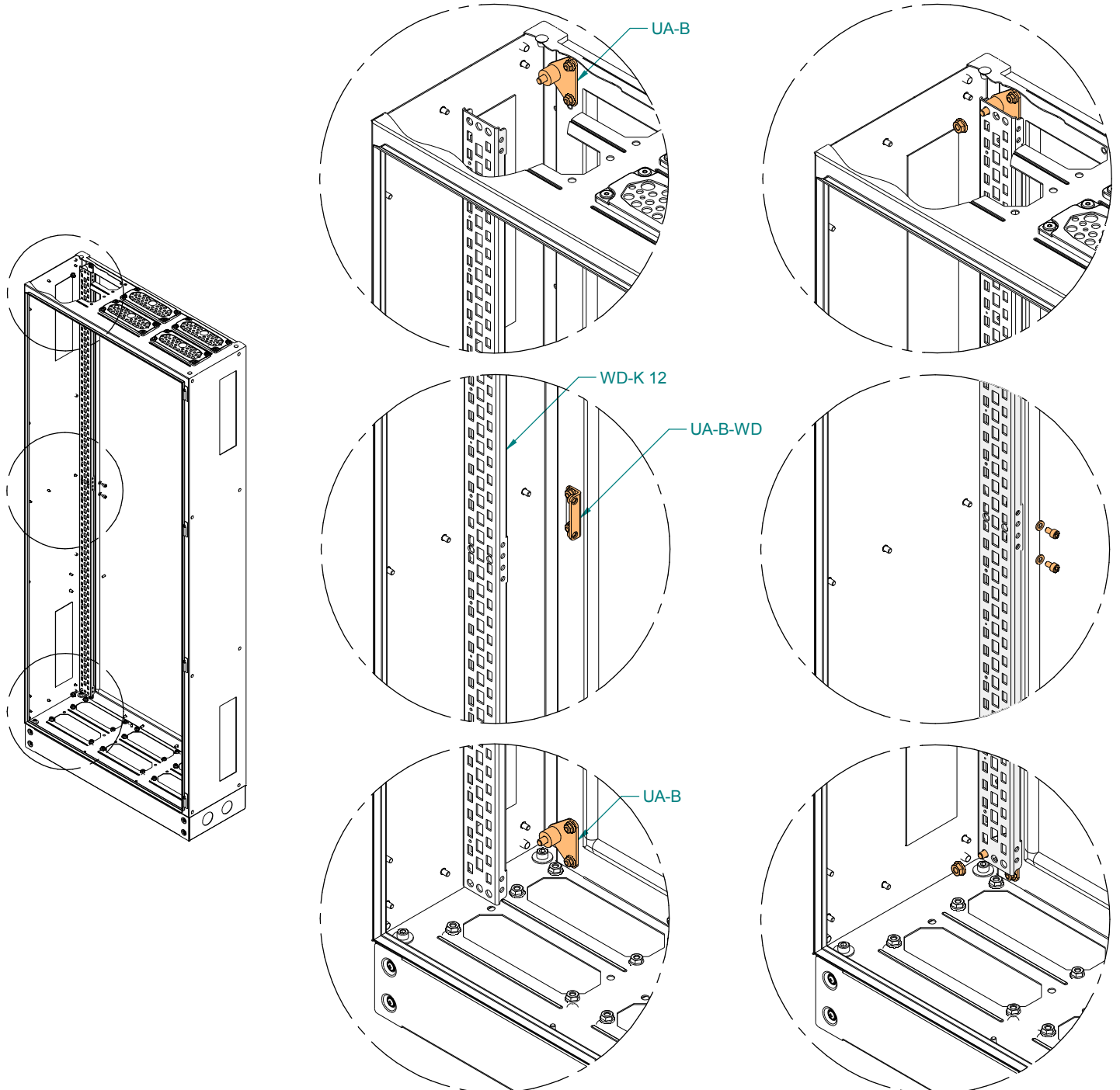
WD-K 12 001338864 x1

UA-B-WD 001338103 x1 (page 24)

UA-B 001338102 x1 (page 23)



WD-K 12 + UA-B-WD + UA-B



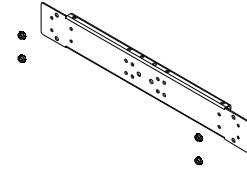
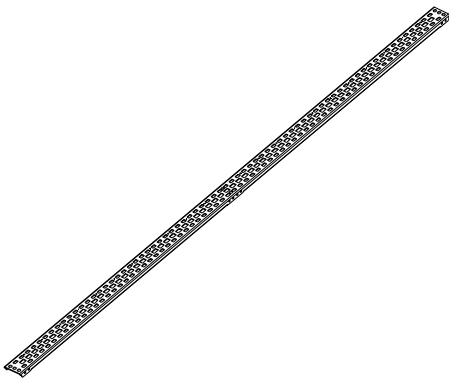
WD-K 12

assembling option 2 - fixed

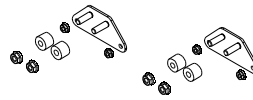
WD-K 12 001338864 x2

UA-B 001338102 x1 (page 23)

BL-UA 2 001338130 x1 (page 29)
 BL-UA 3 001338131 x1 (page 29)
 BL-UA 4 001338132 x1 (page 29)



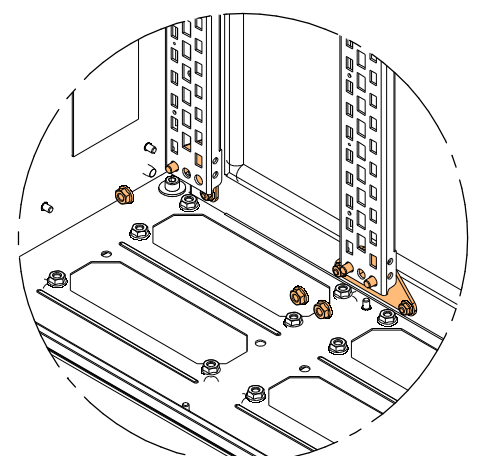
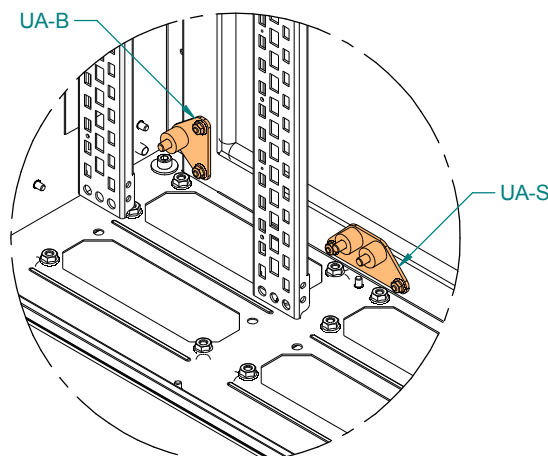
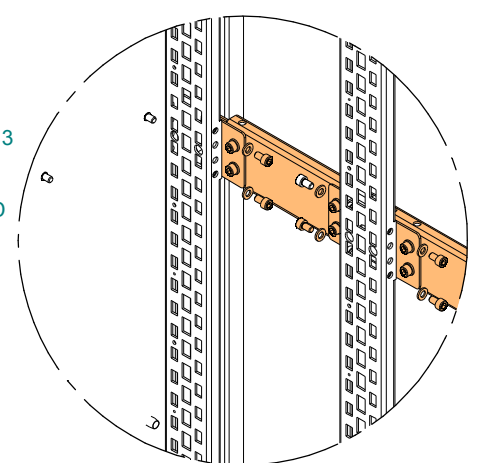
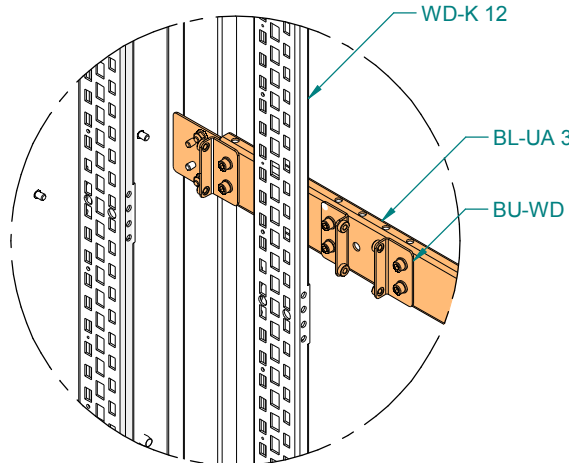
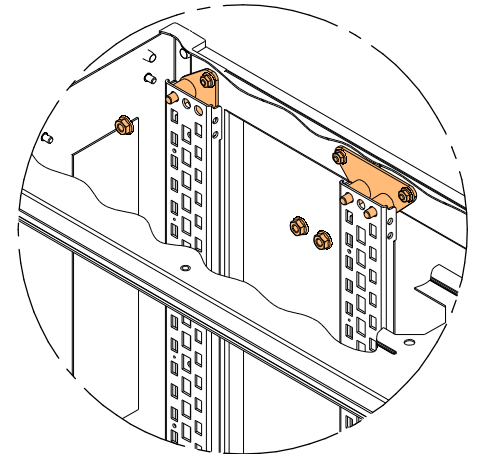
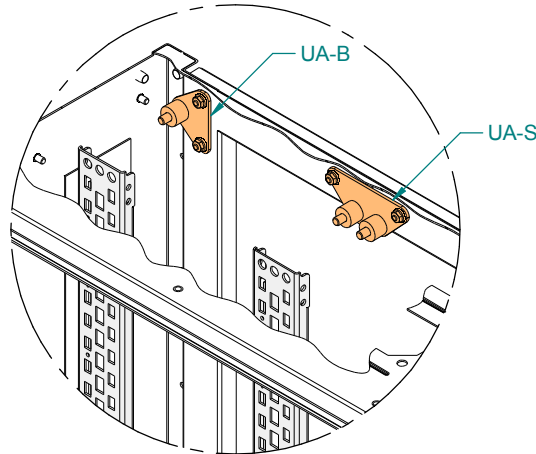
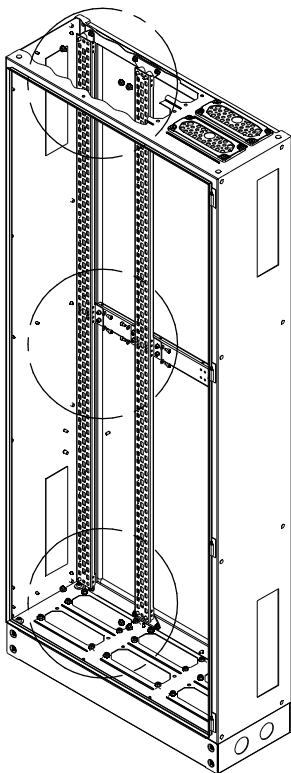
UA-S 001338104 x1 (page 25)



BU-WD 001338161 x1 (page 32)



WD-K 12 + UA-B + UA-S + BL-UA 3 + BU-WD



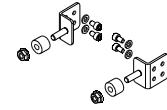
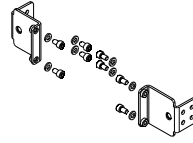
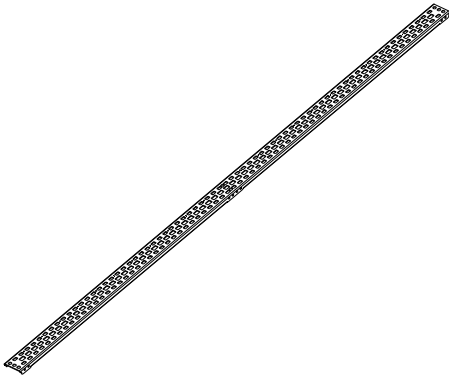
WD-K 12

assembling option 3 - regulation

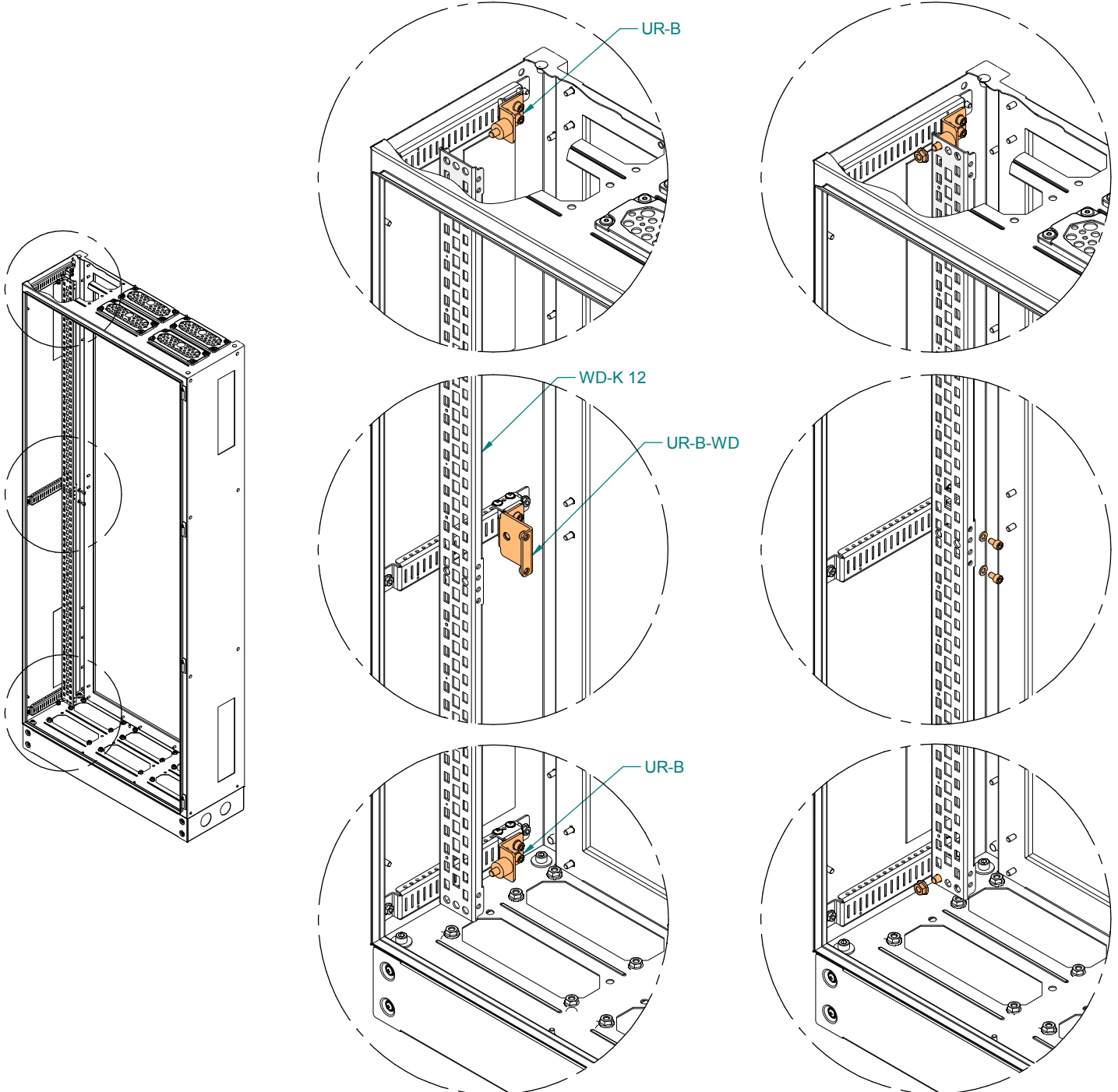
WD-K 12 001338864 x1

UR-B-WD 001338116 x1 (page 27)

UR-B 001338115 x1 (page 26)



WD-K 12 + UR-B-WD + UR-B



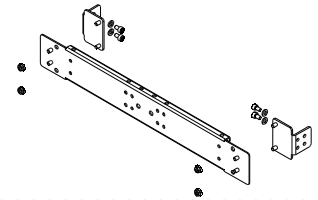
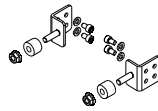
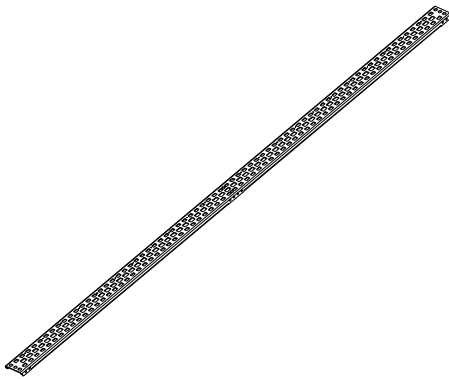
WD-K 12

assembling option 4 - regulation

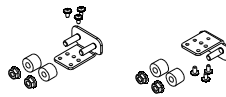
WD-K 12 001338864 x2

UR-B 001338115 x1 (page 26)

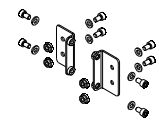
BL-UR 2 001338145 x1 (page 30)
 BL-UR 3 001338146 x1 (page 30)
 BL-UR 4 001338147 x1 (page 30)



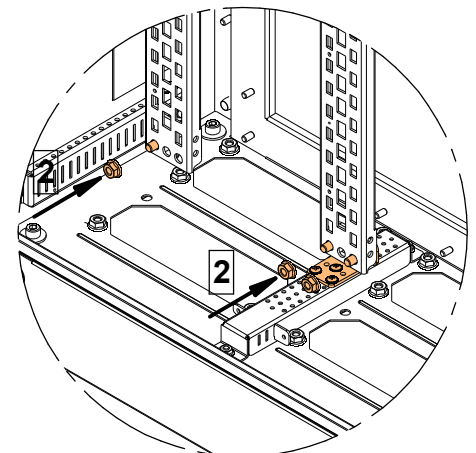
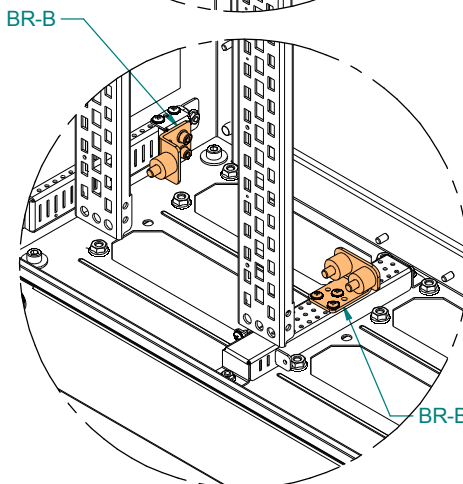
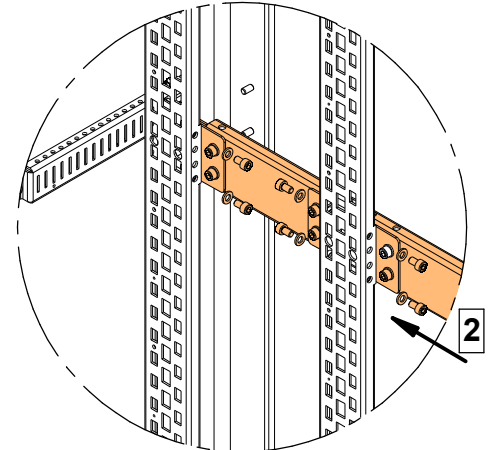
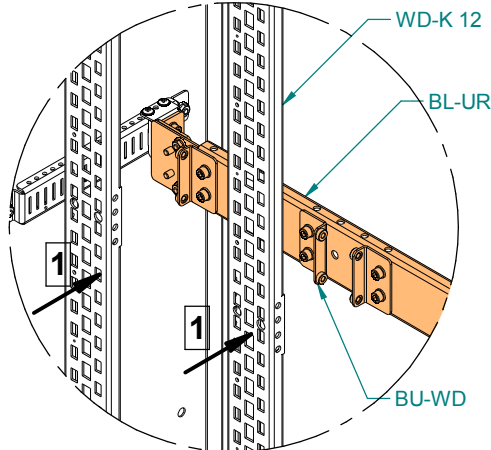
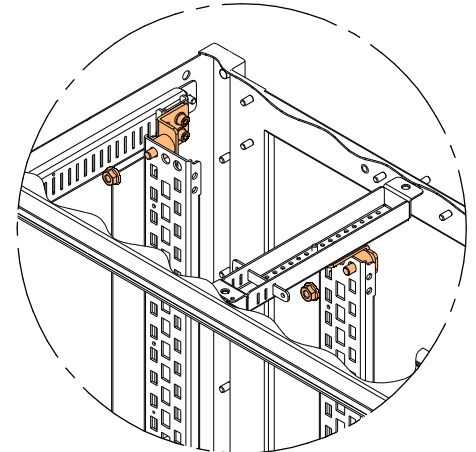
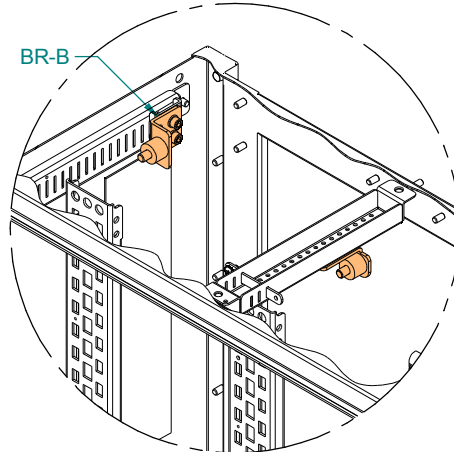
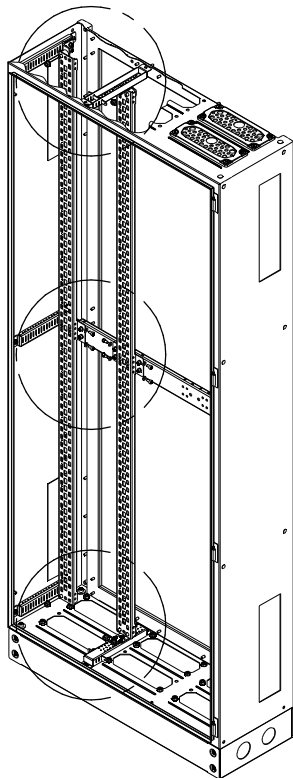
UR-S 001338117 x1 (page 28)



BU-WD 001338161 x1 (page 32)



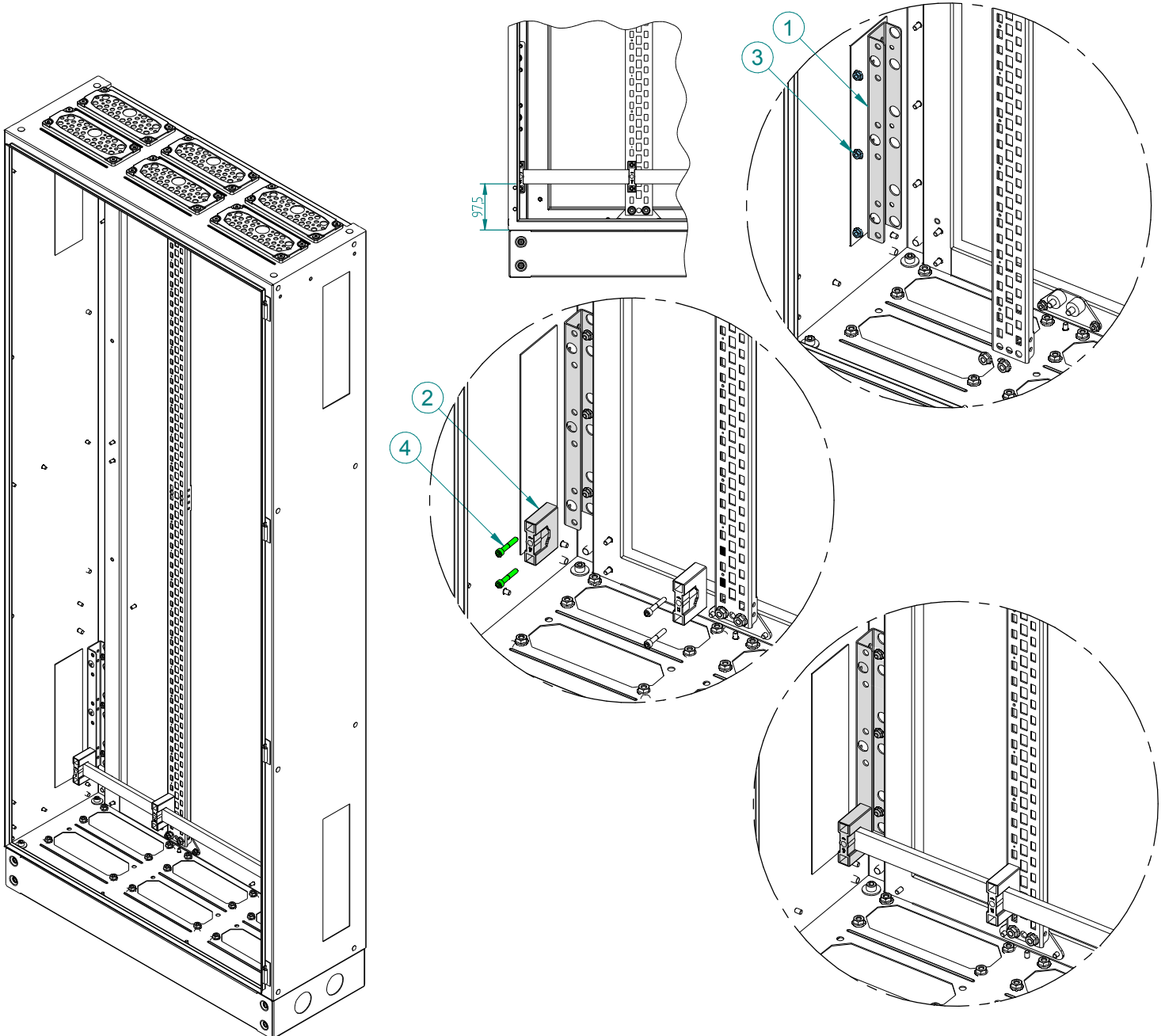
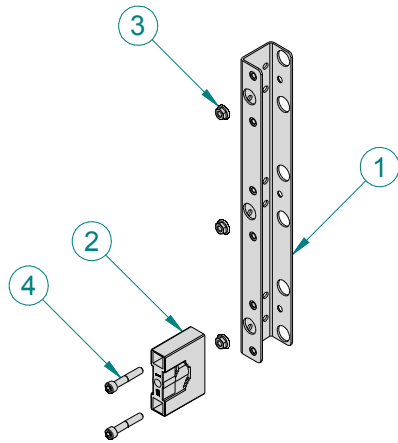
WD-K 12 + UR-B + UR-S + BL-UR 3 + BU-WD



UD-B60-H P1

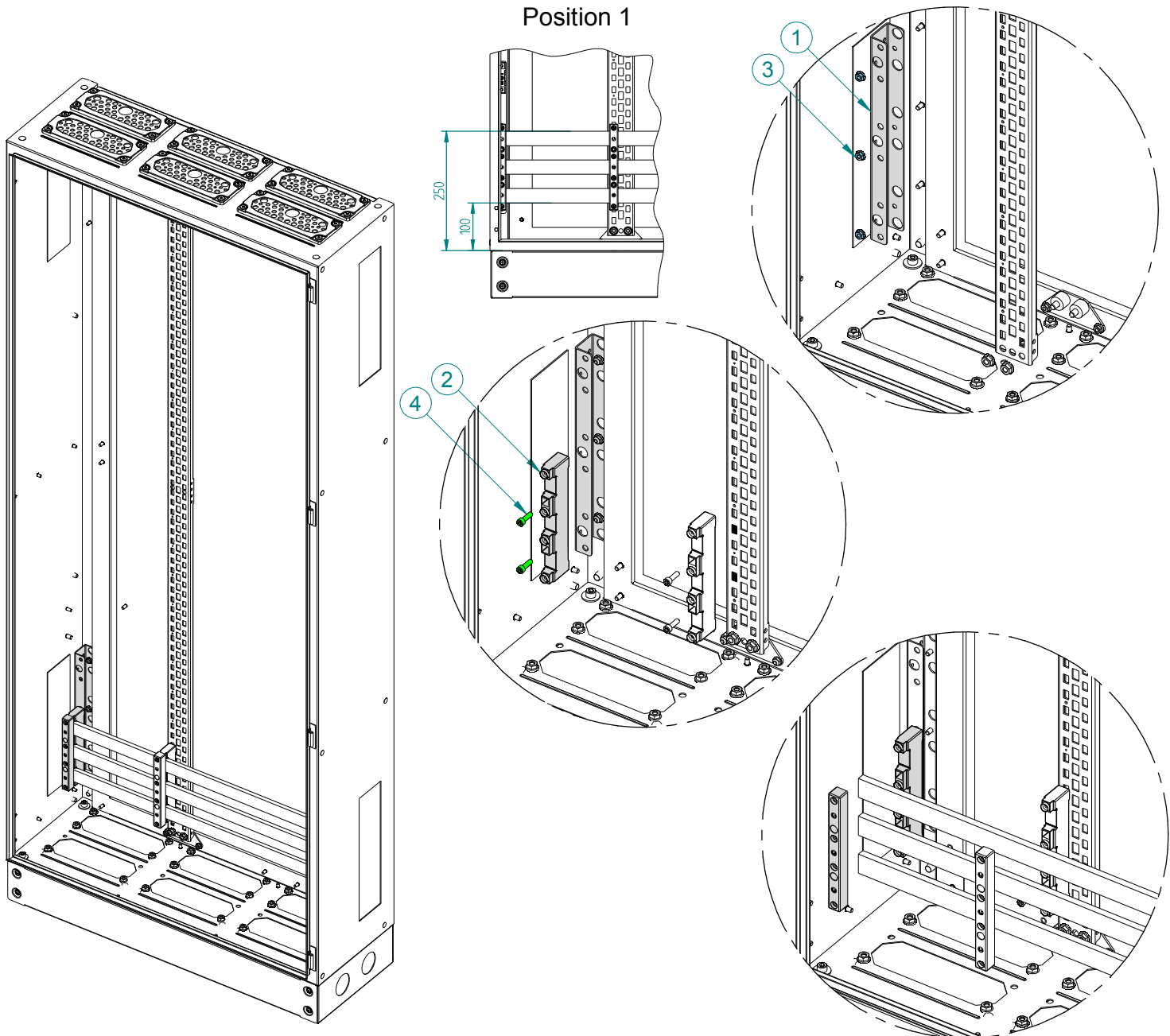
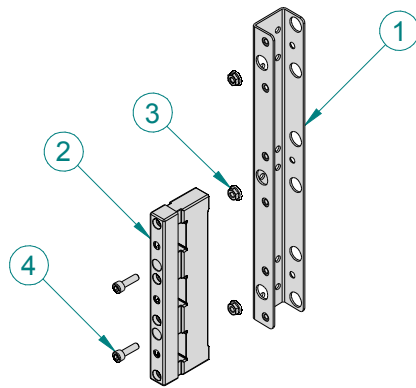
001341800

| UD-B60-H P1 001341800 | | | |
|-----------------------|------------|------------------------------|------|
| No. | Type ETI | Name | Pcs. |
| 1 | UD-B60-H-C | Support | 1 |
| 2 | SST-60/1 | Holder | 1 |
| 3 | AN-FSH 6 | Nut flange serrat DIN6923 Zn | 3 |
| 4 | AS-SH 6x35 | Screw M6x35 DIN912 Zn | 2 |



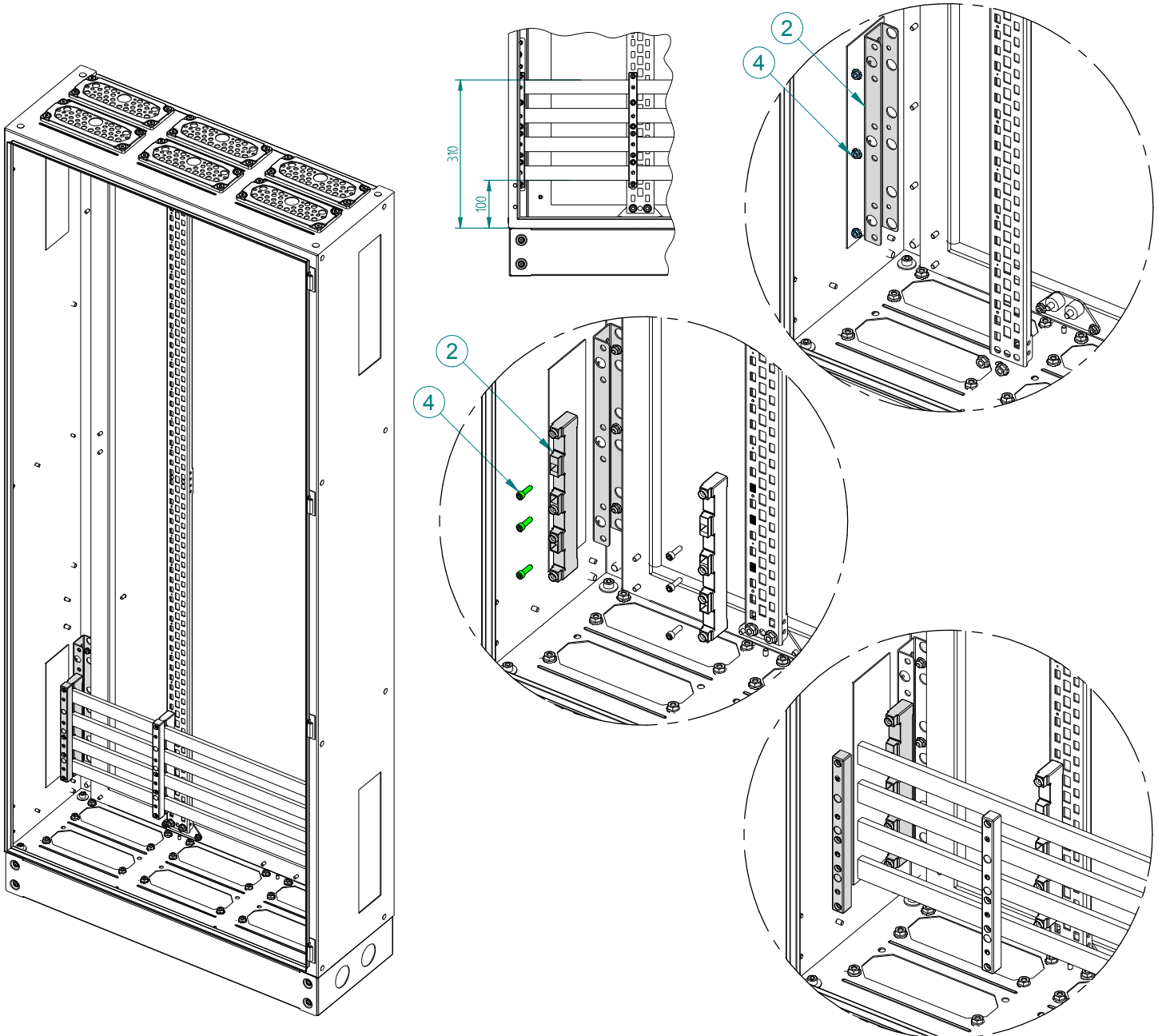
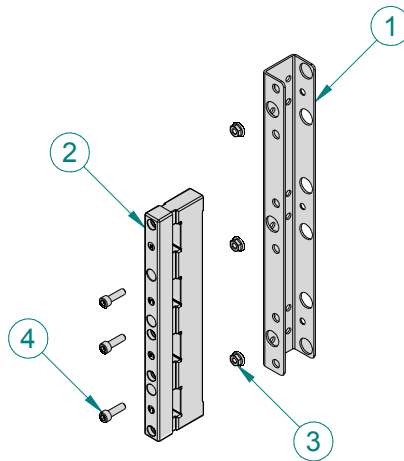
UD-B60-H P3 001341802

| UD-B60-H P3 001341802 | | | |
|-----------------------|------------|------------------------------|------|
| No. | Type ETI | Name | Pcs. |
| 1 | UD-B60-H-C | Support | 1 |
| 2 | SST-60/3 | Holder | 1 |
| 3 | AN-FSH 6 | Nut flange serrat DIN6923 Zn | 3 |
| 4 | AS-SH 6x20 | Screw M6x20 DIN912 Zn | 2 |

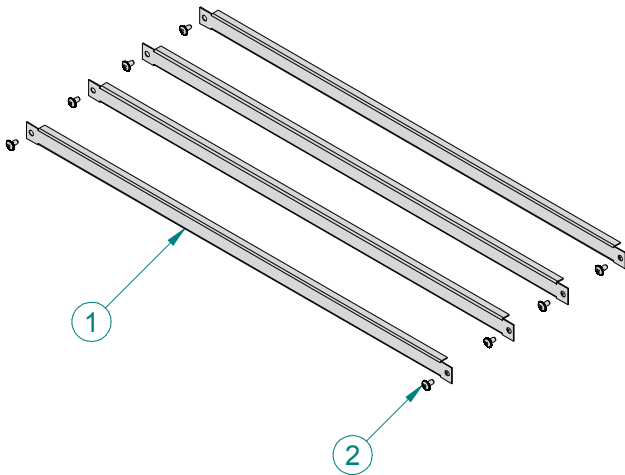


UD-B60-H P4 001341803

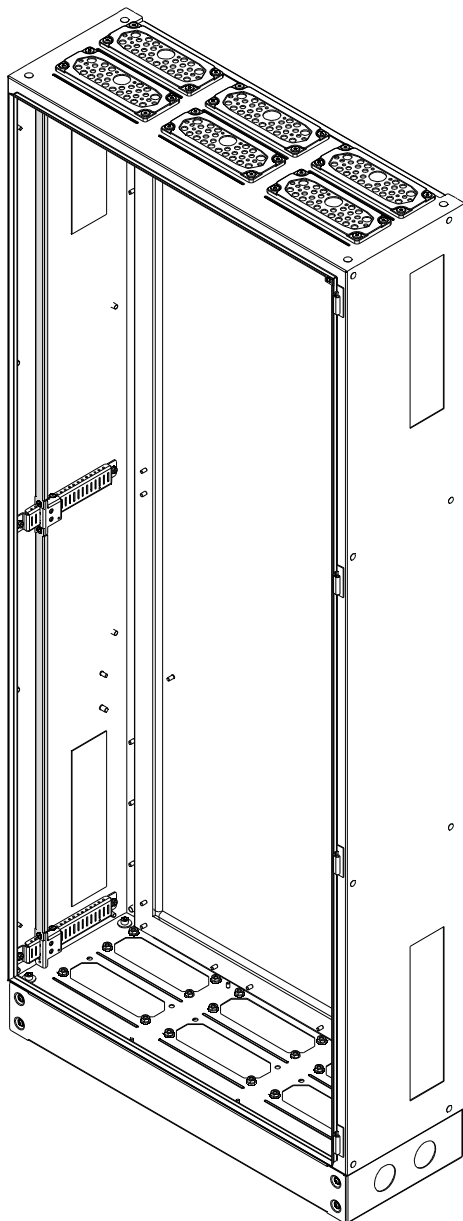
| UD-B60-H P4 001341803 | | | |
|-----------------------|------------|------------------------------|------|
| No. | Type ETI | Name | Pcs. |
| 1 | UD-B60-H-C | Support | 1 |
| 2 | SST-60/4 | Holder | 1 |
| 3 | AN-FSH 6 | Nut flange serrat DIN6923 Zn | 3 |
| 4 | AS-SH 6x20 | Screw M6x20 DIN912 Zn | 3 |



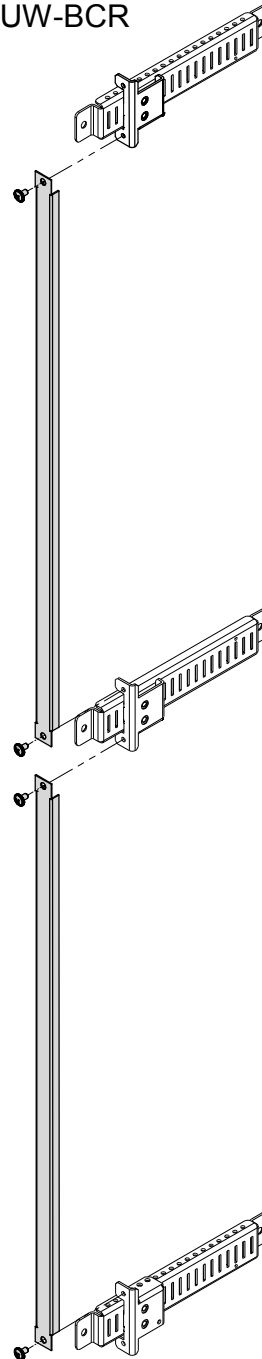
CP-BV



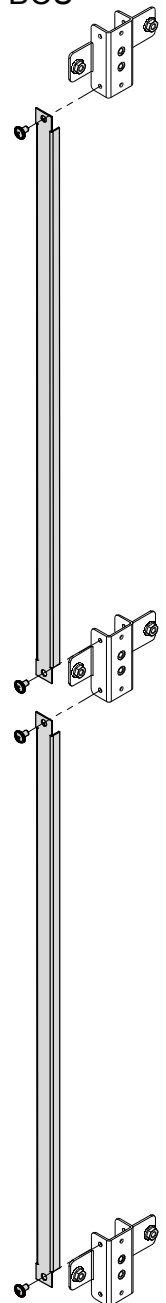
| CP-BV | | | | | | |
|-----------|----------|------------------|----------|-------|-------------|-------|
| Code No | Name SET | Wysokość obudowy | (1) | Ilość | (2) | Ilość |
| 001340164 | CP-BV 12 | 12 | CP-BV-12 | 4 | AST 4.8x9.5 | 8 |
| 001340165 | CP-BV 13 | 13 | CP-BV-13 | 4 | AST 4.8x9.5 | 8 |



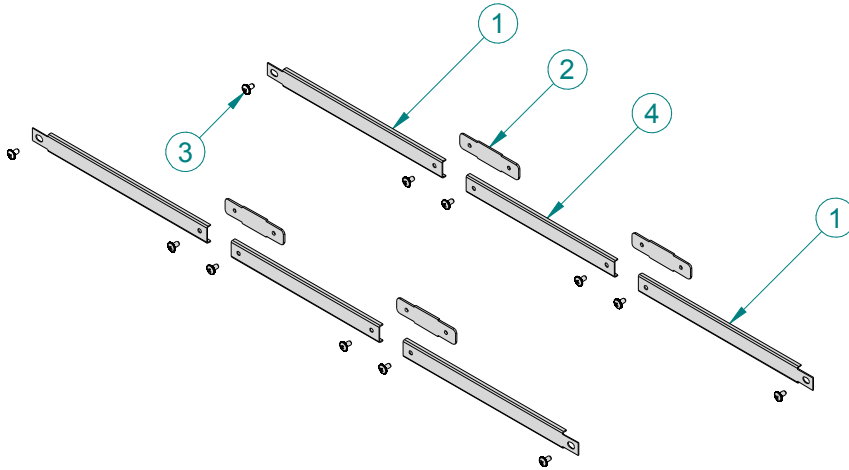
UW-BCR



UW-BCU



CP-BH

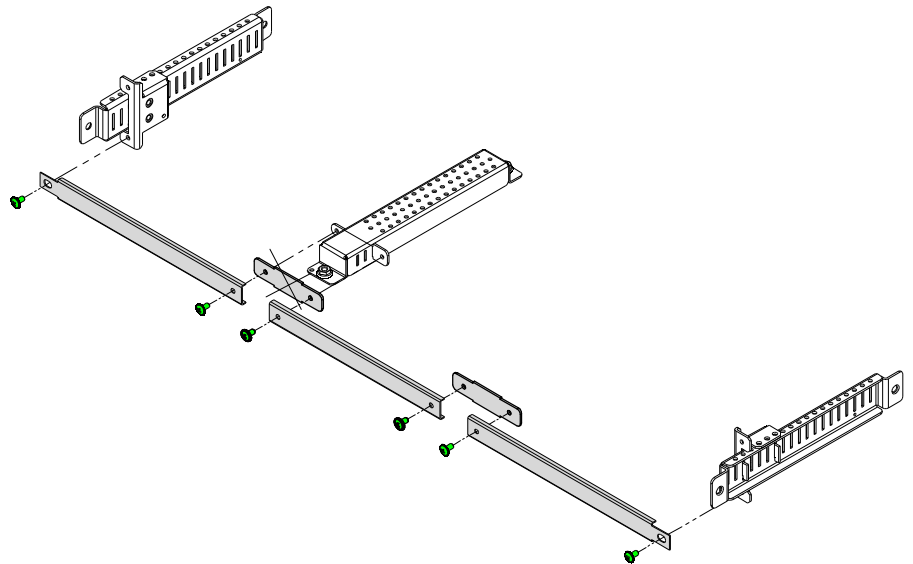
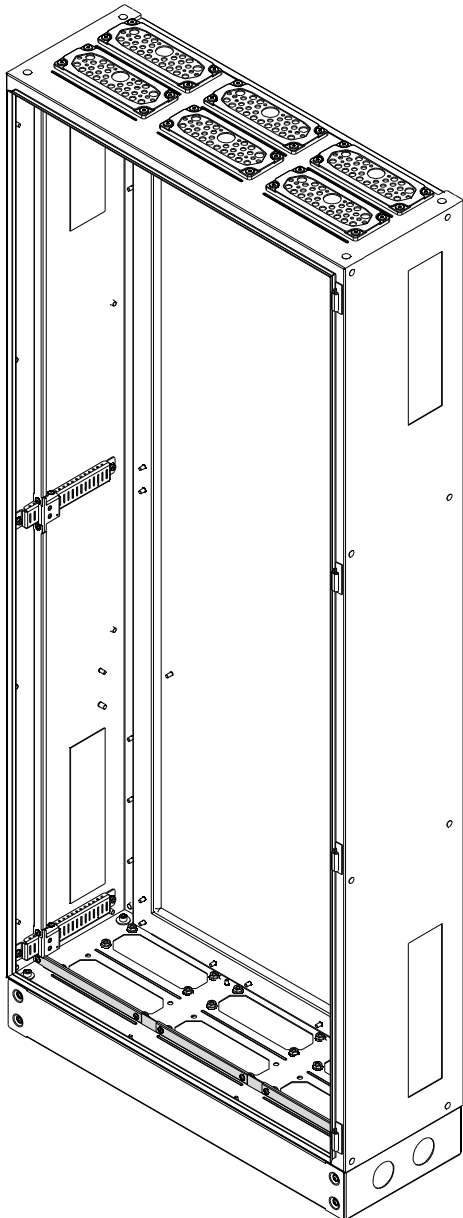


| CP-BH 2 001340200 | | | |
|-------------------|-------------|---------------|------|
| No. | Type ETI | Name | Pcs. |
| 1 | CP-BH-BOK | Cover | 2 |
| 2 | CP-BH-LAC | Cover | 1 |
| 3 | AST 4.8x9.5 | Tapping screw | 4 |

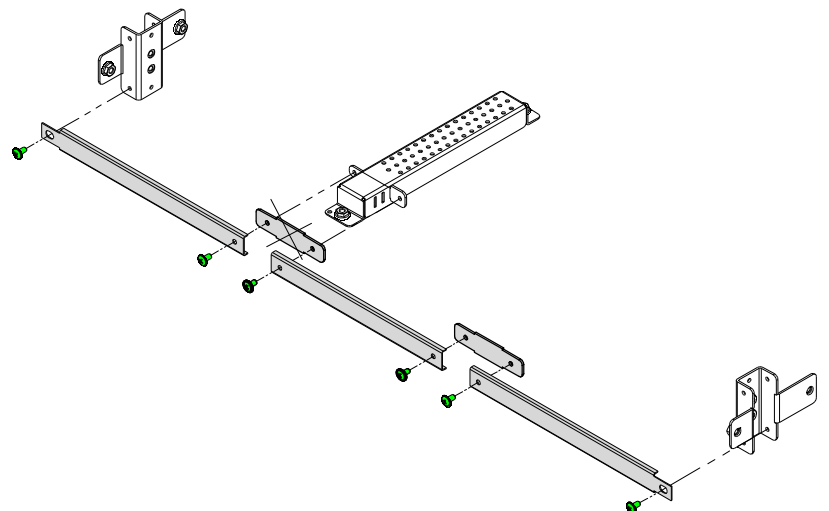
| CP-BH 3 001340201 | | | |
|-------------------|-------------|---------------|------|
| No. | Type ETI | Name | Pcs. |
| 1 | CP-BH-BOK | Cover | 2 |
| 2 | CP-BH-LAC | Cover | 2 |
| 3 | AST 4.8x9.5 | Tapping screw | 6 |
| 3 | CP-BH-SRO | Cover | 1 |

| CP-BH 4 001340202 | | | |
|-------------------|-------------|---------------|------|
| No. | Type ETI | Name | Pcs. |
| 1 | CP-BH-BOK | Cover | 2 |
| 2 | CP-BH-LAC | Cover | 3 |
| 3 | AST 4.8x9.5 | Tapping screw | 8 |
| 3 | CP-BH-SRO | Cover | 2 |

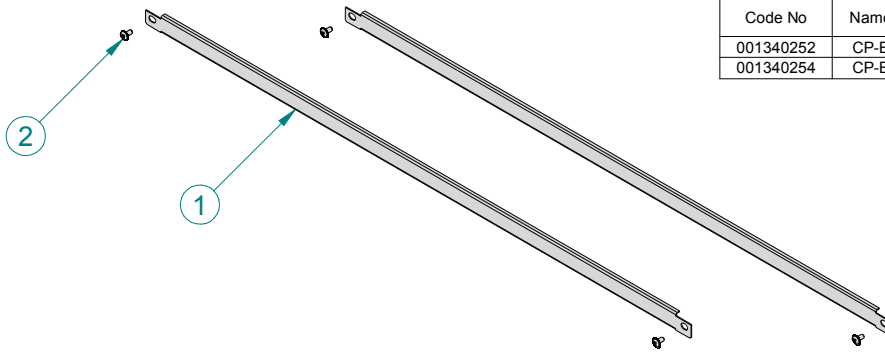
UW-BCR



UW-BCU

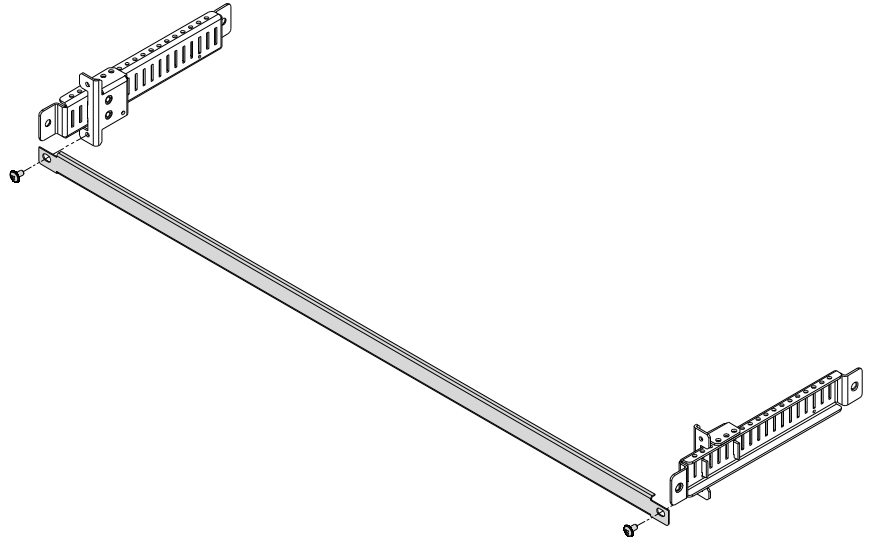
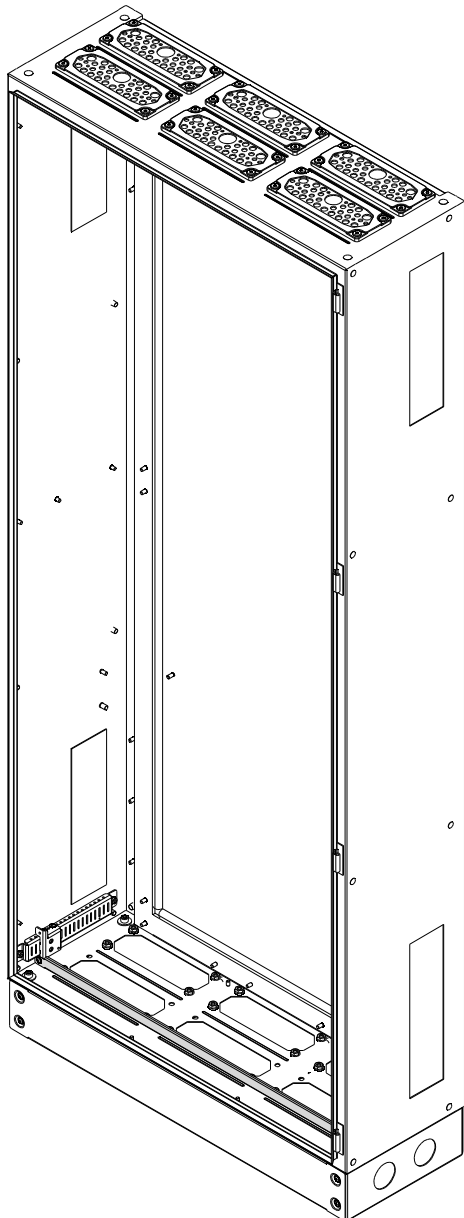


CP-BHS



| CP-BHS | | | | | | |
|-----------|----------|-------------------|----------|-------|-------------|-------|
| Code No | Name SET | Szerokość obudowy | (1) | Ilość | (2) | Ilość |
| 001340252 | CP-BHS 2 | 2 | CP-BHS-2 | 2 | AST 4.8x9.5 | 4 |
| 001340254 | CP-BHS 3 | 3 | CP-BHS-3 | 2 | AST 4.8x9.5 | 4 |

UW-BCR

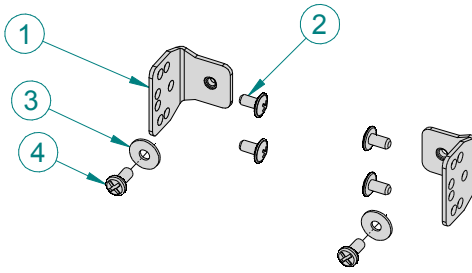


UW-BCU

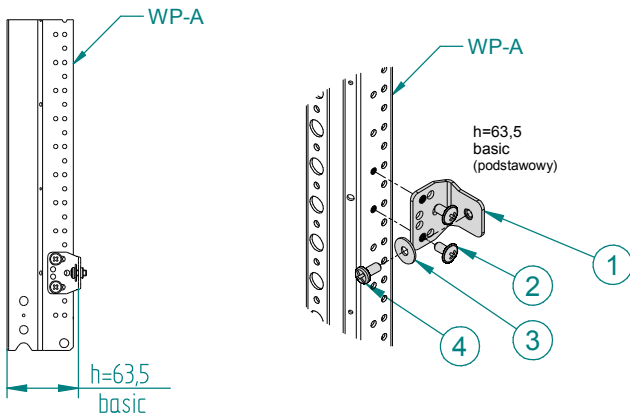


LG-V SET 001101683

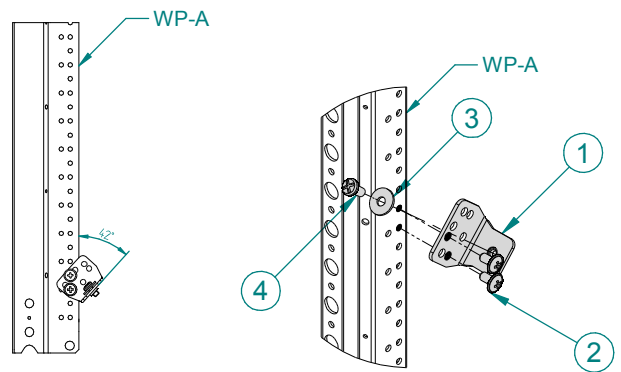
| LG-V SET 001101683 | | | |
|--------------------|-------------|------------------------|------|
| No. | Type ETI | Name | Pcs. |
| 1 | LG-V | Support | 2 |
| 2 | AST 4.8x9.5 | Tapping screw | 4 |
| 3 | AW-RE 5 | Washer M5 DIN9021 Zn | 2 |
| 4 | AS-C 5x10 | Screw M5x10 DIN7985 Zn | 2 |



Position 1

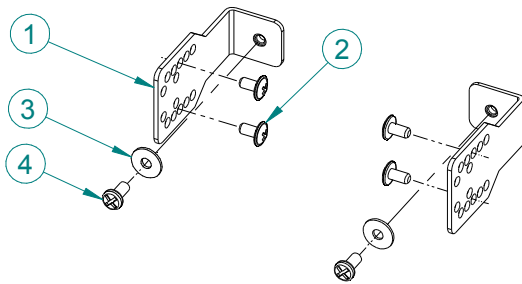


Position 2

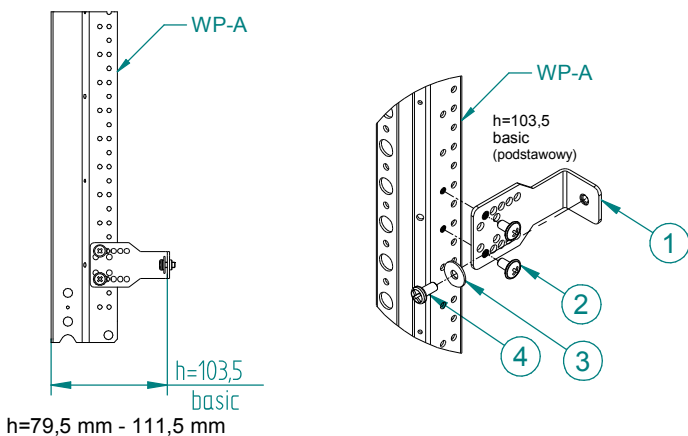


LG-V5 SET 001101685

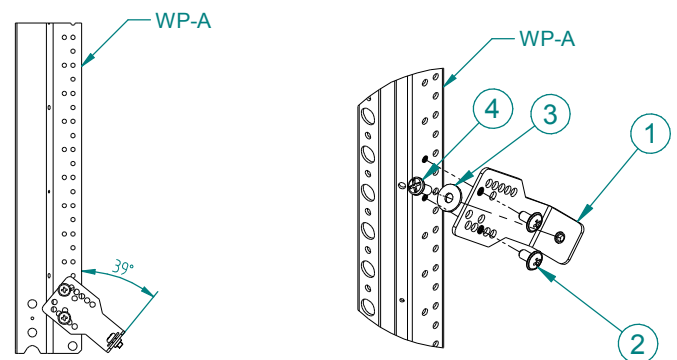
| LG-V5 SET 001101685 | | | |
|---------------------|-------------|------------------------|------|
| No. | Type ETI | Name | Pcs. |
| 1 | LG-V5 | Support | 2 |
| 2 | AST 4.8x9.5 | Tapping screw | 4 |
| 3 | AW-RE 5 | Washer M5 DIN9021 Zn | 2 |
| 4 | AS-C 5x10 | Screw M5x10 DIN7985 Zn | 2 |



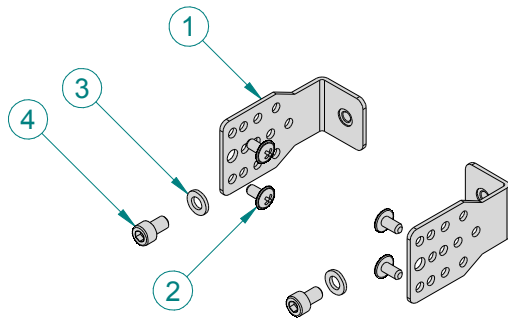
Position 1



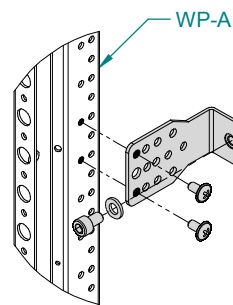
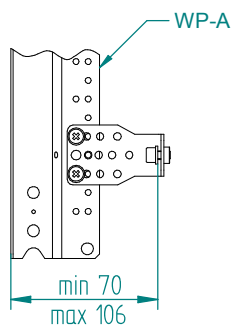
Position 2



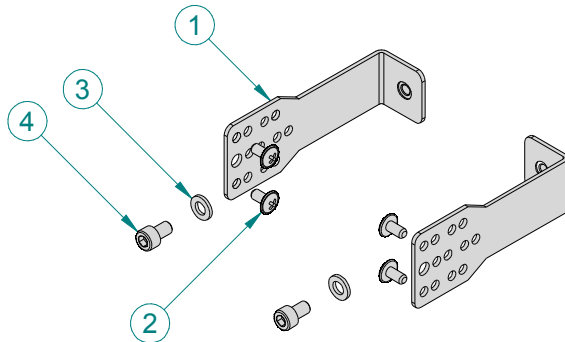
LG-V6-B SET 001341151



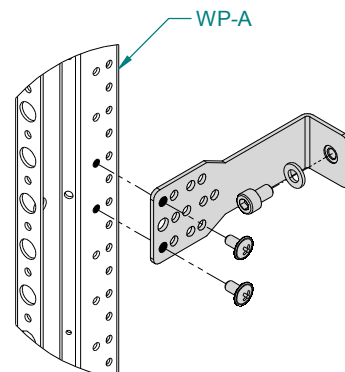
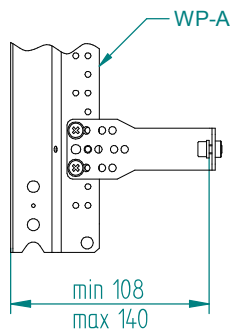
| LG-V6-B SET 001341151 | | | |
|-----------------------|-------------|---------------------|------|
| No. | Type ETI | Name | Pcs. |
| 1 | LG-V6-B | Support | 2 |
| 2 | AST 4.8x9.5 | Tapping screw | 4 |
| 3 | AW-R 6 | Washer M6 DIN126 Zn | 2 |
| 4 | AS-SH 6x10 | Screw M6x10 DIN912 | 2 |



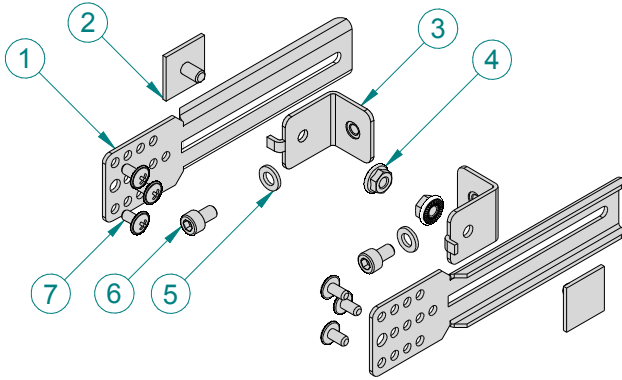
LG-V6-D SET 001341153



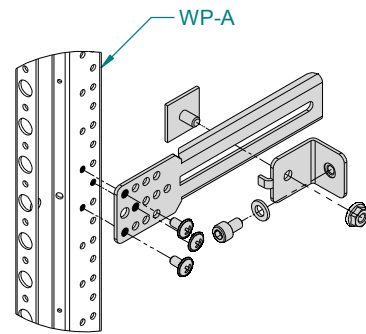
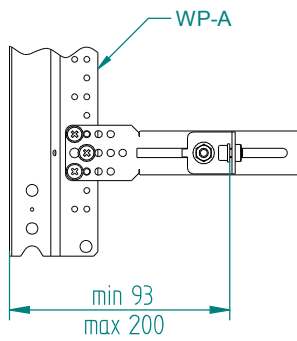
| LG-V6-D SET 001341153 | | | |
|-----------------------|-------------|---------------------|------|
| No. | Type ETI | Name | Pcs. |
| 1 | LG-V6-D | Support | 2 |
| 2 | AST 4.8x9.5 | Tapping screw | 4 |
| 3 | AW-R 6 | Washer M6 DIN126 Zn | 2 |
| 4 | AS-SH 6x10 | Screw M6x10 DIN912 | 2 |



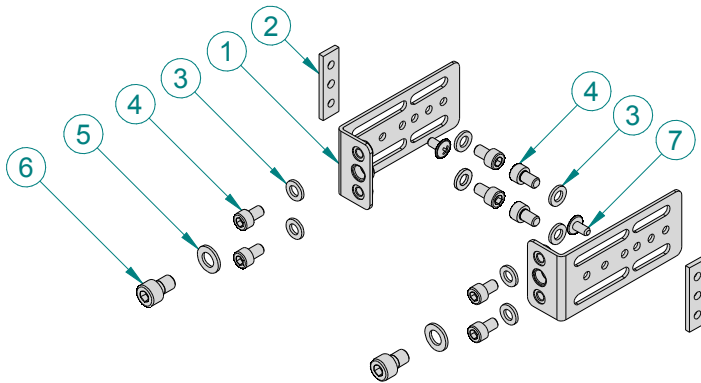
LG-V6R-B SET 001341201



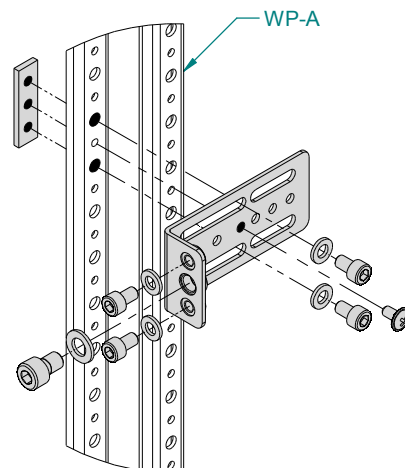
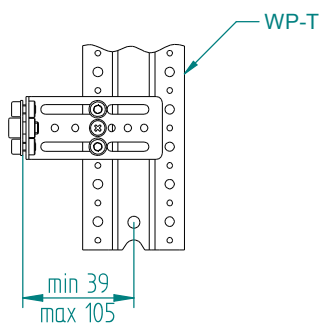
| LG-V6R-B SET 001341201 | | | |
|------------------------|-------------|--------------------------------|------|
| No. | Type ETI | Name | Pcs. |
| 1 | LG-V6R-B | Support | 2 |
| 2 | LG-V6R-KK | Support | 2 |
| 3 | LG-V6R-LN | Support | 2 |
| 4 | AN-FSH 6 | Nut flange serat M6 DIN6923 Zn | 2 |
| 5 | AW-R 6 | Washer M6 DIN126 Zn | 2 |
| 6 | AS-SH 6x10 | Screw M6x10 DIN912 | 2 |
| 7 | AST 4.8x9.5 | Tapping screw | 6 |



LG-T6-A SET 001341880

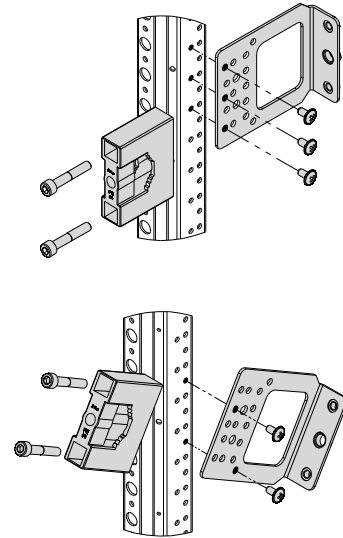
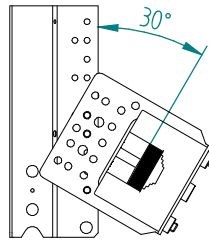
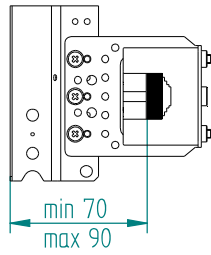
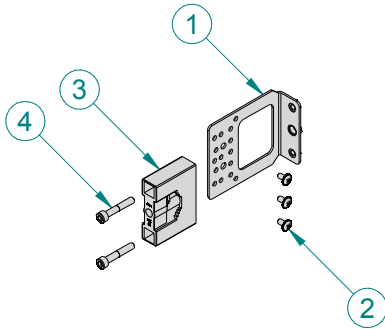


| LG-T6-A SET 001341880 | | | |
|-----------------------|-------------|---------------------|------|
| No. | Type ETI | Name | Pcs. |
| 1 | LG-T6-A-C | Support | 2 |
| 2 | LG-T6-BLA | Support | 2 |
| 3 | AW-R 6 | Washer M6 DIN126 Zn | 8 |
| 4 | AS-SH 6x10 | Screw M6x10 DIN912 | 8 |
| 5 | AW-R 8 | Washer M8 DIN126 Zn | 2 |
| 6 | AS-SH 8x12 | Screw M8x12 DIN912 | 2 |
| 7 | AST 4.8x9.5 | Tapping screw | 2 |



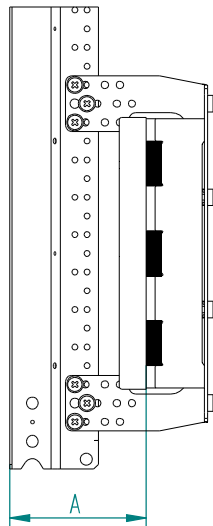
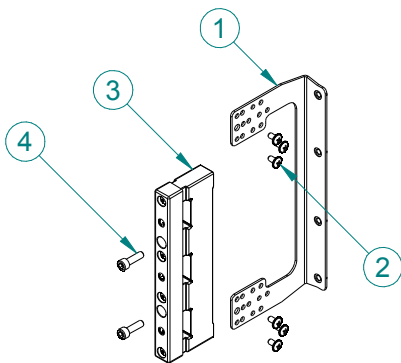
LG-B60-H P1 001341650

| LG-B60-H P1 001341650 | | | |
|-----------------------|---------------|--------------------|------|
| No. | Type ETI | Name | Pcs. |
| 1 | LG-B60-H P1-C | Support | 1 |
| 2 | AST 4.8x9.5 | Tapping screw | 3 |
| 3 | BBS-60/1 | Busbar support | 1 |
| 4 | AS-SH 6x35 | Screw M6x35 DIN912 | 2 |

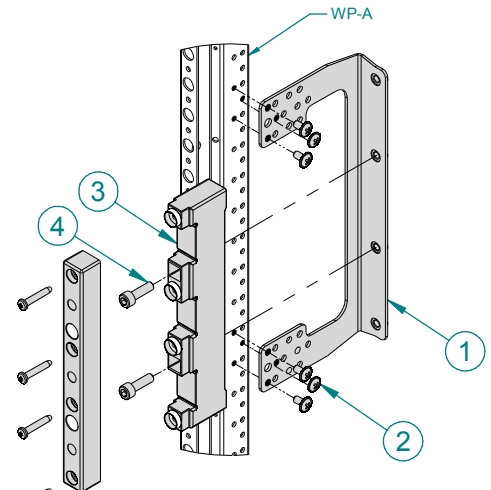


LG-B60-H P3 001341651

| LG-B60-H P3 001341651 | | | |
|-----------------------|---------------|--------------------|------|
| No. | Type ETI | Name | Pcs. |
| 1 | LG-B60-H P3-C | Support | 1 |
| 2 | AST 4.8x9.5 | Tapping screw | 6 |
| 3 | BBS-60/3 | Busbar support | 1 |
| 4 | AS-SH 6x20 | Screw M6x20 DIN912 | 2 |

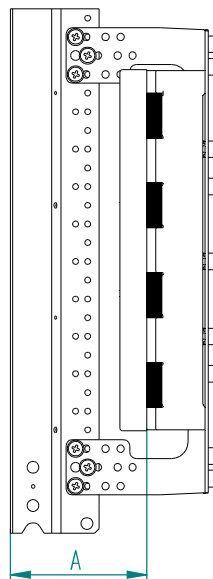
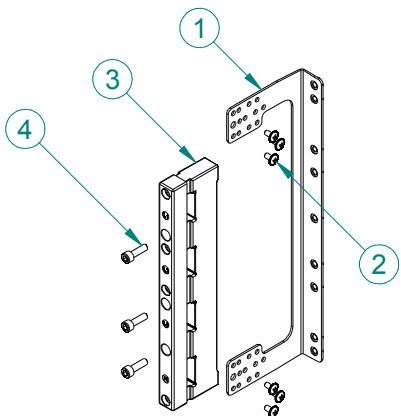


| LG-B60-H P3 | |
|-------------|-------|
| Position | A |
| 1 | 60 mm |
| 2 | 70 mm |
| 3 | 83 mm |
| 4 | 90 mm |

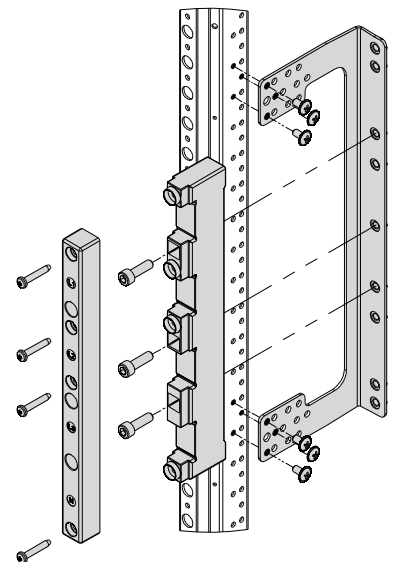


LG-B60-H P4 001341652

| LG-B60-H P4 001341652 | | | |
|-----------------------|---------------|--------------------|------|
| No. | Type ETI | Name | Pcs. |
| 1 | LG-B60-H P4-C | Support | 1 |
| 2 | AST 4.8x9.5 | Tapping screw | 6 |
| 3 | BBS-60/4 | Busbar support | 1 |
| 4 | AS-SH 6x20 | Screw M6x20 DIN912 | 3 |

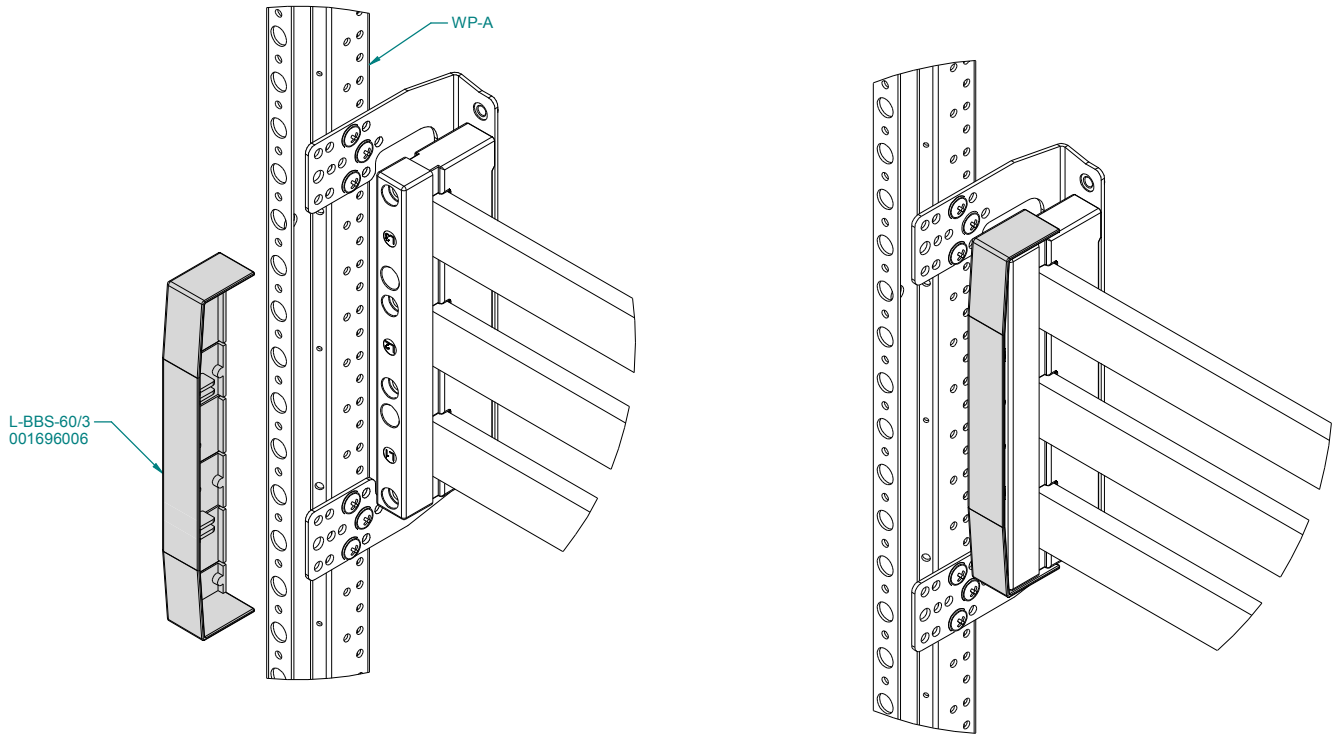


| LG-B60-H P4 | |
|-------------|-------|
| Position | A |
| 1 | 60 mm |
| 2 | 70 mm |
| 3 | 83 mm |
| 4 | 90 mm |



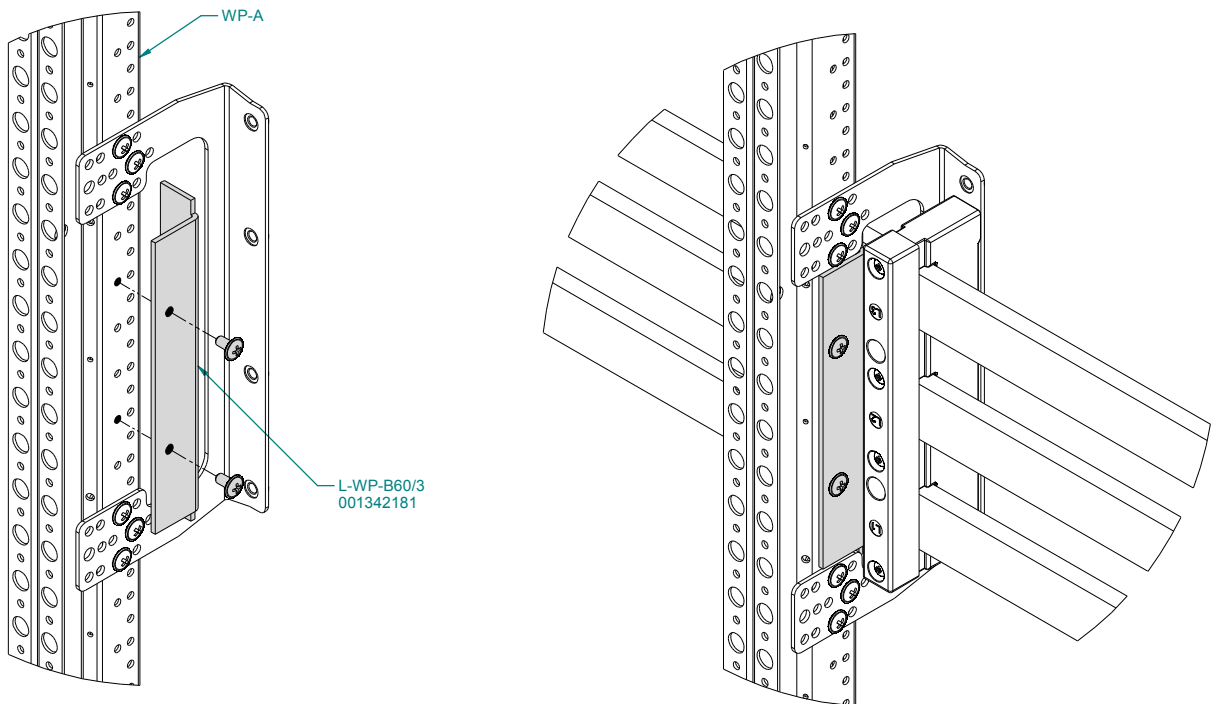
L-BBS-60/3

001696006



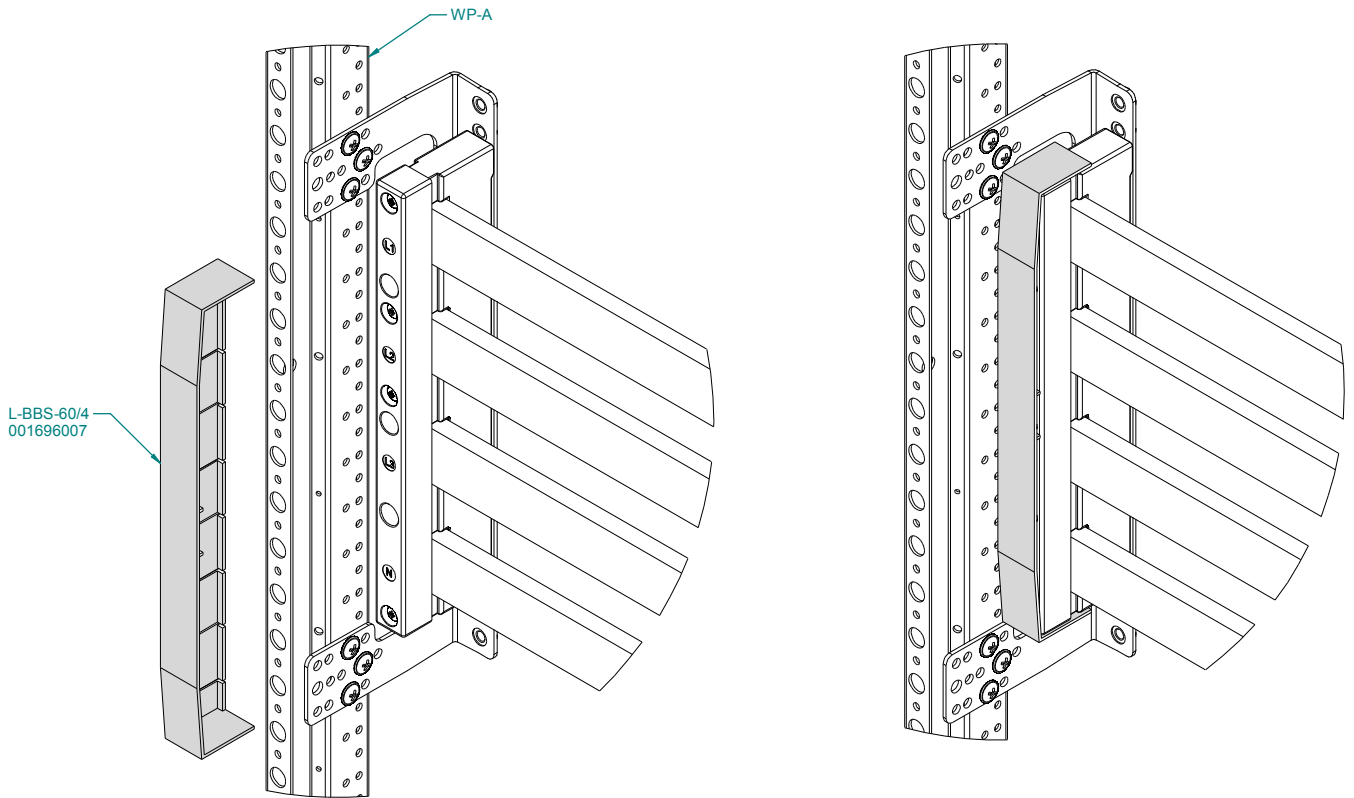
L-WP-B60/3

001342181



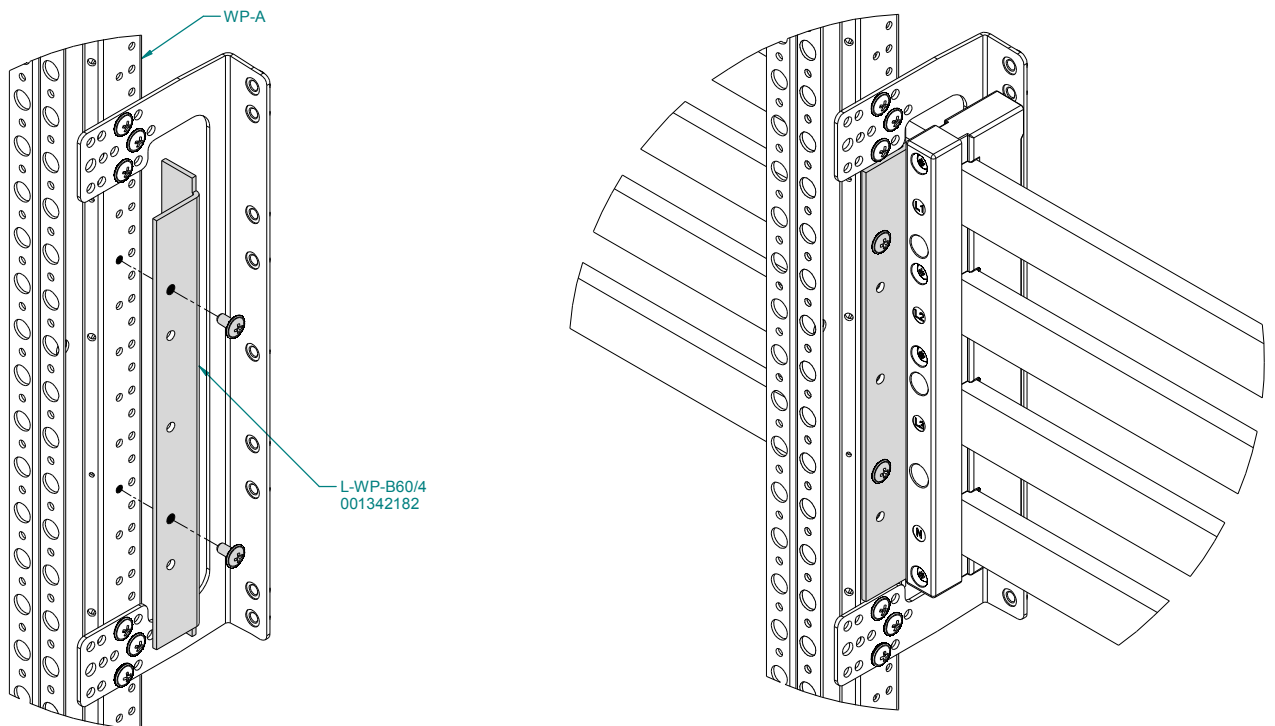
L-BBS-60/4

001696007



L-WP-B60/4

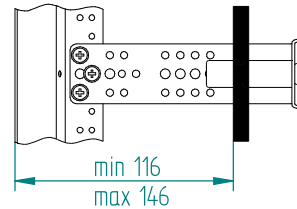
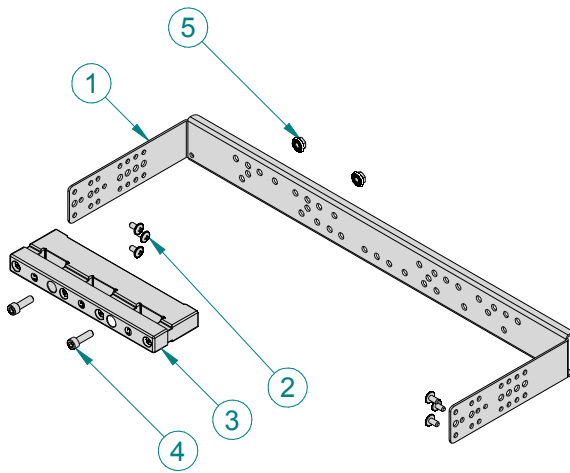
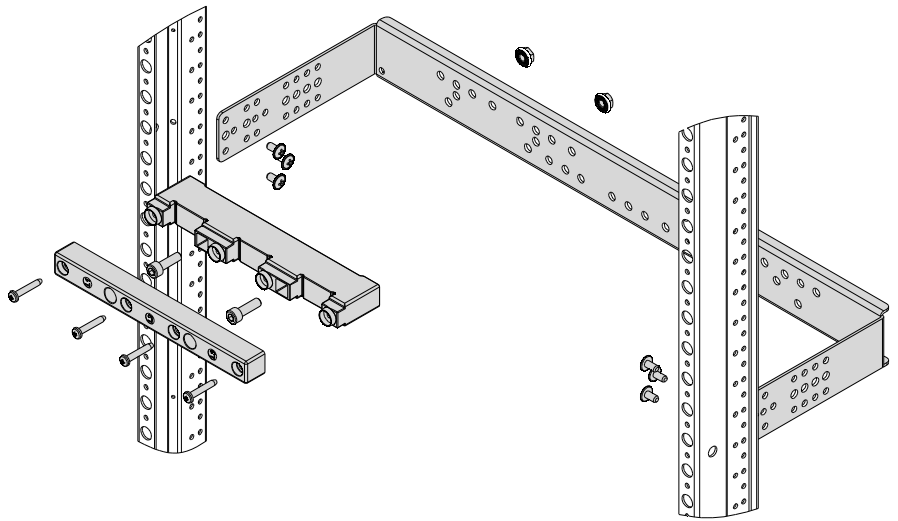
001342182



LG-B60-Vx P3

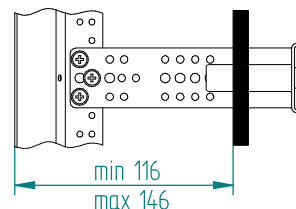
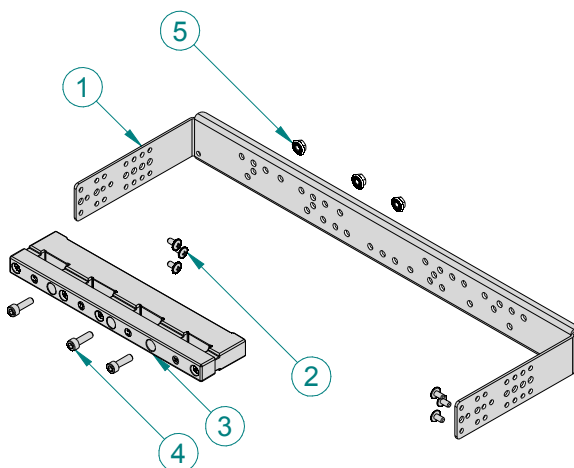
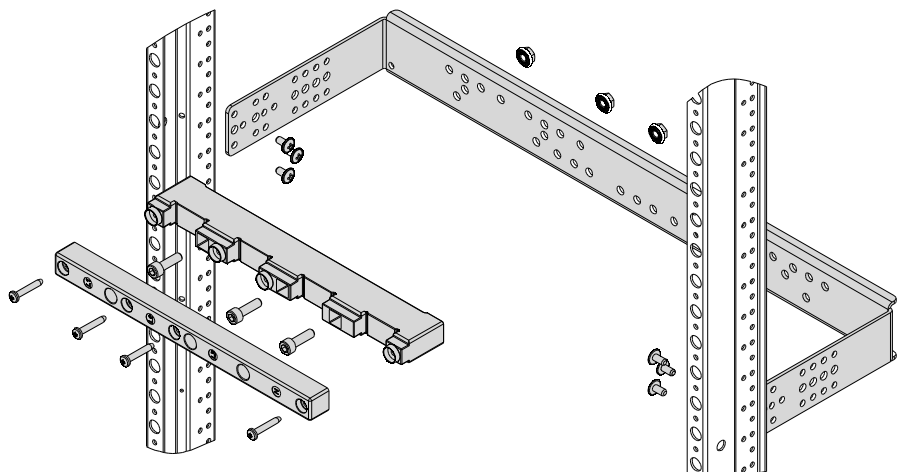
| LG-B60-V1 P3 001341700 | | | |
|------------------------|-------------|------------------------------|------|
| No. | Type ETI | Name | Pcs. |
| 1 | LG-B60-V1-C | Holder | 1 |
| 2 | AST 4.8x9.5 | Tapping screw | 6 |
| 3 | BBS-60/3 | Busbar support | 1 |
| 4 | AS-SH 6x20 | Screw M6x20 DIN912 | 2 |
| 5 | AN-FSH 6 | Nut flange serrat DIN6923 Zn | 2 |

| LG-B60-V2 P3 001341702 | | | |
|------------------------|-------------|------------------------------|------|
| No. | Type ETI | Name | Pcs. |
| 1 | LG-B60-V2-C | Holder | 1 |
| 2 | AST 4.8x9.5 | Tapping screw | 6 |
| 3 | BBS-60/3 | Busbar support | 1 |
| 4 | AS-SH 6x20 | Screw M6x20 DIN912 | 2 |
| 5 | AN-FSH 6 | Nut flange serrat DIN6923 Zn | 2 |



LG-B60-V2 P4 001341704

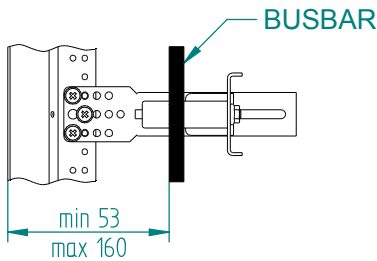
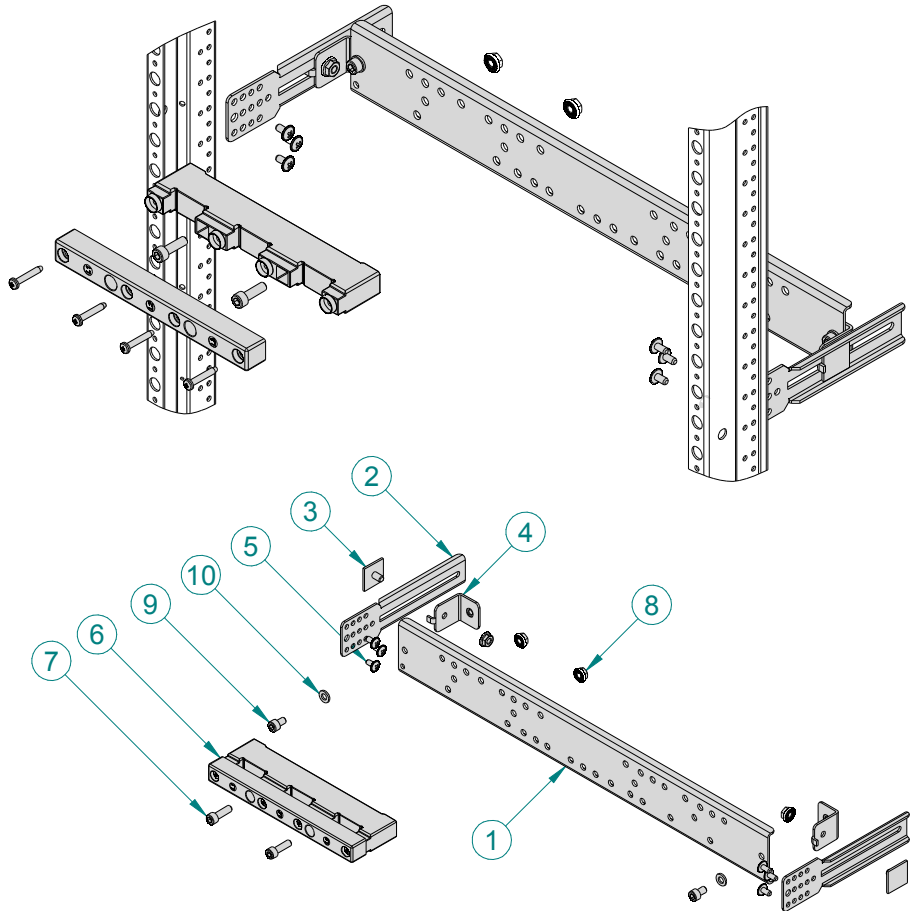
| LG-B60-V2 P4 001341704 | | | |
|------------------------|-------------|------------------------------|------|
| No. | Type ETI | Name | Pcs. |
| 1 | LG-B60-V2-C | Holder | 1 |
| 2 | AST 4.8x9.5 | Tapping screw | 6 |
| 3 | BBS-60/4 | Busbar support | 1 |
| 4 | AS-SH 6x20 | Screw M6x20 DIN912 | 3 |
| 5 | AN-FSH 6 | Nut flange serrat DIN6923 Zn | 3 |



LG-B60-VxR P3

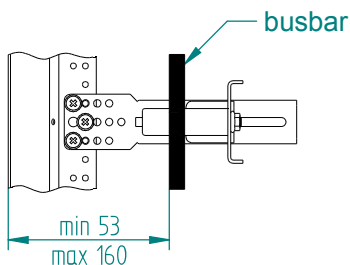
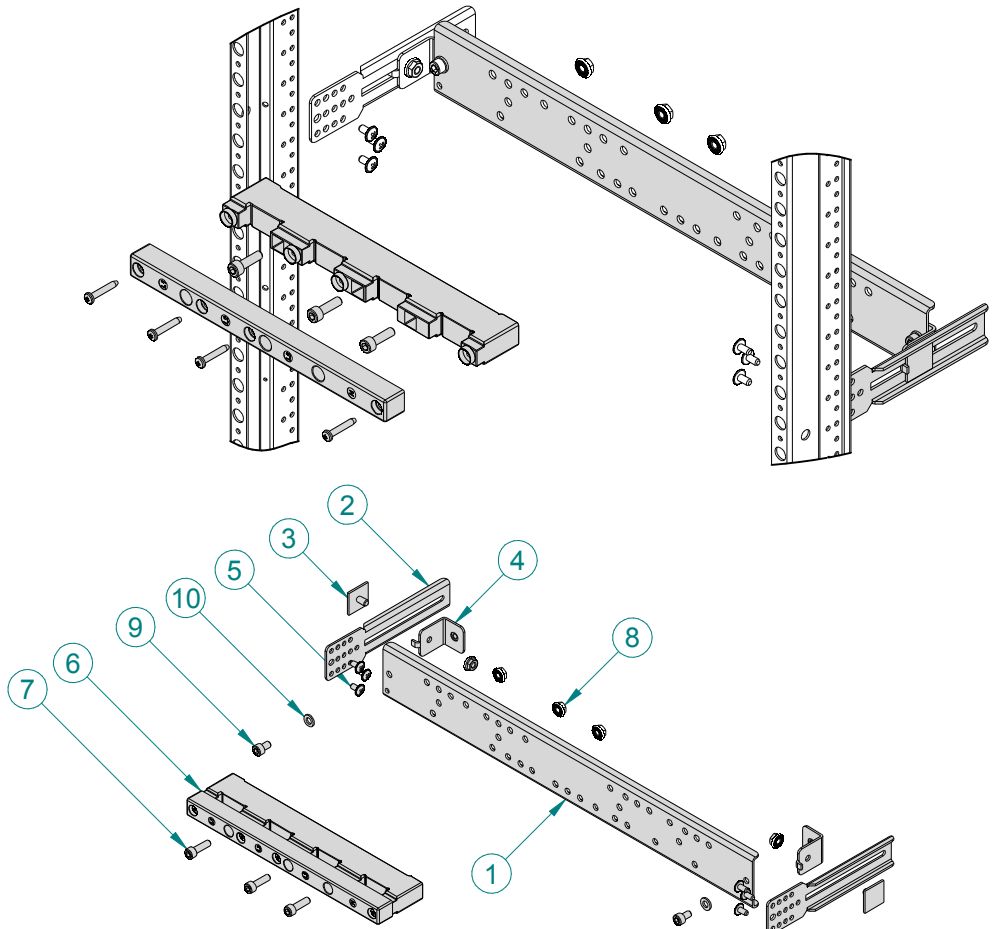
| LG-B60-V1R P3 001341750 | | | |
|-------------------------|--------------|------------------------------|------|
| No. | Type ETI | Name | Pcs. |
| 1 | LG-B60-BEL-1 | Holder | 1 |
| 2 | LG-V6R-B | Support | 2 |
| 3 | LG-V6R-KK | Support | 2 |
| 4 | LG-V6R-LN | Support | 2 |
| 5 | AST 4.8x9.5 | Tapping screw | 6 |
| 6 | BBS-60/3 | Busbar support | 1 |
| 7 | AS-SH 6x20 | Screw M6x20 DIN912 | 2 |
| 8 | AN-FSH 6 | Nut flange serrat DIN6923 Zn | 4 |
| 9 | AS-SH 6x10 | Screw M6x10 DIN912 | 2 |
| 10 | AW-RE 6 | Washer M6 DIN9021 Zn | 2 |

| LG-B60-V2R P3 001341752 | | | |
|-------------------------|--------------|------------------------------|------|
| No. | Type ETI | Name | Pcs. |
| 1 | LG-B60-BEL-2 | Holder | 1 |
| 2 | LG-V6R-B | Support | 2 |
| 3 | LG-V6R-KK | Support | 2 |
| 4 | LG-V6R-LN | Support | 2 |
| 5 | AST 4.8x9.5 | Tapping screw | 6 |
| 6 | BBS-60/3 | Busbar support | 1 |
| 7 | AS-SH 6x20 | Screw M6x20 DIN912 | 2 |
| 8 | AN-FSH 6 | Nut flange serrat DIN6923 Zn | 4 |
| 9 | AS-SH 6x10 | Screw M6x10 DIN912 | 2 |
| 10 | AW-RE 6 | Washer M6 DIN9021 Zn | 2 |



LG-B60-V2R P4 001341754

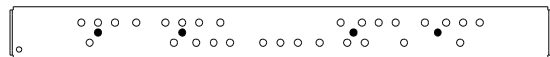
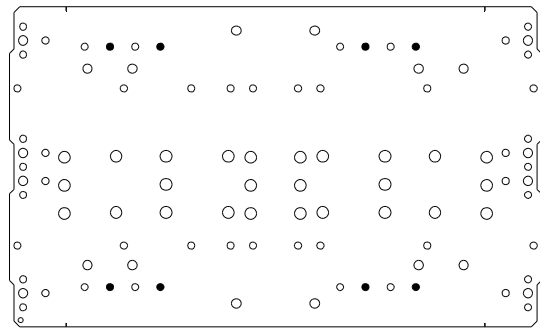
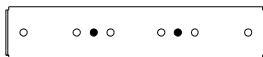
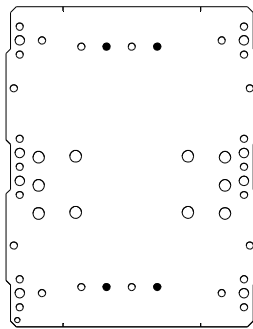
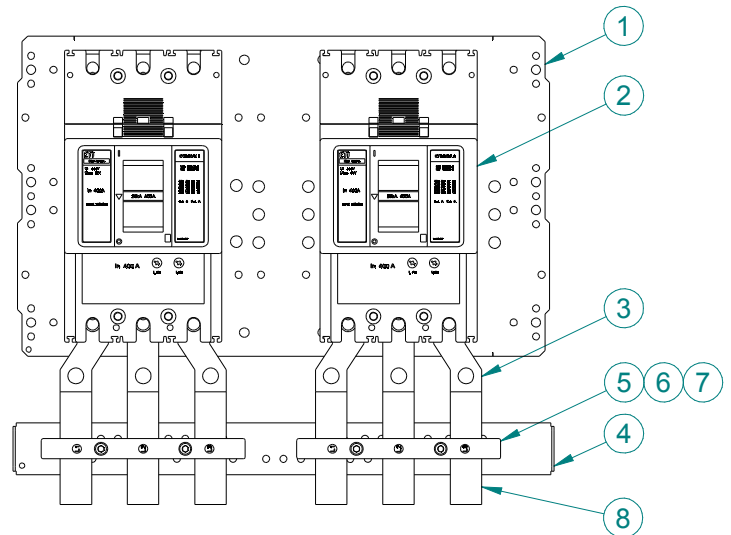
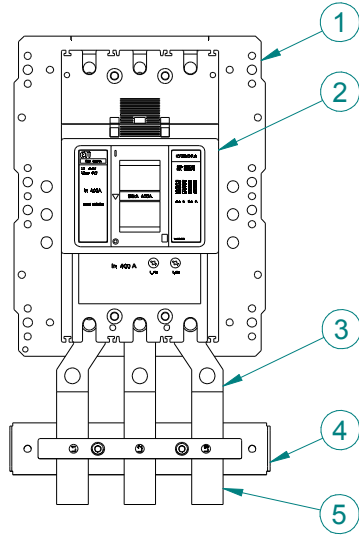
| LG-B60-V2 P4 001341704 | | | |
|------------------------|--------------|------------------------------|------|
| No. | Type ETI | Name | Pcs. |
| 1 | LG-B60-BEL-2 | Holder | 1 |
| 2 | LG-V6R-B | Support | 2 |
| 3 | LG-V6R-KK | Support | 2 |
| 4 | LG-V6R-LN | Support | 2 |
| 5 | AST 4.8x9.5 | Tapping screw | 6 |
| 6 | BBS-60/4 | Busbar support | 1 |
| 7 | AS-SH 6x20 | Screw M6x20 DIN912 | 3 |
| 8 | AN-FSH 6 | Nut flange serrat DIN6923 Zn | 5 |
| 9 | AS-SH 6x10 | Screw M6x10 DIN912 | 2 |
| 10 | AW-RE 6 | Washer M6 DIN9021 Zn | 2 |



EB2/ED2 (400, 630 A) 3P

| No. | Type ETI | Pcs. |
|-----|---------------------------------|------|
| 1 | PM 1 ELS46 K1 | 1 |
| 2 | EB2/ED2 (400, 630 A) 3P | 1 |
| 3 | ZB2 (3P) | 1 |
| 4 | LG-B60-V1 P3 (LG-B60-V1R P3) | 1 |
| 5 | busbar | 3 |

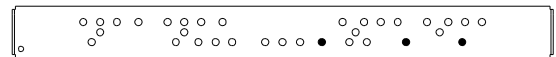
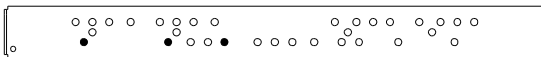
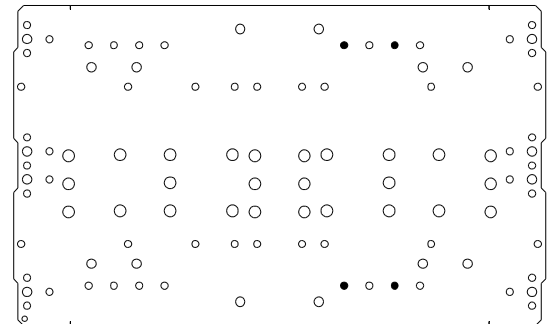
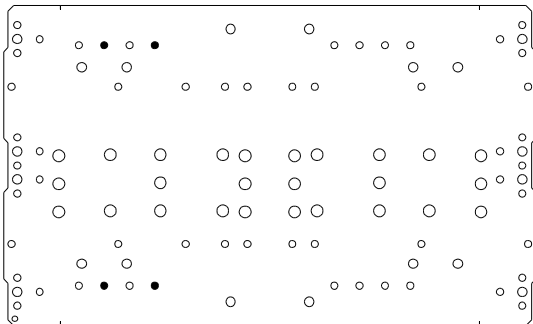
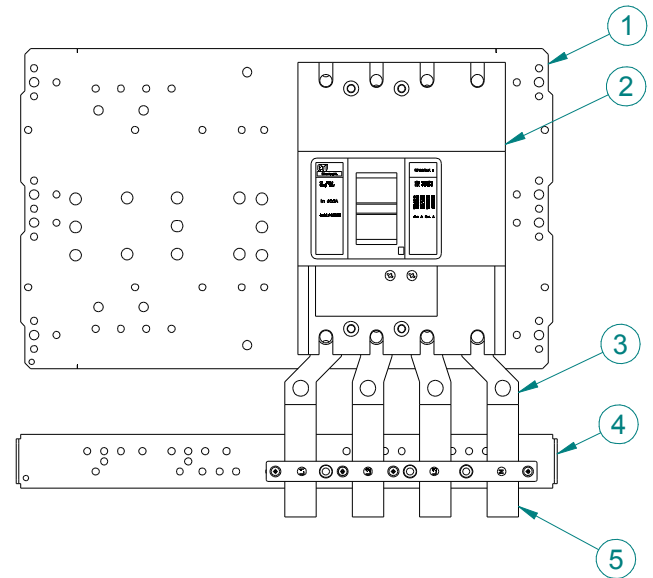
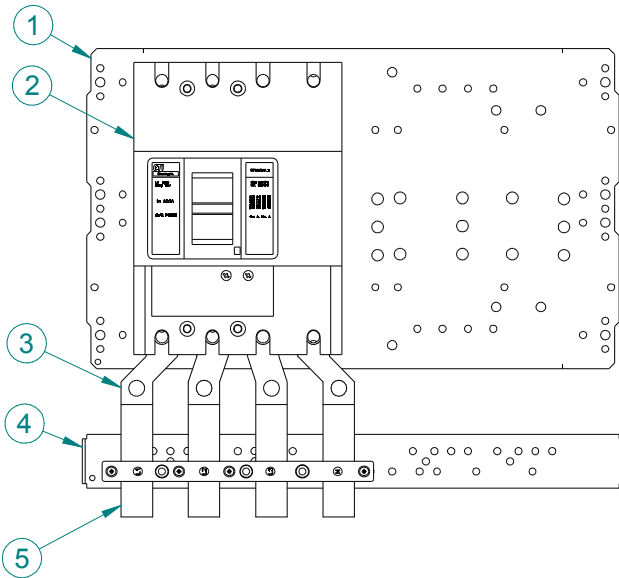
| No. | Type ETI | Pcs. |
|-----|---------------------------------|------|
| 1 | PM 2 ELS46 K123 | 1 |
| 2 | EB2/ED2 (400, 630 A) 3P | 2 |
| 3 | ZB2 (3P) | 2 |
| 4 | LG-B60-V2 P3 (LG-B60-V2R P3) | 1 |
| 5 | BBS-60/3 | 1 |
| 6 | AS-SH 6x20 | 2 |
| 7 | AN-FSH 6 | 2 |
| 8 | busbar | 3 |



EB2/ED2 (400, 630 A) 4P

| No. | Type ETI | Pcs. |
|-----|---------------------------------|------|
| 1 | PM 2 ELS46 K123 | 1 |
| 2 | EB2/ED2 (400, 630 A) 4P | 1 |
| 3 | ZB2 (4P) | 1 |
| 4 | LG-B60-V2 P4 (LG-B60-V2R P4) | 1 |
| 5 | busbar | 4 |

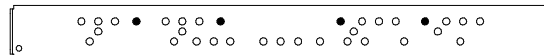
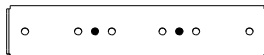
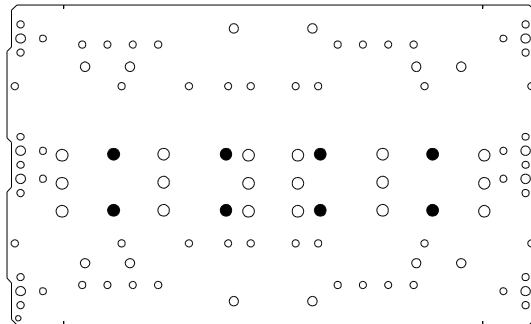
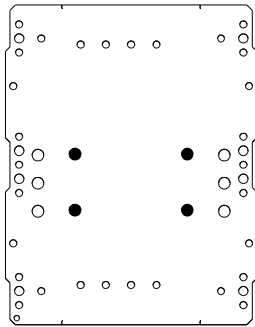
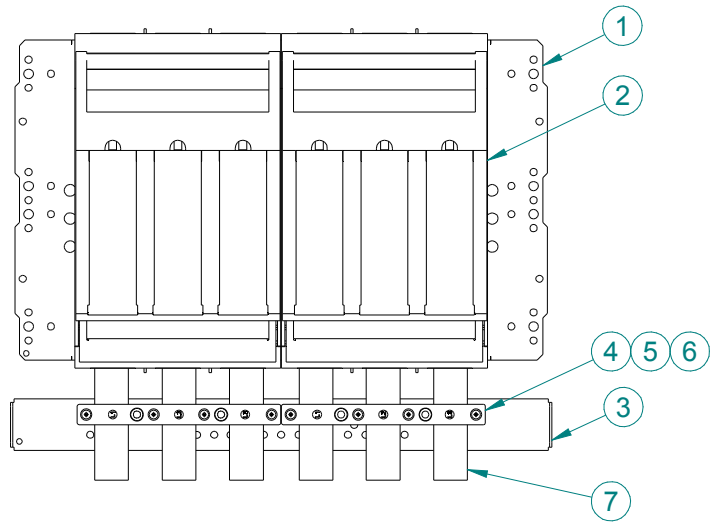
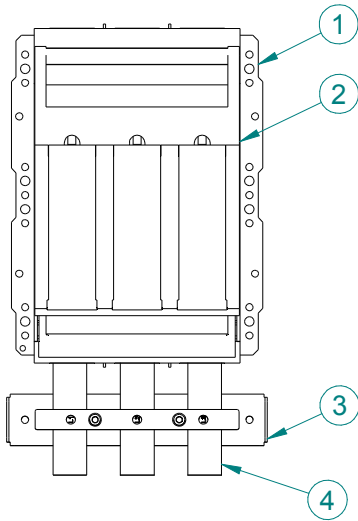
| No. | Type ETI | Pcs. |
|-----|---------------------------------|------|
| 1 | PM 2 ELS46 K123 | 1 |
| 2 | EB2/ED2 (400, 630 A) 4P | 1 |
| 3 | ZB2 (4P) | 1 |
| 4 | LG-B60-V2 P4 (LG-B60-V2R P4) | 1 |
| 5 | busbar | 4 |



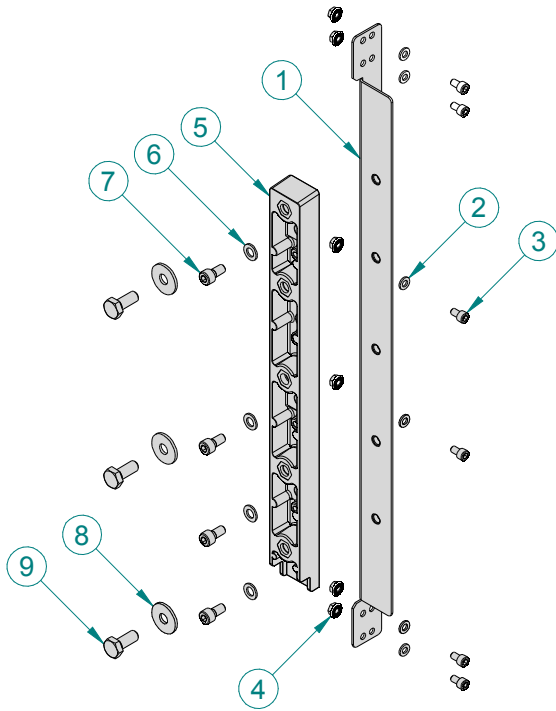
KVL-1 3P

| No. | Type ETI | Pcs. |
|-----|---------------------------------|------|
| 1 | PM 1 ELS46 K1 | 1 |
| 2 | KVL-1 3P | 1 |
| 3 | LG-B60-V1 P3 (LG-B60-V1R P3) | 1 |
| 4 | busbar | 3 |

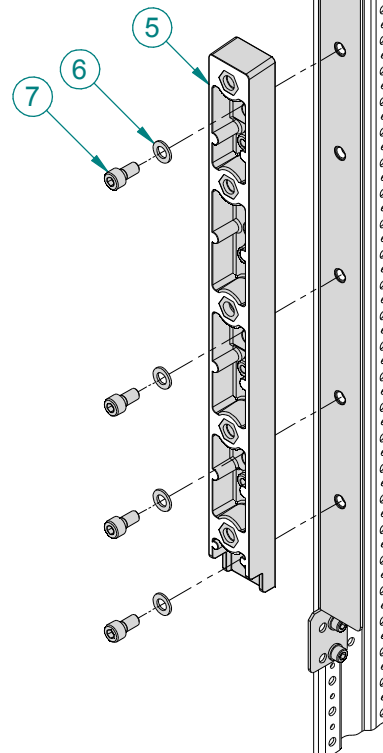
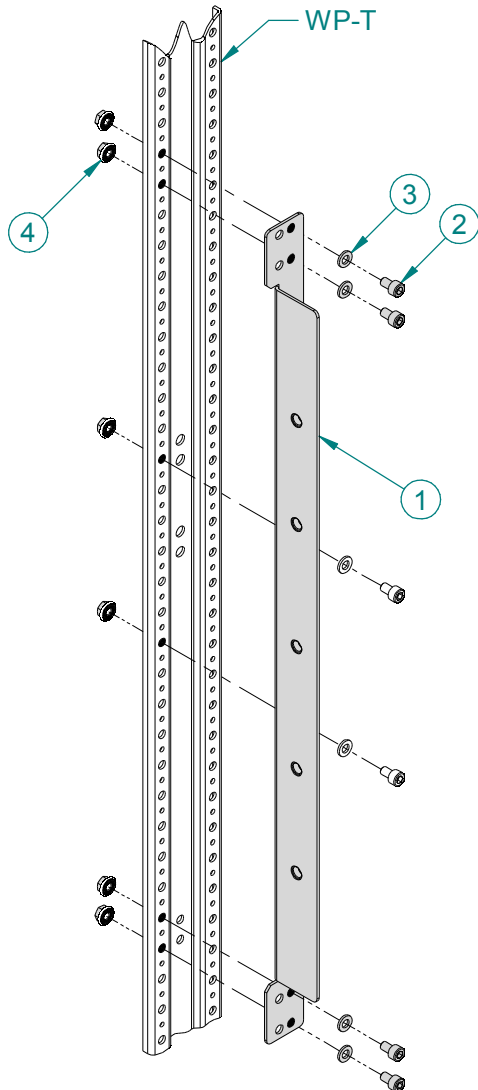
| No. | Type ETI | Pcs. |
|-----|---------------------------------|------|
| 1 | PM 2 ELS46 K123 | 1 |
| 2 | KVL-1 3P | 2 |
| 3 | LG-B60-V2 P3 (LG-B60-V2R P3) | 1 |
| 4 | BBS-60/3 | 1 |
| 5 | AS-SH 6x20 | 2 |
| 6 | AN-FSH 6 | 2 |
| 7 | busbar | 3 |



LG-T-B185-H P3 001341850



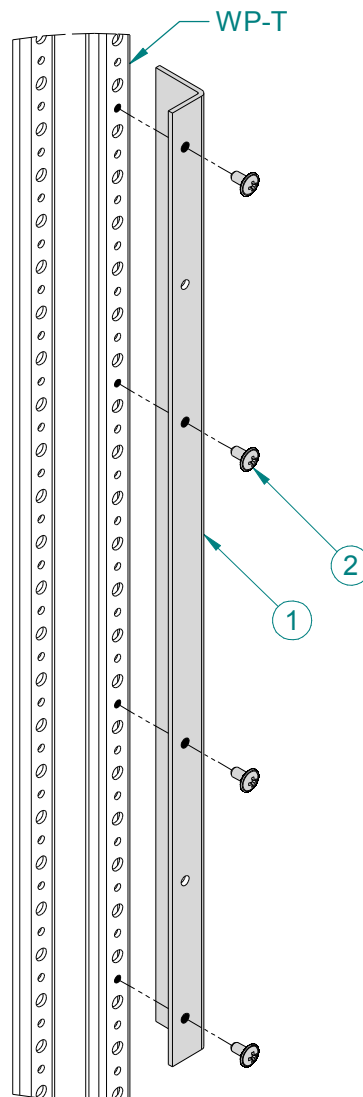
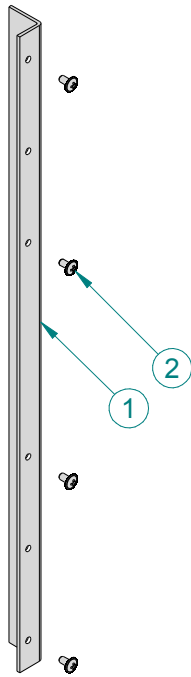
| LG-T-B185-H P3 001341850 | | | |
|--------------------------|------------------|------------------------------|------|
| No. | Type ETI | Name | Pcs. |
| 1 | LG-T-B185-H-P3-C | Support | 1 |
| 2 | AW-R 6 | Washer M6 DIN126 Zn | 6 |
| 3 | AS-SH 6x10 | Screw M6x10 DIN912 | 6 |
| 4 | AN-FSH 6 | Nut flange serrat DIN6923 Zn | 6 |
| 5 | POP 100/185 | Support | 1 |
| 6 | AW-R 8 | Washer M8 DIN126 Zn | 4 |
| 7 | AS-SH 8x16 | Screw M8x16 DIN912 | 4 |
| 8 | AW-RE 10 | Washer M10 DIN9021 Zn | 3 |
| 9 | AS-H 10x25 | Screw M10x25 DIN933 Zn | 3 |



ZP POP-WP

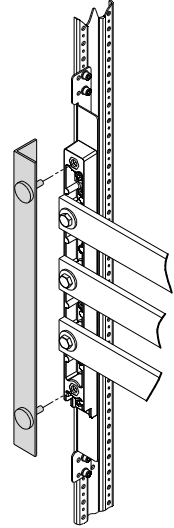
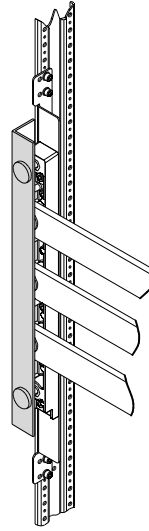
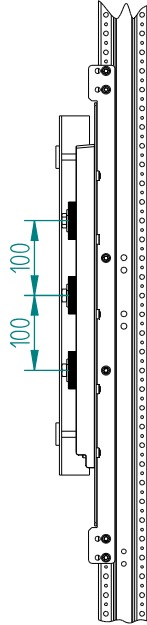
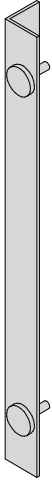
001342180

| ZP POP-WP 001342180 | | | |
|---------------------|-------------|---------------|------|
| No. | Type ETI | Name | Pcs. |
| 1 | ZP-POP-WP-C | Insulator | 1 |
| 2 | AST 4.8x9.5 | Tapping screw | 4 |



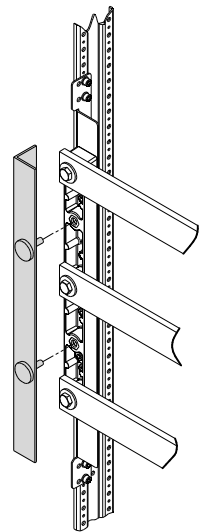
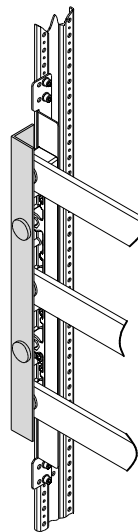
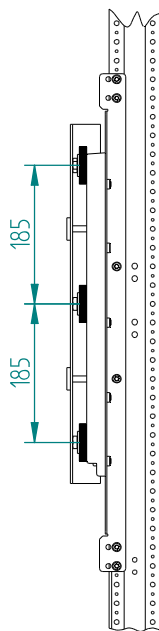
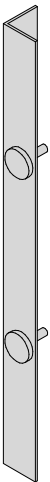
ZP POP 100

001691056

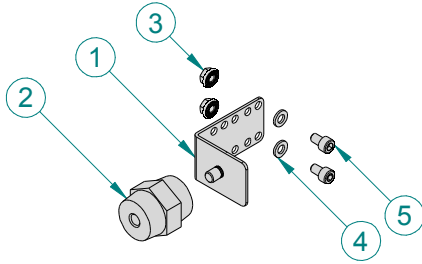


ZP POP 185

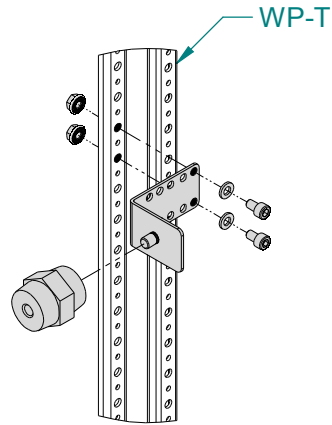
001691057



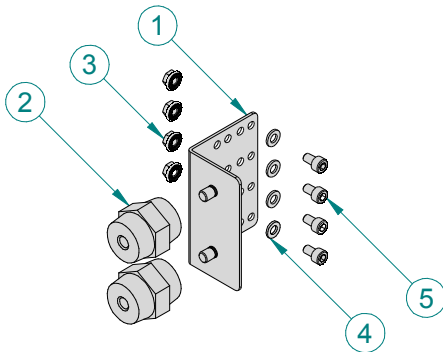
LG-T-INH1-A 001341851



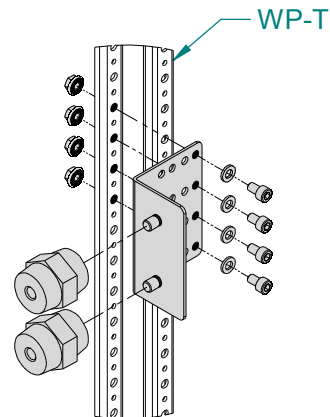
| LG-T-INH1-A 001341851 | | | |
|-----------------------|---------------|------------------------------|------|
| No. | Type ETI | Name | Pcs. |
| 1 | LG-T-INH1-A-C | Holder | 1 |
| 2 | INS 40840 | Insulator | 1 |
| 3 | AW-R 6 | Washer M6 DIN126 Zn | 2 |
| 4 | AS-SH 6x10 | Screw M6x10 DIN912 | 2 |
| 5 | AN-FSH 6 | Nut flange serrat DIN6923 Zn | 2 |

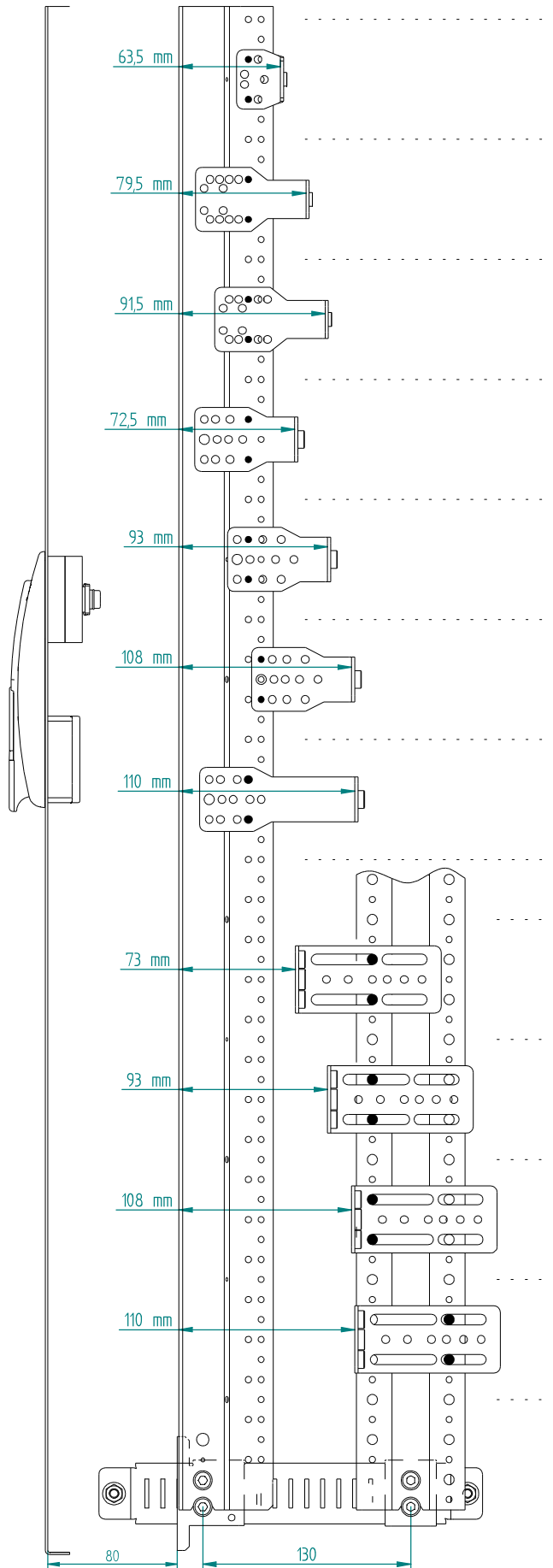


LG-T-INH2-A 001341852



| LG-T-INH2-A 001341852 | | | |
|-----------------------|---------------|------------------------------|------|
| No. | Type ETI | Name | Pcs. |
| 1 | LG-T-INH2-A-C | Holder | 2 |
| 2 | INS 40840 | Insulator | 2 |
| 3 | AW-R 6 | Washer M6 DIN126 Zn | 4 |
| 4 | AS-SH 6x10 | Screw M6x10 DIN912 | 4 |
| 5 | AN-FSH 6 | Nut flange serrat DIN6923 Zn | 4 |





| | |
|---------|--|
| LG-V | MODULAR DIN-RAIL DEVICES EB2/ED2 125 EB2/ED2 160/250 KVL 00 |
| LG-V5 | LBS 160 |
| LG-V5 | LBS 250 |
| LG-V6-B | KVL 1 |
| LG-V6-B | KVL 2, KVL 3 |
| LG-V6-B | EB2 400/630 |
| LG-V6-D | LBS 400/630 |

| | |
|---------|--------------|
| LG-T6-A | KVL 1 |
| LG-T6-A | KVL 2, KVL 3 |
| LG-T6-A | EB2 400/630 |
| LG-T6-A | LBS 400/630 |