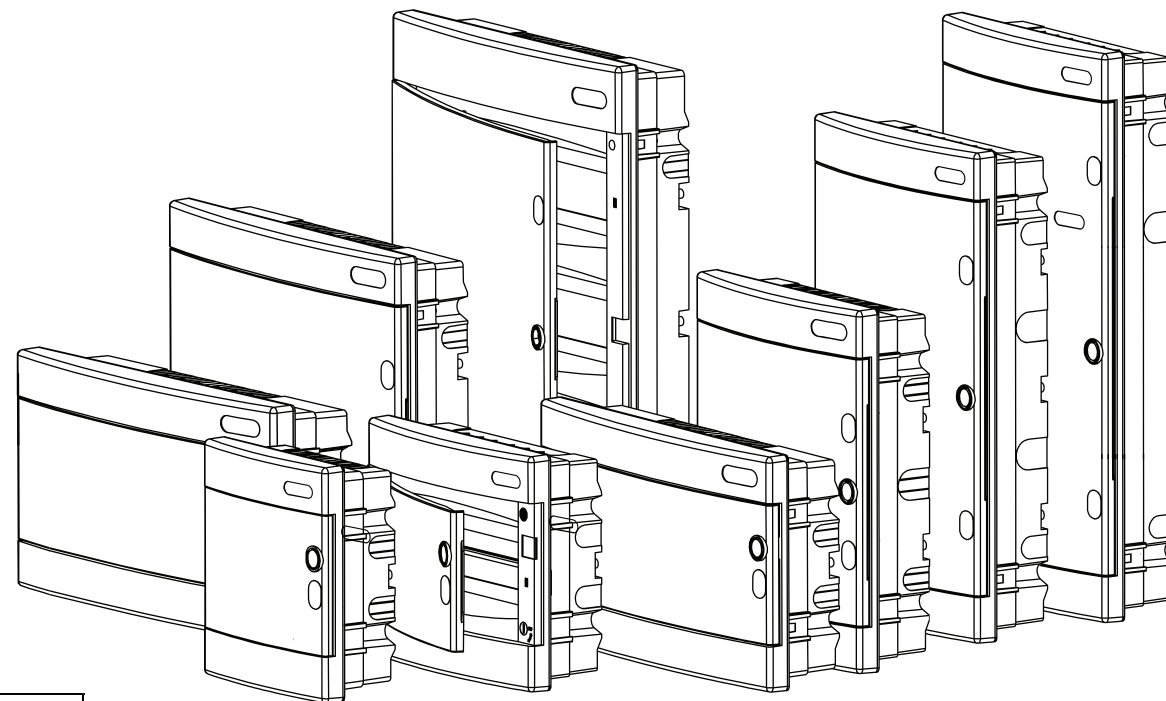
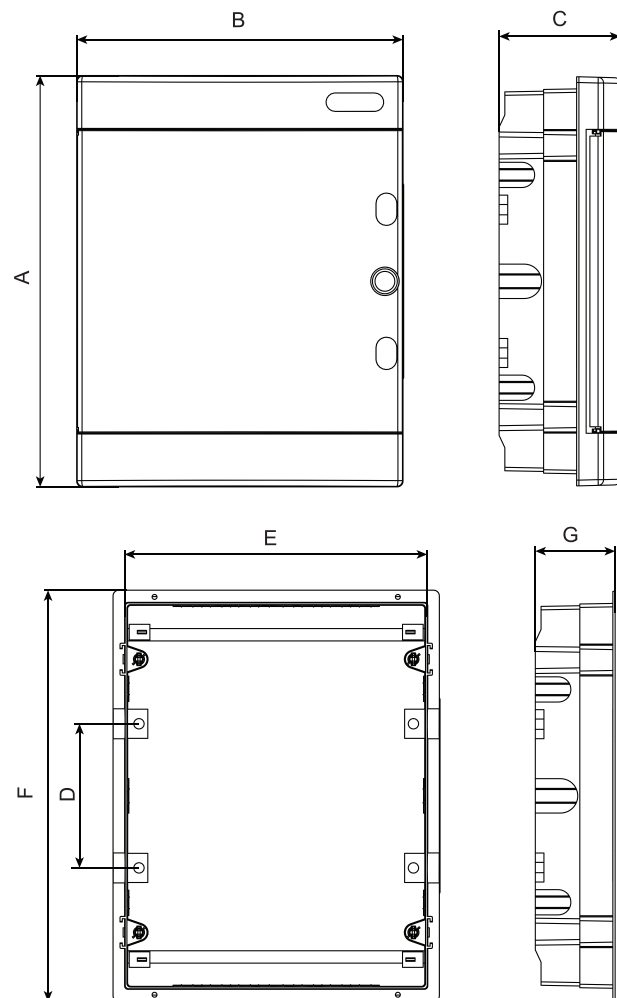


ETI



DIN RAIL MOUNTING	A	B	C	D	E	F	G	Pde	Static loa
ECM4PT / ECM4PO	232 mm	139 mm	99 mm	-	123 mm	216 mm	69 mm	10 W	520 g
ECM8PT / ECM8PO	232 mm	211 mm	99 mm	-	201 mm	212 mm	68 mm	16 W	1040 g
ECM12PT / ECM12PO	232 mm	283 mm	106 mm	-	273 mm	212 mm	68 mm	25 W	1560 g
ECM24PT / ECM24PO	357 mm	283 mm	106 mm	125 mm	273 mm	336 mm	68 mm	30 W	1560 g
ECM36PT / ECM36PO	482 mm	283 mm	106 mm	125 mm	273 mm	462 mm	68 mm	30 W	1560 g
ECM48PT / ECM48PO	676 mm	283 mm	106 mm	125 mm	273 mm	656 mm	68 mm	30 W	1560 g
ECM 1x18PT / ECM 1x18PO	232 mm	392 mm	106 mm	-	382 mm	212 mm	68 mm	25 W	2340 g
ECM 2x18PT / ECM 2x18PO	357 mm	392 mm	106 mm	125 mm	382 mm	336 mm	68 mm	30 W	2340 g
ECM 3x18PT / ECM 3x18PO	522 mm	392 mm	106 mm	125 mm	382 mm	502 mm	68 mm	35 W	2340 g
ECM 1x24PT / ECM 1x24PO	255 mm	500 mm	106 mm	125 mm	489 mm	235 mm	68 mm	30 W	2340 g

For indoor locations ($\leq 50\%$ RH at max. $+40^{\circ}\text{C}$ or for example 90% RH at $+20^{\circ}\text{C}$)
 Temperature range: -25°C ... $+60^{\circ}\text{C}$, Rating Voltage AC 400 V; IP40; Class II; IK07
 According to: IEC 60670; IEC 62208

ETI Elektroelement d.o.o
 Obrezija 5
 1411 Izlake
 Slovenia

ETI Polam Sp.z.o.o.
 ul. Jana Pawła II 18
 06-100 Pułtusk
 Polska

