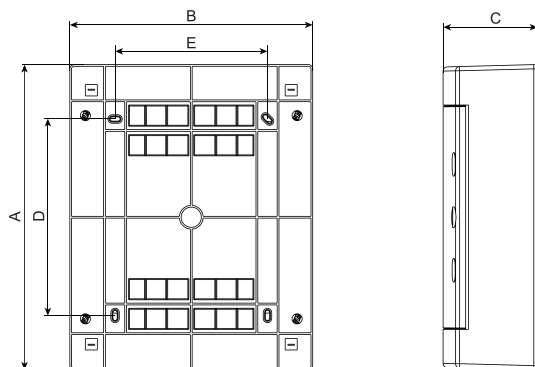
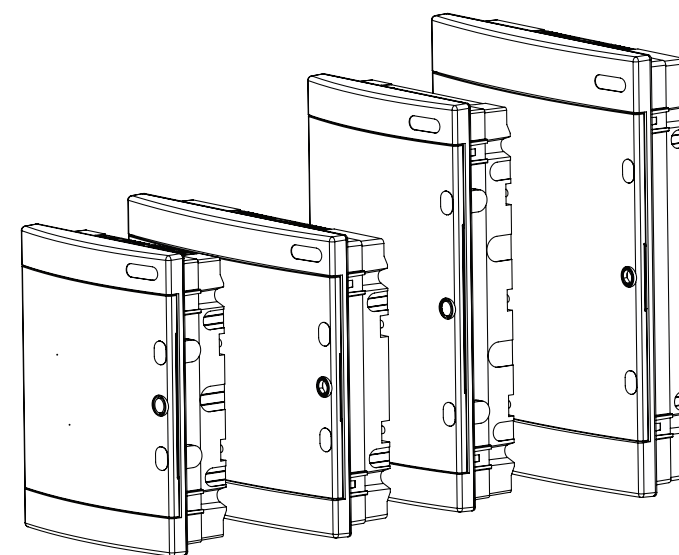
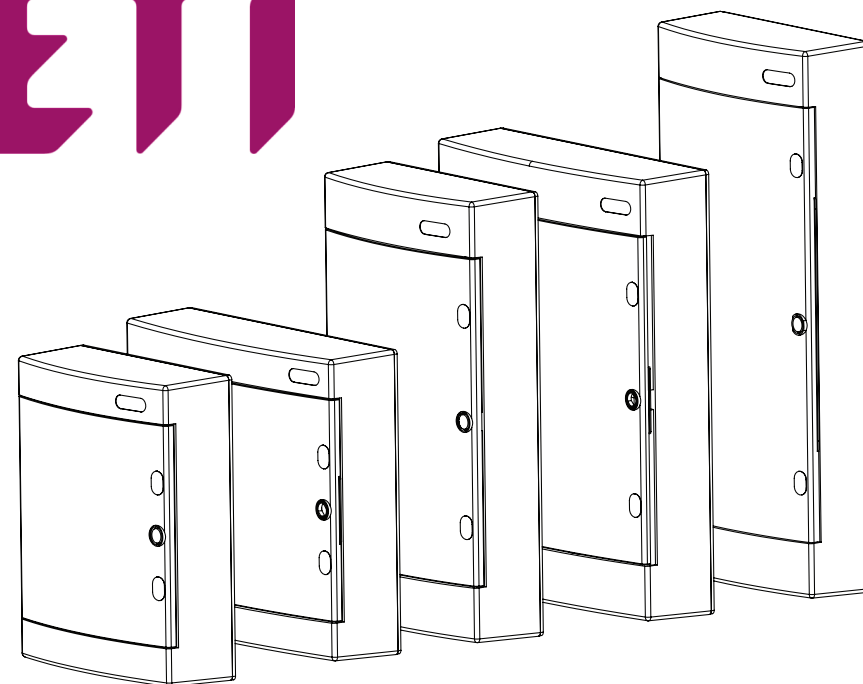


DIN RAIL MOUNTING	A	B	C	D	E	F	G	Pde	Static load
ECM24PT / ECM24PO	357 mm	283 mm	106 mm	125 mm	273 mm	336 mm	68 mm	> 30 W	1560 g
ECM36PT / ECM36PO	482 mm	283 mm	106 mm	125 mm	273 mm	462 mm	68 mm	> 30 W	1560 g
ECM 2x18PT / ECM 2x18PO	357 mm	392 mm	106 mm	125 mm	382 mm	336 mm	68 mm	> 30 W	2340 g
ECM 3x18PT / ECM 3x18PO	522 mm	392 mm	106 mm	125 mm	382 mm	502 mm	68 mm	> 35 W	2340 g



DIN RAIL MOUNTING	A	B	C	D	E	Pde	Static load
ECT24PT / ECT24PO	361 mm	287 mm	112 mm	232 mm	180 mm	> 30 W	1560 g
ECT36PT / ECT36PO	485 mm	287 mm	112 mm	357 mm	180 mm	> 30 W	1560 g
ECT48PT / ECT48PO	652 mm	287 mm	112 mm	482 mm	180 mm	> 35 W	1560 g
ECT 2x18PT / ECT 2x18PO	361 mm	396 mm	112 mm	232 mm	289 mm	> 30 W	2340 g
ECT 3x18PT / ECT 3x18PO	526 mm	396 mm	112 mm	357 mm	289 mm	> 35 W	2340 g



For indoor locations ( $\leq 50\%$  RH at max.  $+40^\circ\text{C}$  or for example  $90\%$  RH at  $+20^\circ\text{C}$ )  
 Temperature range:  $-25^\circ\text{C}$  ...  $+60^\circ\text{C}$ , Rating Voltage AC 400 V; IP40; Class II; IK08  
 According to: IEC 60670; IEC 62208

ETI Elektroelement d.o.o  
 Obrezija 5  
 1411 Izlake  
 Slovenia

ETI Polam Sp.z.o.o.  
 ul. Jana Pawła II 18  
 06-100 Pułtusk  
 Polska

Accessories: Must be ordered separately

